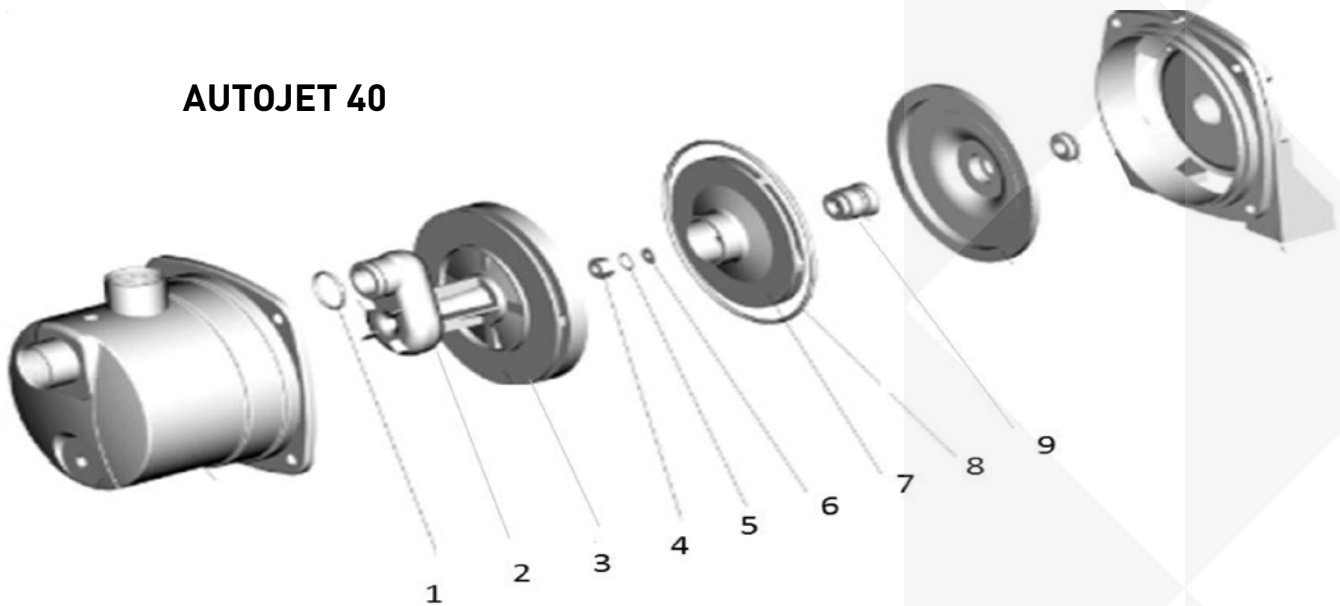


FLOTEC SPARE PART KITS & EXPLODED DRAWINGS

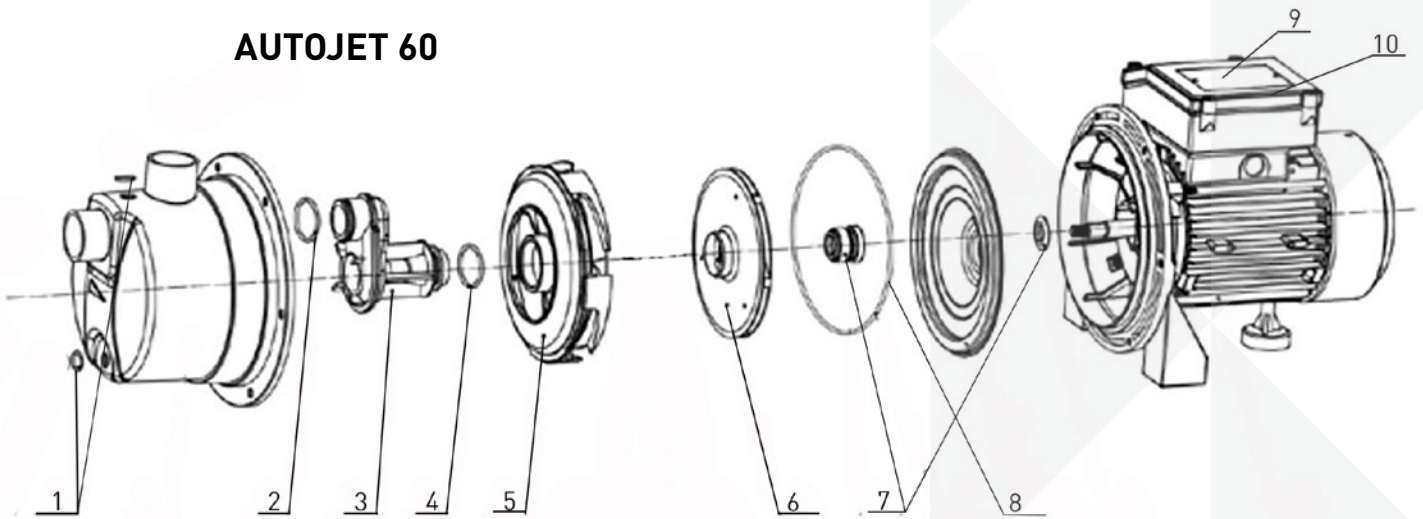
AUTOJET 40



Drawings are indicative only, product may appearance may change slightly.

AUTOJET 40 SPARE PARTS				
PART NO.	DESCRIPTION	REF NO.	COMPONENT DESCRIPTION	QTY
801299	Jet & Venturi Kit	1	O-Ring Seal	1
		2	Venturi	1
801298	Impeller Kit	3	Diffuser	1
		4	Hexangular Nut	1
		5	Spring Washer	1
		6	Plain Cushion	1
		7	Impeller	1
801297	Seal Kit	8	O--Ring Seal	1
		9	Mechanical Seal	1

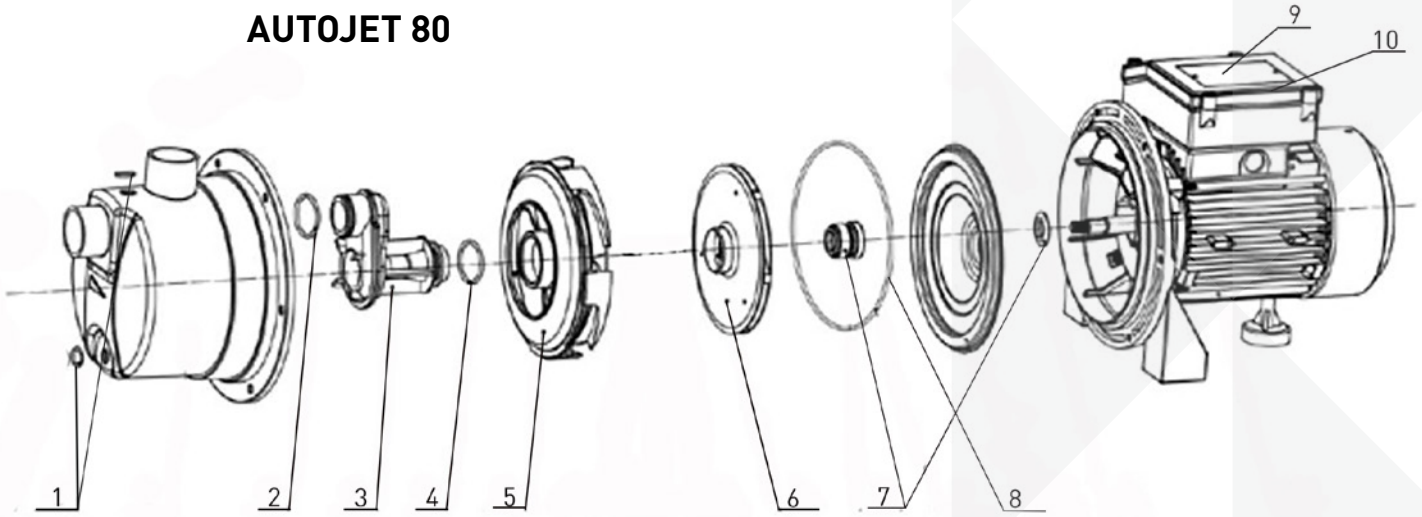
AUTOJET 60



Drawings are indicative only, product may appearance may change slightly.

AUTOJET 60 SPARE PARTS				
PART NO.	DESCRIPTION	REF NO.	COMPONENT DESCRIPTION	QTY
707688K	Seal Kit	7	Mechanical Seal	1
		8	Casing Seal	1
		2	Injector Seal 1	1
		4	Injector Seal 2	1
		1	Priming Plug Seals	2
707689K	Hydraulic Kit	3	Injector	1
		5	Diffuser	1
		6	Impeller	1
707690K	Capacitor Kit	9	Capacitor	1
		10	Capacitor Cover Seal	1

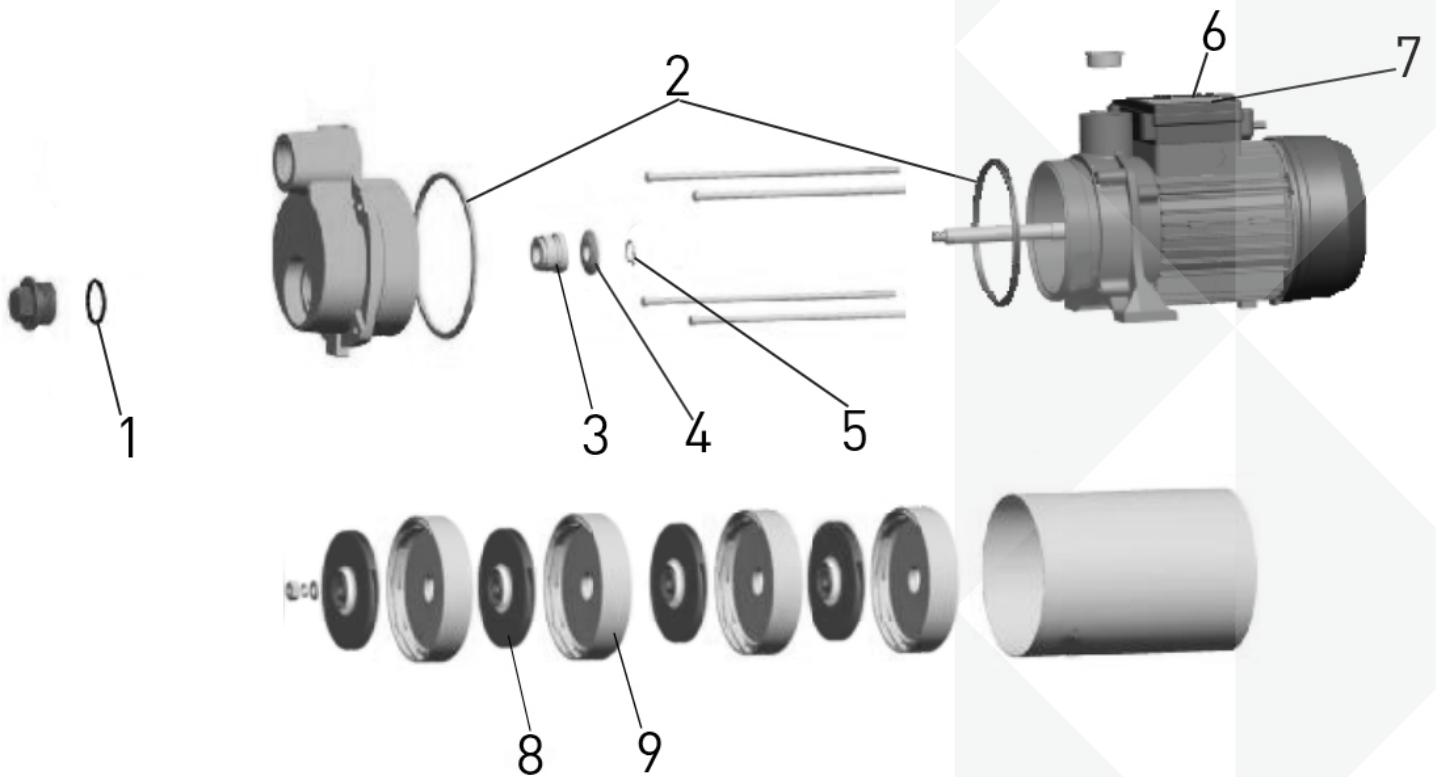
AUTOJET 80



Drawings are indicative only, product may appearance may change slightly.

AUTOJET 80 SPARE PARTS				
PART NO.	DESCRIPTION	REF NO.	COMPONENT DESCRIPTION	QTY
707691K	Seal Kit	7	Drain Plug Seal	1
		8	Injector Seal	1
		2	Mechanical Seal	1
		4	Water Proof Gland	1
		1	Casing Seal	1
707692K	Hydraulic Kit	3	Injector	1
		5	Diffuser	1
		6	Impeller	1
707693K	Capacitor Kit	9	Capacitor	1
		10	Seal	1

MULTIMAX 120



Drawings are indicative only, product may appearance may change slightly.

MULTIMAX 120 SPARE PARTS				
PART NO.	DESCRIPTION	REF NO.	COMPONENT DESCRIPTION	QTY
707694K	Seal Kit	1	Drain Seal	1
		2	Casing Seal	2
		5	Shaft Seal	1
		3	Mechanical Seal	1
		4	Casing Seal	1
707695K	Hydraulic Kit	8	Impeller	4
		9	Diffuser	4
707696K	Capacitor Kit	6	Capacitor	1
		7	Capacitor Cover Seal	1



Head Office Pentair AU/NZ: 1-21 Monash Drive, Dandenong South, VIC 3175 , Australia. www.pentair.com.au

All Pentair trademarks and logos are owned by Pentair, Ltd. All other brand or product names are trademarks or registered marks of their respective owners. Because we are continuously improving our products and services, Pentair reserves the right to change specifications without prior notice.

Pentair is an equal opportunity employer.

ABN 27 004 856 204 © 2012 Pentair, Ltd. All Rights Reserved.

© 2016 Pentair

L100356X 0817