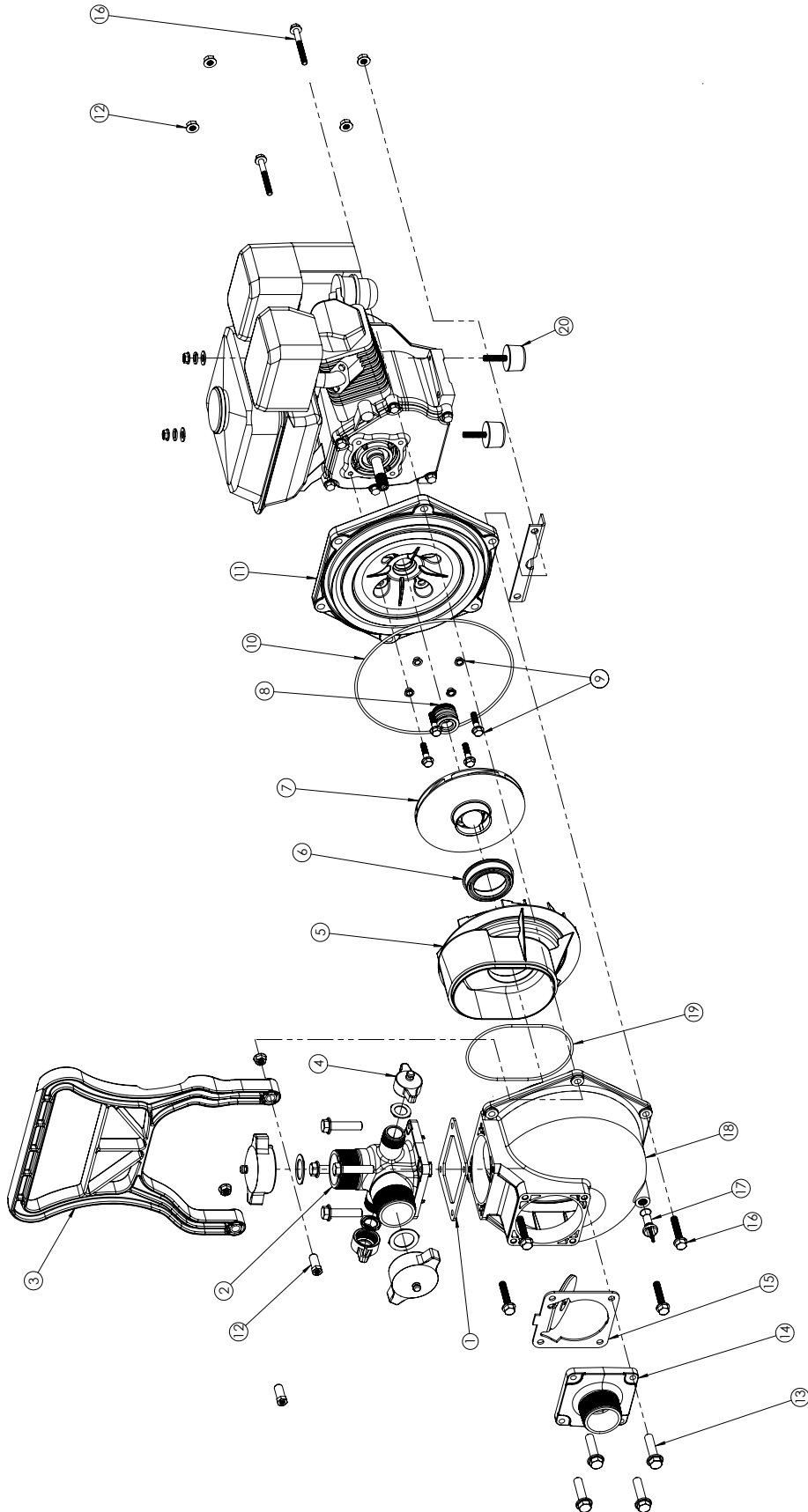


BlazeMaster Single Stage Models

ENGINE DRIVE



Drawings are indicative only, product appearance may change slightly.

PARTS LIST TABLE

BlazeMaster Single Stage Models

| MODEL PART NUMBER | BLAZEMASTER SINGLE | | |
|----------------------|--------------------|-------|------|
| | B48Y | B90H | B70Y |
| B48YE | B90HE | B70YE | |
| B55BS | | B10YE | |
| B55H | | | |
| B65BS | | | |
| B65H | | | |
| B65HE | | | |

| REF NO. | COMPONENT DESCRIPTION | PART NO. | | PART NO. | | PART NO. | |
|---------|-------------------------------------|----------|-----|----------|-----|----------|-----|
| 1 | GASKET - DISCHARGE | 510960K | 1PC | 510960K | 1PC | 510960K | 1PC |
| 2 | FLANGE - DISCHARGE 1½" BSP | 410933G | 1PC | - | 1PC | - | 1PC |
| | FLANGE - DISCHARGE 2" BSP | - | 1PC | 410943G | 1PC | 410943G | 1PC |
| 3 | HANDLE | 305590 | 1PC | - | 1PC | - | 1PC |
| 4 | CAP & WASHER 1"BSP | 800111 | 2PC | 800111 | 2PC | 800111 | 2PC |
| | CAP & WASHER 1 1/4"BSP | 800112 | 2PC | - | 2PC | - | 2PC |
| | CAP & WASHER 2" BSP | 800382 | 2PC | 800382 | 2PC | 800382 | 2PC |
| 5 | DIFFUSER | 411420 | 1PC | 411420 | 1PC | 411420 | 1PC |
| 6 | WEAR RING | 510970K | 1PC | 510980K | 1PC | 510980K | 1PC |
| 7 | IMPELLER- 5/8" SHAFT | 511070K | 1PC | - | 1PC | - | 1PC |
| | IMPELLER - 1" SHAFT | - | 1PC | 511210K | 1PC | 511210K | 1PC |
| 8 | MECHANICAL SEAL | 801428 | 1PC | 700274K | 1PC | 700274K | 1PC |
| | OVERHAUL KIT (1,4,8,10,15 &19) | 801244 | 1PC | 801244 | 1PC | - | 1PC |
| | VITON SEAL & O-RING KIT | 801364K | 1PC | 801365K | 1PC | 801365K | 1PC |
| 9 | BOLT & SEAL KIT (PK/12) | 800273K | 1PC | 800273K | 1PC | 800273K | 1PC |
| 10 | O-RING CASING | 702216K | 1PC | 702216K | 1PC | 702216K | 1PC |
| 11 | YOKE ¾" BLAZEMASTER | 305494G | 1PC | - | 1PC | - | 1PC |
| | YOKE 1" BLAZEMASTER | - | 1PC | 305503G | 1PC | 305503G | 1PC |
| 12 | NUTS - CASING (PK/12) | 800092K | 6PC | 800092K | 6PC | 800092K | 6PC |
| 13 | SCREW M8 (PK/8) | 702771K | 8PC | 702771K | 8PC | 702771K | 8PC |
| 14 | FLANGE - SUCTION 1 1/2" BSP (5.5HP) | 410853G | 1PC | - | 1PC | - | 1PC |
| | FLANGE - SUCTION 2" BSP (Larger) | 410863G | 1PC | 410863G | 1PC | 410863G | 1PC |
| 15 | GASKET - CLACKER ASSY. | 511150 | 1PC | 511150 | 1PC | 511150 | 1PC |
| 16 | CASING BOLTS | 702639 | 1PC | 702639 | 1PC | 702639 | 1PC |
| 17 | PLUG ¼" DRAIN (INC. O-RING) | 800222 | 1PC | 800222 | 1PC | 800222 | 1PC |
| 18 | CASING | 305483G | 1PC | 305483G | 1PC | 305483G | 1PC |
| 19 | O-RING DIFFUSER | 705901K | 1PC | 705901K | 1PC | 705901K | 1PC |
| 20 | ANTI VIBRATION FEET (SET/2) | 801356K | 1PC | - | 1PC | - | 1PC |
| 21 | BRACKET SUPPORT | 608960 | 1PC | - | 1PC | - | 1PC |
| NS | ROLL FRAME (SMALL) | 801372K | 1PC | - | 1PC | - | 1PC |
| NS | ROLL FRAME (LARGE) | - | 1PC | 801373K | 1PC | 801373K | 1PC |
| NS | HOSE KIT (1 1/2" SUCTION) | 701124 | 1PC | - | 1PC | - | 1PC |
| NS | HOSE KIT (2" SUCTION) | 701126 | 1PC | 701126 | 1PC | 701126 | 1PC |

ENGINE DRIVE