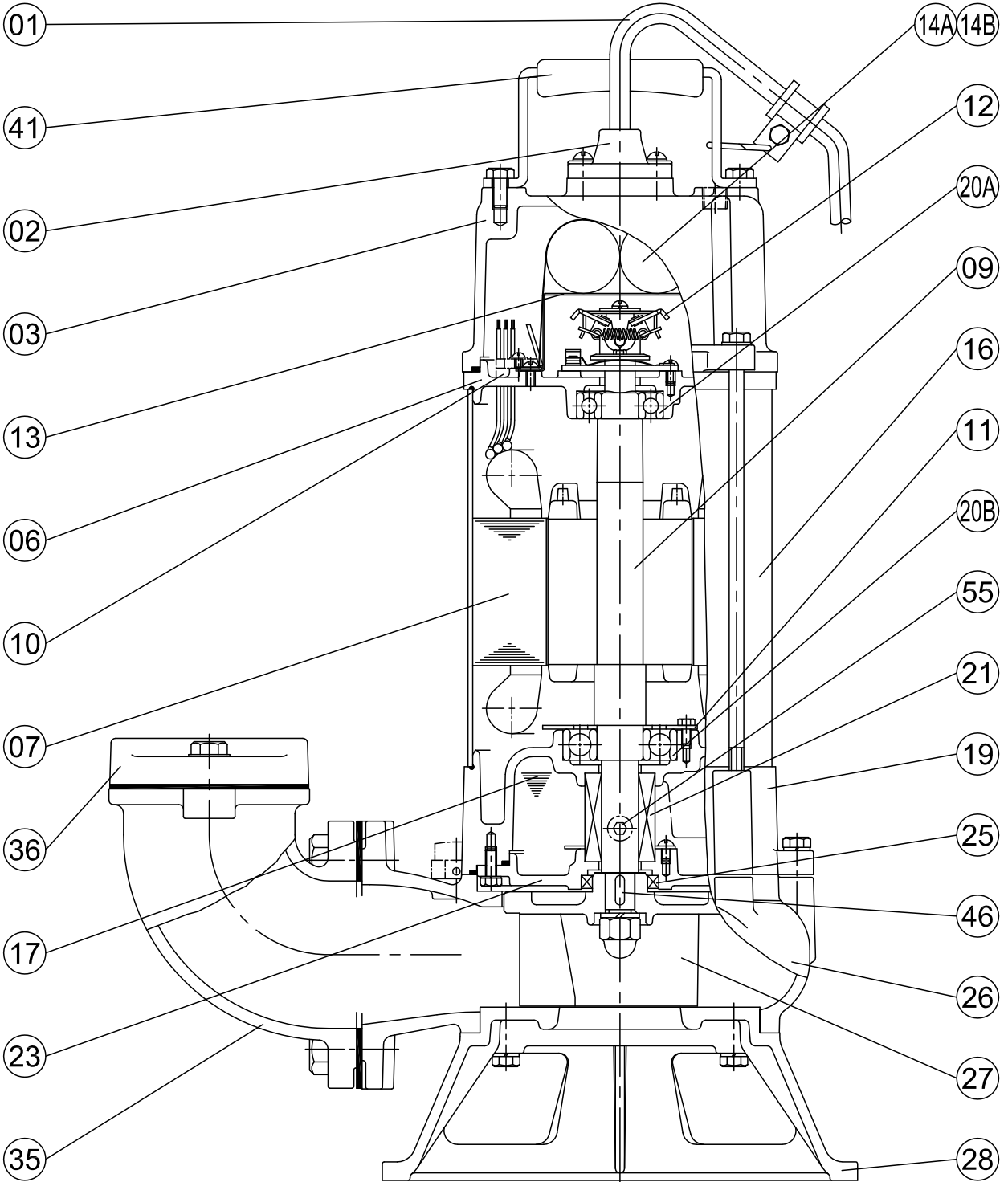


CSM850CS / CT Models



SUBMERSIBLE

PARTS LIST TABLE

CSM850CS / CT Models

MODEL	CSM850CS	CSM850CT
PART NUMBER	CSM850CS	CSM850CT

REF NO.	COMPONENT DESCRIPTION	PART NO.		PART NO.	
1	CABLE ASSEMBLY	707016	1PC	707017	1PC
21	MECHANICAL SEAL	707023	1PC	707023	1PC
25	LIP SEAL	707028	1PC	707028	1PC
	GASKET & O'RING KIT	707033	1PC	707033	1PC
27	IMPELLER	707039	1PC	707039	1PC
	IMPELLER NUT & SPRING WASHER	707044	1PC	707044	1PC
10	AUTO CUT OUT SWITCH	707049	1PC	707050	1PC
14B	CAPACITOR (START)	707053	1PC	N/A	1PC
14A	CAPACITOR (RUN)	707056	1PC	N/A	1PC
12	CENTRIGUGAL SWITCH	707058	1PC	N/A	1PC
26	PUMP CASING	707062	1PC	707062	1PC
28	BASE PLATE / WEAR COVER	B28-3511-0	1PC	B28-3511-0	1PC