

STA-RITE®

CSM300XGT

CAST IRON GRINDER SUBMERSIBLE DRAINAGE PUMP



CSM300XGT



FEATURES

- Open grinder impeller.
- SiC / SiC mechanical seal.
- Auto cut out switch.
- Thermal overload protection.
- Moisture sealed cable inlet.
- Max. head - 25m.
- Max. flow - 335lpm.

APPLICATIONS

- Dairy pit drainage.
- Raw sewage disposal.
- Low pressure sewage.
- Grey water.
- Water with stringy material.

PUMP CONSTRUCTION MATERIALS

Vertical, single-stage, submersible drainage pump. Open cast iron grinder impeller with hardend 440C SS grinder assembly. Cast iron motor and pump casing with flanged 1¼" BSP (female) discharge port. Pump feet are 304SS with rubber face.

- Pump casing:** Cast iron.
- Impeller:** Cast iron with hardened 440C SS grinder assembly.
- Motor shaft:** 420SS.
- Mechanical seal:** SiC/SiC mechanical seal with oil chamber and primary lip seal.
- IP Rating:** IP68.

OPERATING CONDITIONS

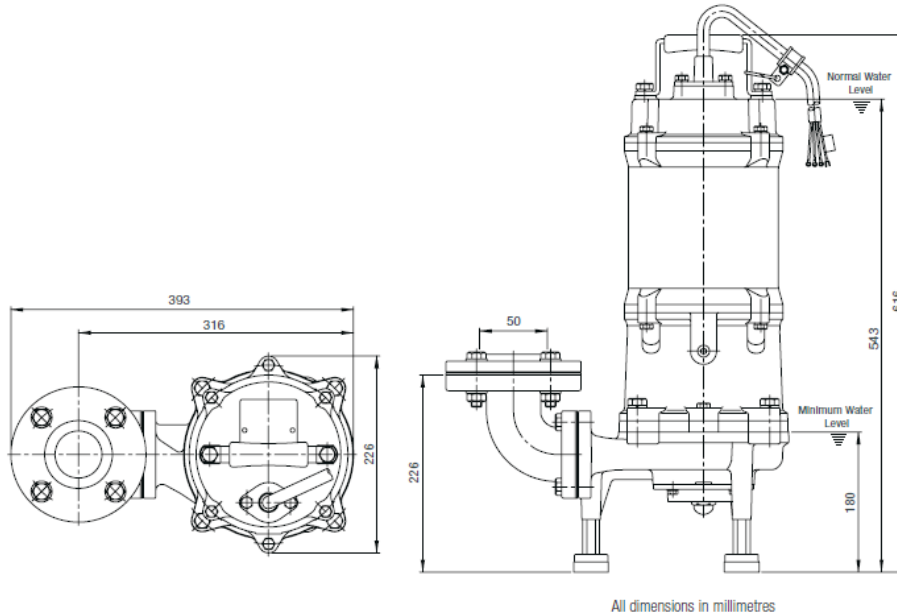
Drainage pump for the disposal of waste water, including dairy pit waste, raw sewage and grey water. Install pump vertically (hose connection possible).

ELECTRICAL DATA

Type	Type of current	Voltage ± 10%	Frequency Hz	Motor rating kW	RPM min	Current Ampere	Motor protection	Insulation class	Cable quality	Cable length
				P1						
CSM300XGT	3-phase	400	50	2.2	2880	5.3 A	Auto	F	H07RN-F	10 m

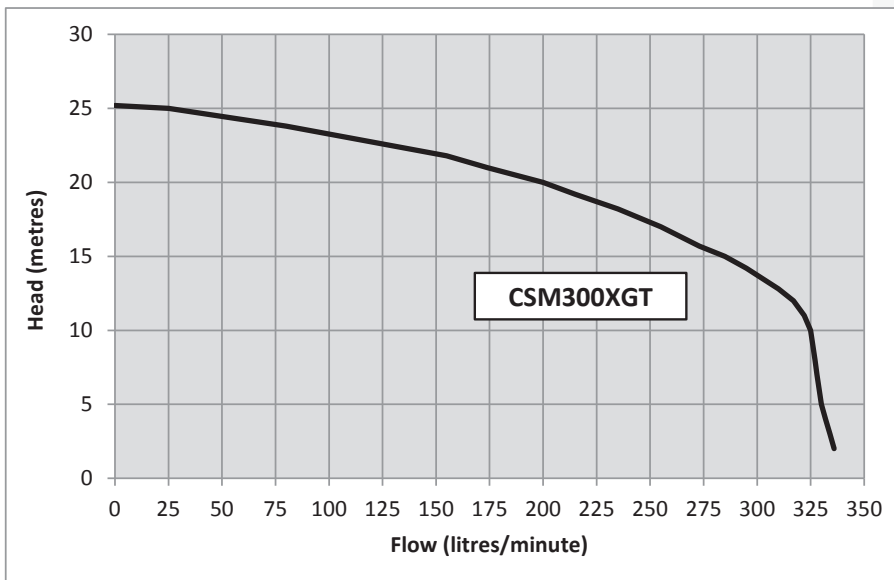
DIMENSIONS

Type	Maximum L x W x H	Weight approx.	Discharge branch	Free passage	Packed L x W x H	Packed weight	Continuous operating temperature range	Intermittent temperature maximum
CSM300XGT	226 x 393 x 616 mm	51 kg	2" BSP (female)	-	-	-	1°C - 40°C	50°C



PERFORMANCE

Type	P/No	Delivery head [m]	5	10	15	20	25
CM300XGT	CSM300XGT	Flow rate capacity [lpm]	330	325	285	200	25



Head Office Pentair AU/NZ: 1-21 Monash Drive, Dandenong South, VIC 3175, Australia. www.pentair.com.au

All Pentair trademarks and logos are owned by Pentair, Ltd. All other brand or product names are trademarks or registered marks of their respective owners.

Because we are continuously improving our products and services, Pentair reserves the right to change specifications without prior notice.

Pentair is an equal opportunity employer.

ABN 27 004 856 204 © 2012 Pentair, Ltd. All Rights Reserved.

© 2015 Pentair