

**STA-RITE®**
**CSM850C**
**CAST IRON CUTTER SUBMERSIBLE DRAINAGE PUMP**

32mm FREE PASSAGE



CSM850C


**FEATURES**

- 32mm free passage.
- Semi open cutter impeller.
- SiC / SiC mechanical seal.
- Auto cut out switch.
- Thermal overload protection.
- Moisture sealed cable inlet.
- Max. head - 17m.
- Max. flow - 885lpm.

**APPLICATIONS**

- Disposal of mildly contaminated rain, waste and ground water such as from a pit, including dairy pit waste.
- Dewatering (clean water).
- Water treatment circulation.
- Grey water.
- Water with stringy material.

**PUMP CONSTRUCTION MATERIALS**

Vertical, single-stage, submersible with 32mm free passage. Semi open cast iron cutter impeller with embedded tungsten blade. Cast iron casing and foot with 3" BSP (female) discharge port. 304SS motor casing.

- Pump casing:** Cast iron.
- Impeller:** Cast iron with tungsten cutting blade.
- Motor shaft:** 403SS.
- Mechanical seal:** Carbon ceramic mechanical seal with oil chamber and primary lip seal.
- IP Rating:** IP68.

**OPERATING CONDITIONS**

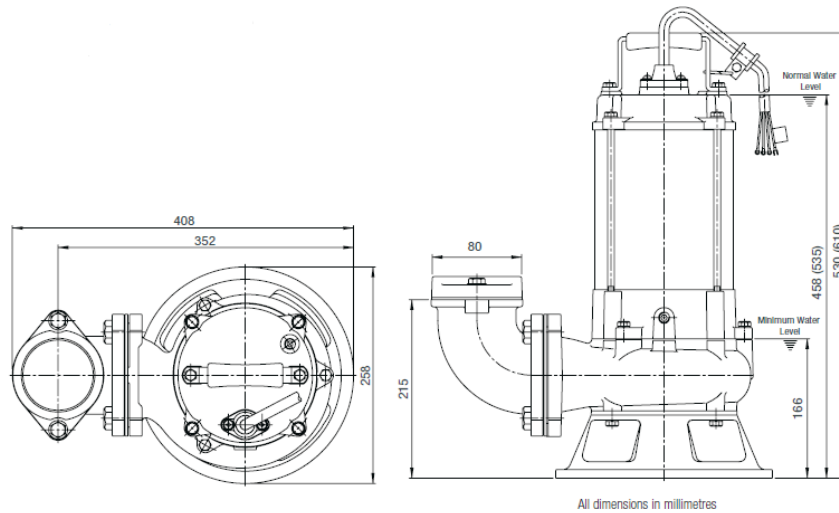
Drainage pump for the disposal of waste water, including rainwater, mildly contaminated waste and ground water containing particles up to 32mm. Install pump vertically (hose connection possible).

## ELECTRICAL DATA

| Type     | Type of current | Voltage ± 10% | Frequency Hz | Motor rating kW | RPM min | Current ampere | Motor protection | Insulation class | Cable quality | Cable length |
|----------|-----------------|---------------|--------------|-----------------|---------|----------------|------------------|------------------|---------------|--------------|
|          |                 |               |              | P1              |         |                |                  |                  |               |              |
| CSM850CS | 1-phase         | 230           | 50           | 1.5             | 2850    | 9.6 A          | Auto             | B                | H07RN-F       | 10 m         |
| CSM850CT | 3-phase         | 400           | 50           | 1.5             | 2850    | 3.4 A          | Auto             | B                | H07RN-F       | 10 m         |

## DIMENSIONS

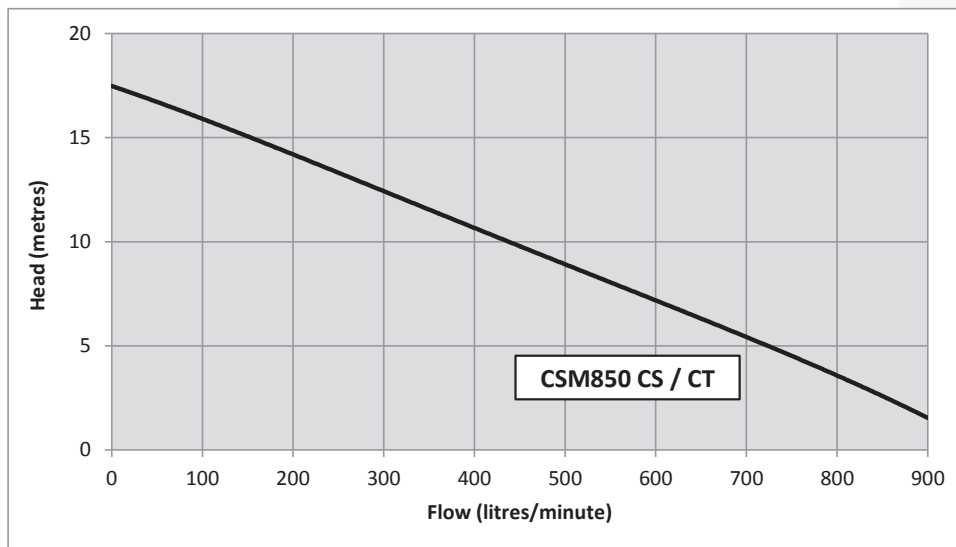
| Type    | Maximum L x W x H  | Weight approx. | Discharge branch | Free passage | Packed L x W x H   | Packed weight | Continuous operating temperature range | Intermittent temperature maximum |
|---------|--------------------|----------------|------------------|--------------|--------------------|---------------|--|----------------------------------|
| CSM850C | 258 x 408 x 610 mm | 38 kg          | 3" BSP (female)  | 25 mm        | 435 x 290 x 680 mm | 46kg          | 1°C - 40°C                             | 50°C                             |



Single phase height in brackets

## PERFORMANCE

| Type    | P/No          | Delivery head [m]        | 1 | 2 | 4   | 6   | 8   | 10  | 12  | 14  | 16 |
|---------|---------------|--------------------------|---|---|-----|-----|-----|-----|-----|-----|----|
| CSM850C | CSM850CS / CT | Flow rate capacity [lpm] | - | - | 788 | 683 | 533 | 423 | 322 | 200 | 75 |



Head Office Pentair AU/NZ: 1-21 Monash Drive, Dandenong South, VIC 3175, Australia. [www.pentair.com.au](http://www.pentair.com.au)

All Pentair trademarks and logos are owned by Pentair, Ltd. All other brand or product names are trademarks or registered marks of their respective owners.

Because we are continuously improving our products and services, Pentair reserves the right to change specifications without prior notice.

Pentair is an equal opportunity employer.

ABN 27 004 856 204 © 2012 Pentair, Ltd. All Rights Reserved.

© 2015 Pentair