

ONGA®

ENVIROMASTER

VARIABLE SPEED DOMESTIC PRESSURE PUMP
HORIZONTAL MULTISTAGE PUMP



Enviromaster CPS10 120/60



FEATURES

Variable frequency drive provides a reliable and automatic constant pressure system with loss of prime protection.

Reduced running speeds for energy efficiency and lower running costs.

Fully adjustable settings to suit a range of applications.

Stainless steel body provides strength and superior protection against corrosion.

Precision moulded internals for high efficiency and durability.

Inbuilt thermal overload.

Max. head - 60m.

Max. flow - 100lpm.

APPLICATIONS

- Domestic pressure system.
- Pressure boosting.
- Irrigation and garden water supply.
- Water transfer.

PUMP INFORMATION

Horizontal, multistage, surface mounted pump with closed impellers for pumping debris free water, integrated with a cool running Totally Enclosed Fan Cooled motor with inbuilt thermal overload.

OPERATING CONDITIONS

Suitable for pumping clean non-aggressive liquids without solids or fibres in suspension.

Fluid:	Water.
Maximum water temperature:	40°C.
Minimum water temperature:	1°C.
Maximum ambient temperature:	40°C.
Maximum working pressure:	700kPa.

SCOPE OF SUPPLY

Enviromaster (P4700000)

Pump with variable frequency drive.

Enviromaster kit (P470000K)

Pump with variable frequency drive, five-way tee, pressure transducer and 8 litre pressure tank.

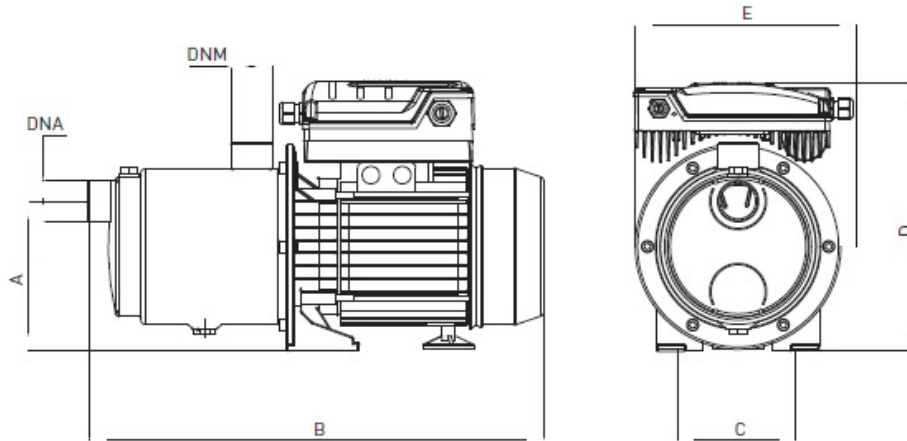


ELECTRICAL DATA

Type	Type of current	Voltage $\pm 10\%$	Frequency Hz $\pm 3\%$	Motor rating kW		Nominal RPM	Full current	Motor protection	Insulation class	IP rating
				P1	P2					
Enviromaster	1-phase	230	50/60	1.35	0.9	2850	8 A	Inbuilt	F	IP44

DIMENSIONS

Type	Pump L x W x H	Weight approx.	Packed L x W x H	Packed weight	Pump inlet	Pump outlet	No. of stages
Enviromaster	392 x 250 x 215mm	12.5kg	440 x 285 x 285 mm	13.1 kg	1" BSP (female)	1" BSP (female)	5

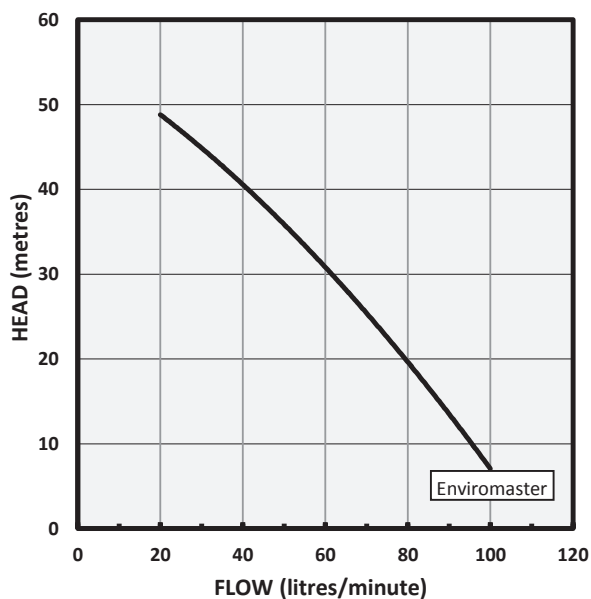


Type	A	B	C	D	E
Enviromaster	129 mm	392 mm	99 mm	215 mm	250 mm

PERFORMANCE

Type	P/No	Delivery head [m]	10	15	20	25	30	35	40	45
Enviromaster	P4700000	Capacity [litres per minute]	96	87	79	71	62	52	41	29

PERFORMANCE CURVE



PUMP CONSTRUCTION MATERIALS

Component	Material
Pump body casing	304 Stainless Steel
Check valve	Thermoplastic
Bushing	303 Stainless Steel w. ceramic coating
Impeller	Acetal
Diffuser	Polycarbonate
Diffuser cap	Polycarbonate
Seal stationary face	Aluminium oxide
Seal rotating face	316 Stainless Steel/Carbon graphite
Suction filter	430 Stainless Steel
Base	Noryl
Motor shaft	303 Stainless Steel
O'Rings	Nitrile



Head Office Pentair AU/NZ: 1-21 Monash Drive, Dandenong South, VIC 3175, Australia. www.pentair.com.au

All Pentair trademarks and logos are owned by Pentair, Ltd. All other brand or product names are trademarks or registered marks of their respective owners. Because we are continuously improving our products and services, Pentair reserves the right to change specifications without prior notice. Pentair is an equal opportunity employer.

ABN 27 004 856 204 © 2012 Pentair, Ltd. All Rights Reserved.

© 2015 Pentair