

ONGA®

SSH SERIES

STAINLESS STEEL / CAST ALUMINIUM DOMESTIC PRESSURE PUMP
HORIZONTAL MULTISTAGE PUMP



SSHP



FEATURES

Stainless steel and die cast aluminium construction provides strength and superior protection against corrosion.

Coupled with a Presscontrol this becomes a reliable automatic pressure system with loss of prime protection.

Extremely quiet operation in a compact design.

Range of models to suit various applications.

Inbuilt thermal overload.

Max. head - 57m.

Max. flow - 135lpm.

APPLICATIONS

- Domestic pressure system (with Presscontrol).
- Irrigation and garden water supply.
- Water transfer.
- Pressure boosting.

PUMP INFORMATION

Horizontal, multistage, surface mounted pump with closed impellers (SSH50 has open vane impellers) for pumping debris free water, integrated with a cool running Totally Enclosed Fan Cooled 2 pole motor with inbuilt thermal overload.

OPERATING CONDITIONS

Suitable for pumping clean non-aggressive liquids without solids or fibres in suspension.

Fluid:	Water.
Maximum water temperature:	90°C.
Minimum water temperature:	1°C.
Maximum ambient temperature:	50°C.
Minimum working pressure:	140kPa.
Maximum working pressure:	800kPa.

SCOPE OF SUPPLY

SSH50/SSH75/SSH110
manual pressure pump.

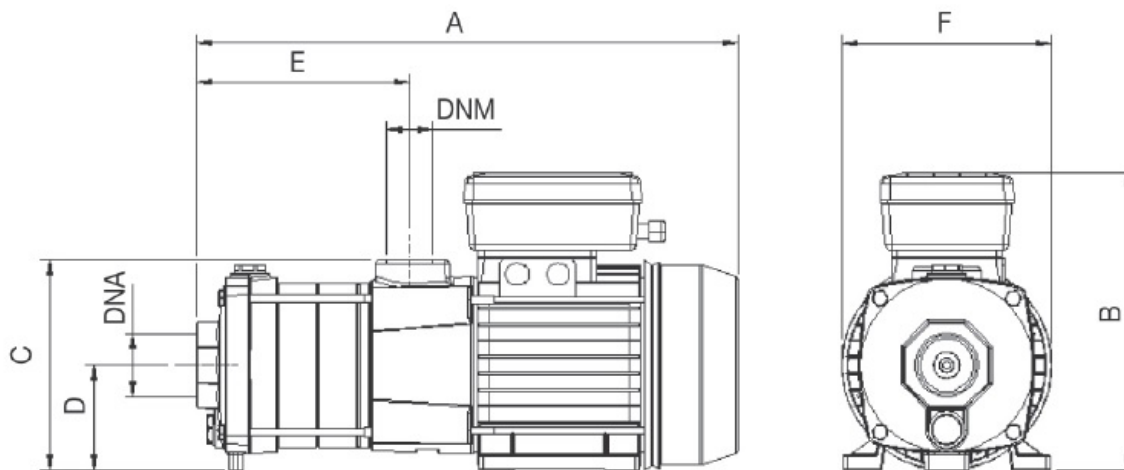
SSHP50/SSHP75/SSHP110
SSH50/75/110 pump with Onga Press-control.

ELECTRICAL DATA

Type	Type of current	Voltage	Frequency Hz	Motor rating kW		RPM min	Full Current	Motor protection	Insulation class	IP rating
				P1	P2					
SSH50	1-phase	230	50	0.75	0.50	2850	3.5 A	Inbuilt	F	IP54
SSH75	1-phase	230	50	1.0	0.70	2850	4.5 A	Inbuilt	F	IP54
SSH110	1-phase	230	50	1.5	1.2	2850	7 A	Inbuilt	F	IP54

DIMENSIONS

Type	Pump L x W x H	Weight approx.	Packed L x W x H	Packed weight	Pump inlet	Pump outlet	No. of stages
SSH50	362 x 142 x 205 mm	11.5kg	400 x 160 x 185 mm	12kg	1" BSP (female)	1" BSP (female)	5
SSH75	366 x 142 x 205 mm	12kg	400 x 170 x 280 mm	12.5kg	1¼" BSP (female)	1" BSP (female)	4
SSH110	445 x 160 x 230 mm	17kg	480 x 190 x 290 mm	17.5kg	1¼" BSP (female)	1" BSP (female)	6
SSPH50	N/A	N/A	N/A	N/A	1" BSP (female)	1" BSP (male)	5
SSHP75	N/A	N/A	N/A	N/A	1¼" BSP (female)	1" BSP (male)	4
SSHP110	N/A	N/A	N/A	N/A	1¼" BSP (female)	1" BSP (male)	6



Type	A	B	C	D	E	F	DNA	DNM
SSH50	362 mm	205 mm	137.5 mm	71 mm	141 mm	142 mm	1" BSP (female)	1" BSP (female)
SSH75	366 mm	205 mm	137.5 mm	71 mm	146 mm	142 mm	1¼" BSP (female)	1" BSP (female)
SSH110	445 mm	230 mm	149 mm	80 mm	200 mm	160 mm	1¼" BSP (female)	1" BSP (female)

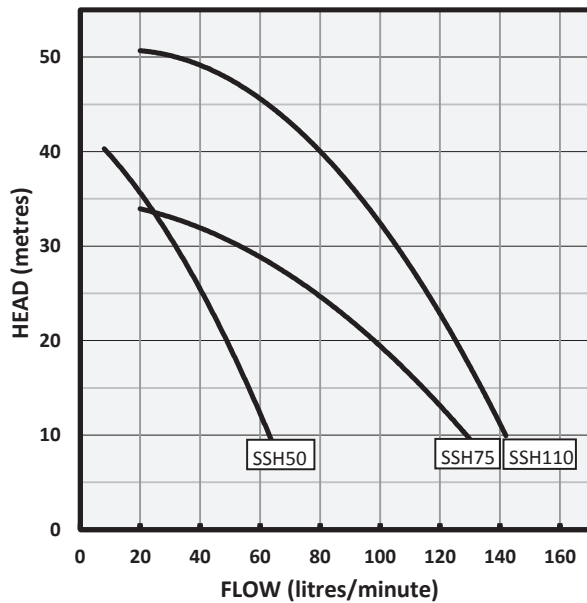
PUMP CONSTRUCTION MATERIALS

Component	Material
Suction flange	Die cast aluminium
Discharge flange	Die cast aluminium
Impellers	304 Stainless Steel
Diffusers	304 Stainless Steel
Sleeve	304 Stainless Steel
Motor shaft	304 Stainless Steel
Mechanical seal	Ceramic / graphite
Flexible bellows	Nitrile
Motor shaft	303 Stainless Steel
O'Rings	Nitrile
Feet/base	Die cast aluminium

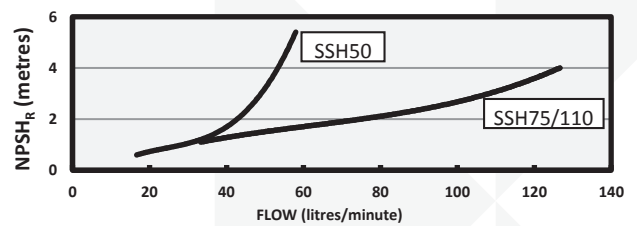
SSH PERFORMANCE

Type	P/No	Delivery head [m]	10	15	20	25	30	35	40	45	50
SSH50	E9302105NG	Capacity [litres per minute]	64	56	48	42	33	22	8	-	-
SSH75	E9402104NG		126	116	98	77	53	-	-	-	-
SSH110	E9402106NG		141	134	127	117	106	94	79	59	30

PERFORMANCE CURVE



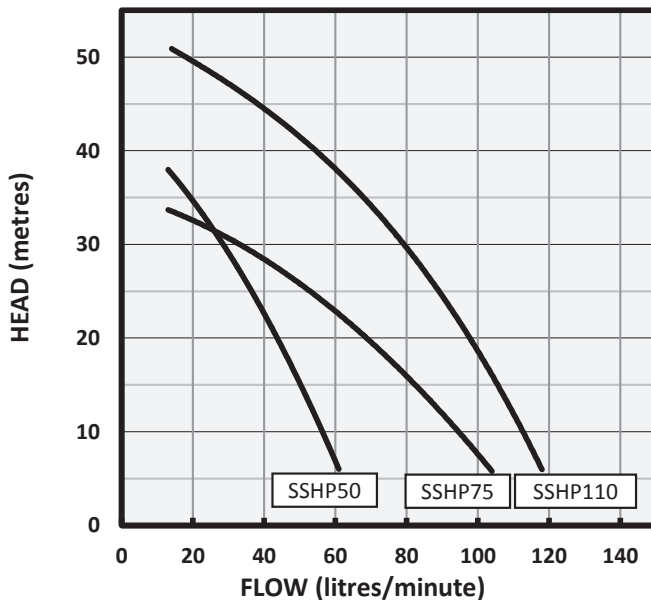
NPSHR



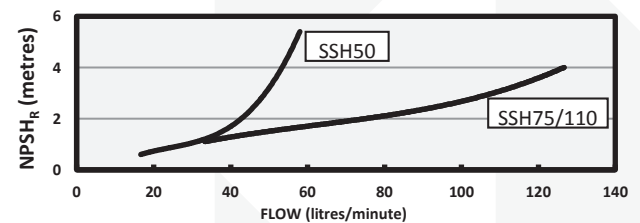
SSHP PERFORMANCE

Type	P/No	Delivery head H [m]	10	15	20	25	30	35	40	45	50
SSHP50	SSHP500	Capacity [litres per minute]	57	51	43	37	27	19	-	-	-
SSHP75	SSHP750		95	83	68	53	34	-	-	-	-
SSH1100	SSHP1100		113	106	98	89	79	68	54	38	18

PERFORMANCE CURVE



NPSHR



Head Office Pentair AU/NZ: 1-21 Monash Drive, Dandenong South, VIC 3175, Australia. www.pentair.com.au

All Pentair trademarks and logos are owned by Pentair, Ltd. All other brand or product names are trademarks or registered marks of their respective owners. Because we are continuously improving our products and services, Pentair reserves the right to change specifications without prior notice.

Pentair is an equal opportunity employer.

ABN 27 004 856 204 © 2012 Pentair, Ltd. All Rights Reserved.

© 2015 Pentair