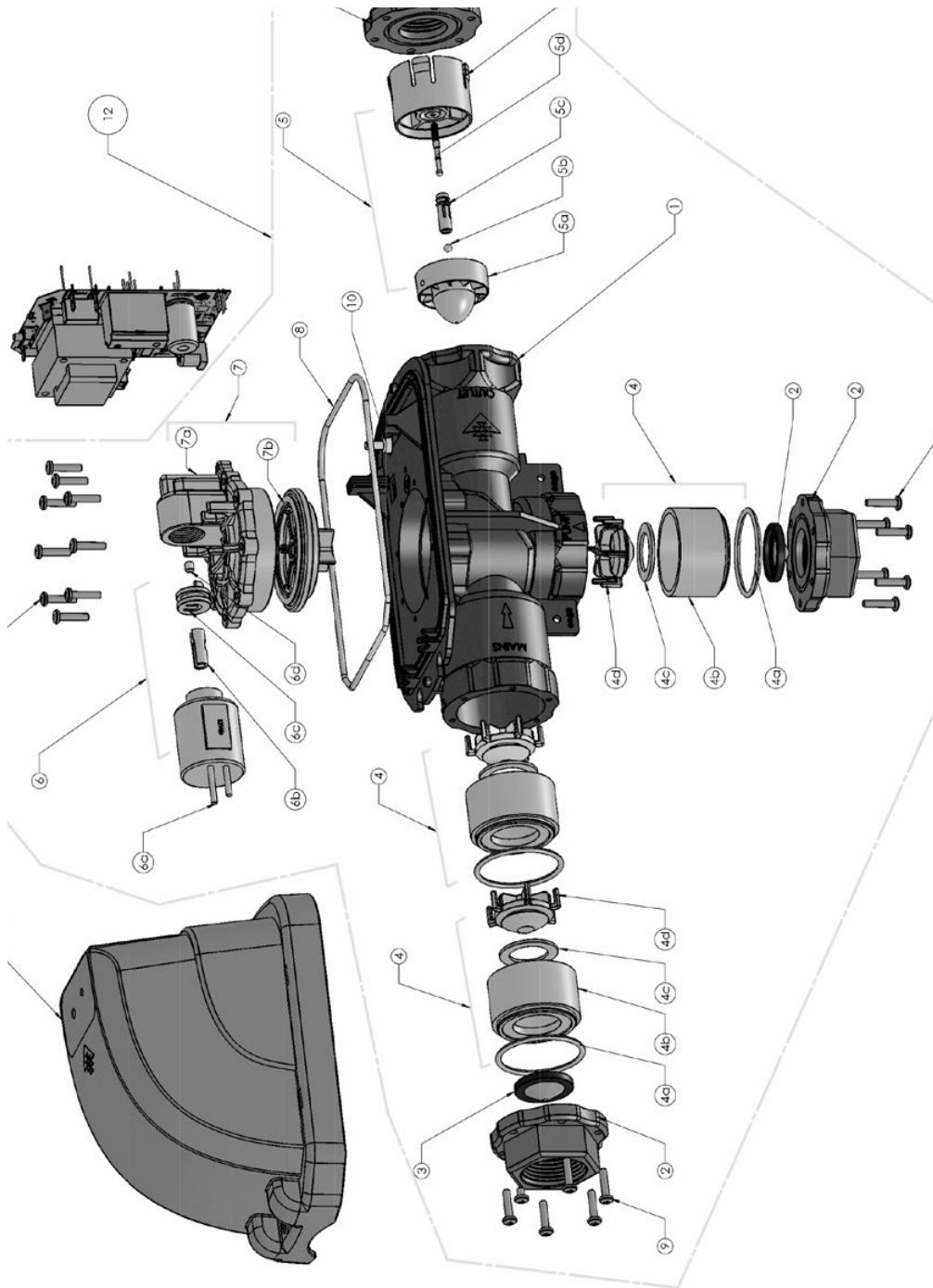


Waterswitch



Drawings are indicative only, product appearance may change slightly.

Waterswitch

MODEL	WATERSWITCH
PART NUMBER	WS1500120

REF NO.	COMPONENT DESCRIPTION	PART No.	
2	HYDRAULIC ASSEMBLY END CAPS	707506K	3PC
4	CHECK VALVE ASSEMBLY INC.	707506K	3PC
	OUTER ORING		3PC
	CHECK VALVE SHUT OFF VALVE		3PC
	SEAL WASHER		3PC
	CHECK VALVE SHUT OFF VALVE		3PC
10	FLOW SENSOR ASSEMBLY	707149K	1PC
11	WATERSWITCH COVER	707503	1PC
12	HYDRAULIC ASSEMBLY	707500	1PC
13	PCB ASSEMBLY WS2000	707522	1PC
NS	ADAPTOR KIT WS1500	801489K	1PC
NS	BRIDGING JACK (FLOATLESS)	707546K	1PC
NS	H2O INFORMER (INC MAGNET)	801250	1PC