

**ONGA®**
**INTELLIMASTER**

 VARIABLE SPEED DOMESTIC PRESSURE RANGE  
 HORIZONTAL MULTISTAGE PUMP


IntelliMaster Pumps


**FEATURES**

Stainless Steel Horizontal Multistage - single phase pump with variable speed drive

\*304 Stainless Steel Wet End

Large LCD Display

Adjustable Pressure set point

16 Bar Transducer

Pressure Gauge

Stainless steel five-way tee with inbuilt non-return valve

Max. head - 58m

Max. flow - 270lpm

**APPLICATIONS**

- Domestic pressure system.
- Pressure boosting.
- Irrigation and garden water supply.
- Water transfer.

**PUMP INFORMATION**

Horizontal, multistage, surface mounted pump with closed impellers for pumping debris free water, integrated with a cool running Totally Enclosed Fan Cooled motor with inbuilt thermal overload.

**OPERATING CONDITIONS**

Suitable for pumping clean non-aggressive liquids without solids or fibres in suspension.

Fluid:	Water
Maximum water temperature:	40°C
Minimum water temperature:	1°C
Maximum ambient temperature:	40°C
Maximum working pressure:	700kPa

**SCOPE OF SUPPLY**
**Intellimaster Kits (IMH750K, IMH1100K & IMH2200K)**

Pump with variable frequency drive, five-way tee, pressure transducer and 8 litre pressure tank.

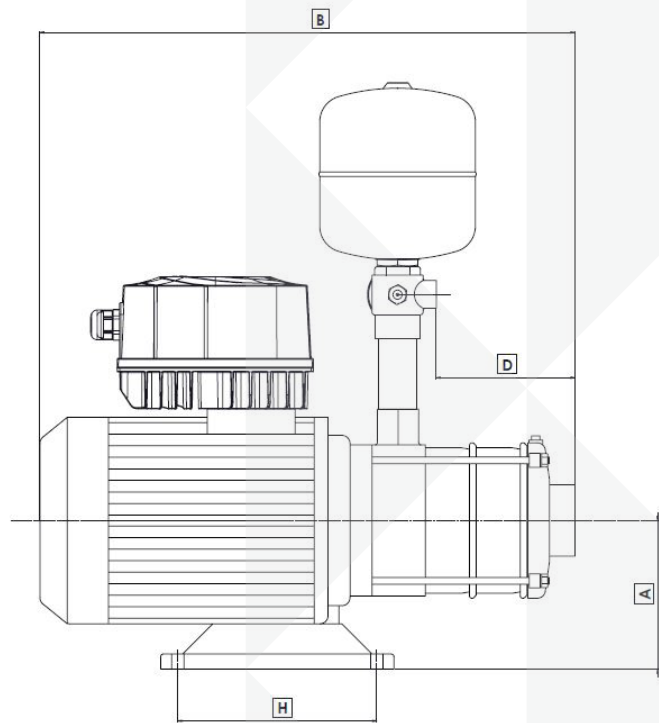
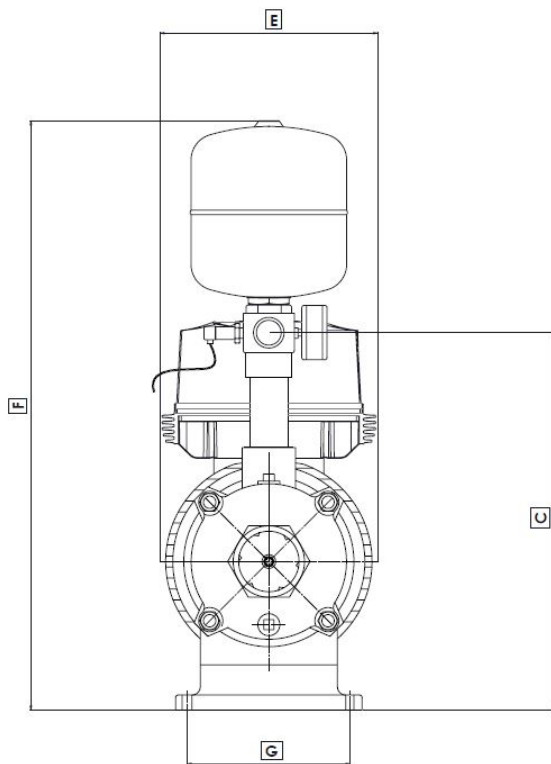


## ELECTRICAL DATA

Type	Voltage ±10%	Frequency Hz ±3%	Motor rating kW		Nominal RPM	Full cur- rent	Motor protection	Insulation class	IP rating
			P1	P2					
IMH750	220-240 1Ph	50	0.969	0.75	2890	3.1A	Inbuilt	F	IP55
IMH1100	220-240 1Ph	50	1.382	1.1	2890	4.4A	Inbuilt	F	IP55
IMH2200	220-240 1Ph	50	2.644	2.2	2890	8.2A	Inbuilt	F	IP55

## DIMENSIONS

Pump	Weight approx.	Packed L x W x H (mm)	Packed weight	Pump Inlet	Pump outlet	No. of stages
IMH750	19 kg	520 x 320 x 400	20.5 kg	1" BSP (Female)	1" BSP (Female)	6
IMH1100	19 kg	520 x 320 x 400	20.5 kg	1 1/4" BSP (Female)	1" BSP (Female)	6
IMH2200	28 kg	520 x 320 x 400	30 kg	1 1/2" BSP (Female)	1 1/4" BSP (Female)	5

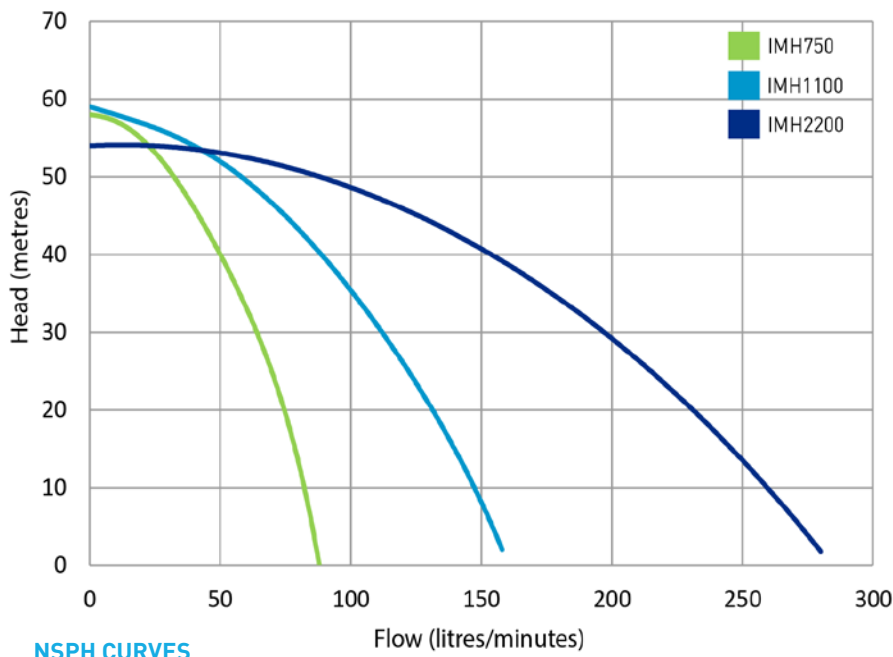


Type	A	B	C	D	E	F	G	H
IMH750	110mm	422mm	280mm	110mm	200mm	575mm	108mm	138mm
IMH1100	108mm	482mm	285mm	168mm	180mm	582mm	108mm	138mm
IMH2200	118mm	520mm	270mm	155mm	198mm	564mm	108mm	138mm

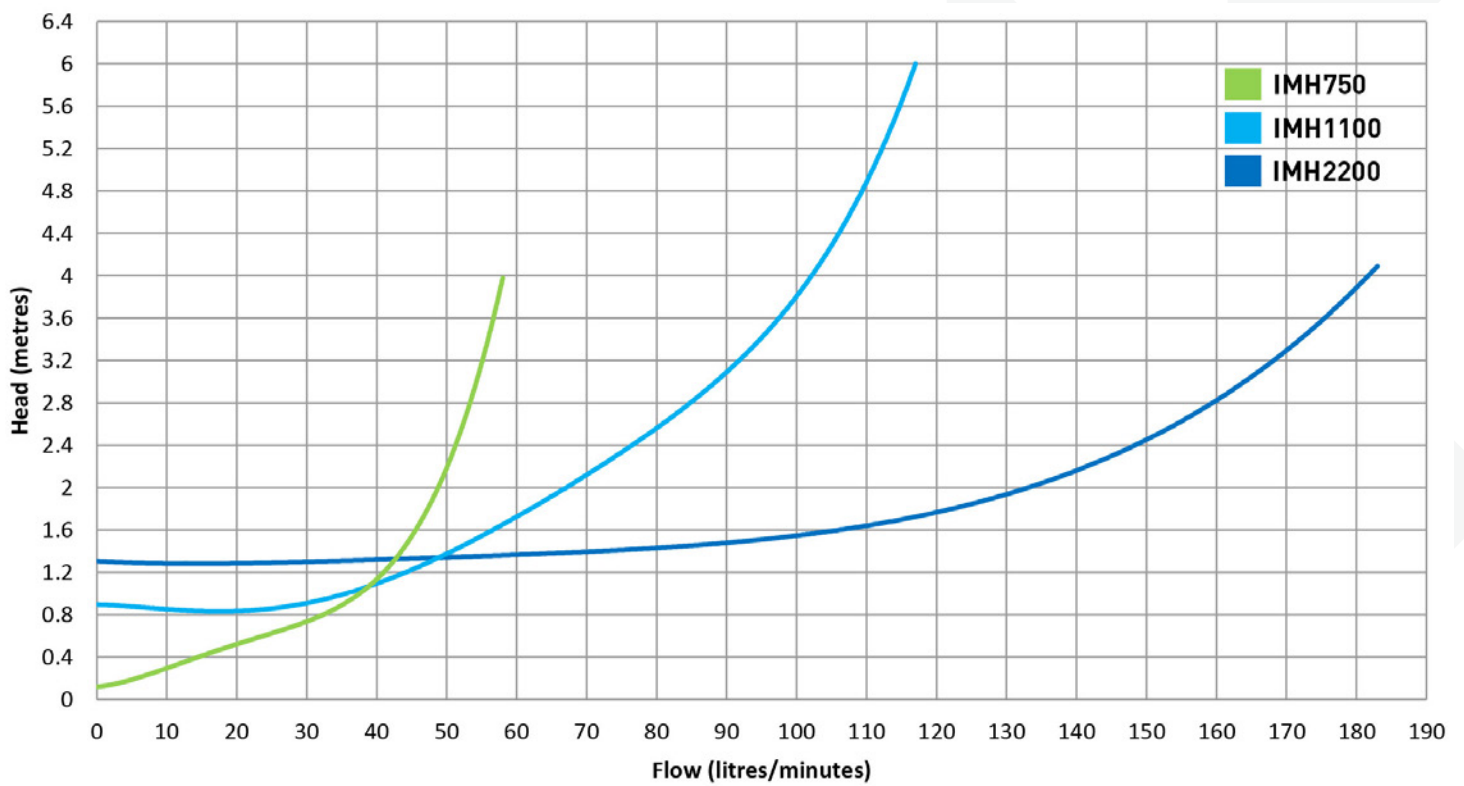
## PERFORMANCE

Type	Delivery head [m]	10	15	20	25	30	35	40	45	50	55	60
IMH750	Capacity [litres per minute]	80	76	72	66	61	55	48	42	32	20	-
IMH1100	Capacity [litres per minute]	148	140	132	122	113	102	90	72	60	31	-
IMH2200	Capacity [litres per minute]	258	240	230	220	202	180	165	140	95	-	-

## PERFORMANCE CURVE



## NSPH CURVES



## PUMP CONSTRUCTION MATERIALS

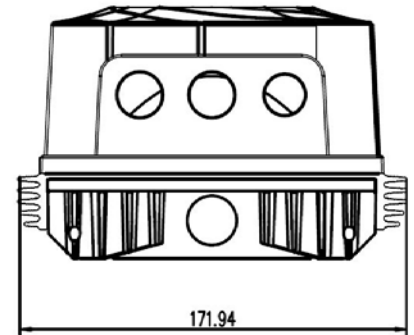
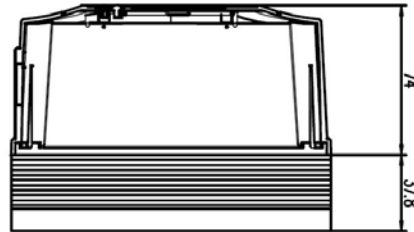
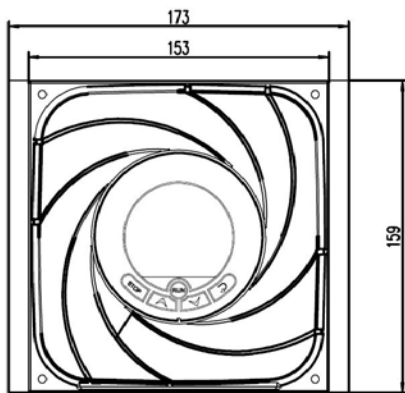
Component	Material
Pump body casing	304 Stainless Steel
Check valve [5 way tee]	AISI304
Bushing	304 Stainless Steel
Impeller	304 Stainless Steel
Diffuser	304 Stainless Steel
Seal rotating face	M106K Impregnated furan resin
Base	AISI1015
Motor shaft	304 Stainless Steel
O'Rings	NBR
Bearings	304 Stainless Steel by NSK

## LCD DISPLAY

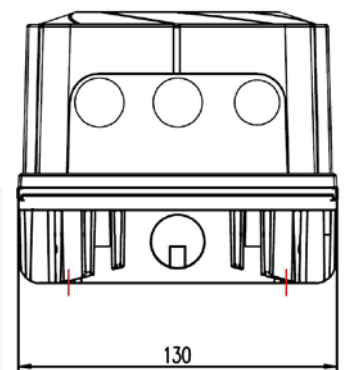
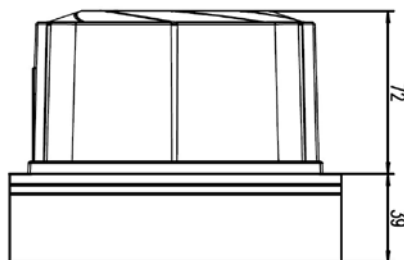
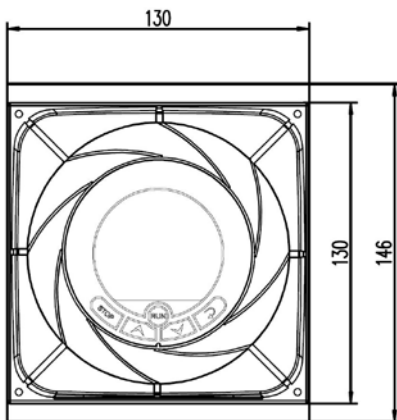
- Power frequency: 50-60Hz (+/-2%)
- Storing temperature: -30 to 70°C
- Min amb temperature of rated current: -10°C
- Max amb temperature of rated current = 40°C
- Grade of protection: IP55
- Class = C1
- 3 colour status indication on LCD  
(Blue: in-operation, Purple: stopped, Red: alarm).



## VSD FOR IMH1100 & IMH2200



## VSD FOR IMH750



Head Office Pentair AU/NZ: 1-21 Monash Drive, Dandenong South, VIC 3175, Australia. [www.pentair.com.au](http://www.pentair.com.au)

All Pentair trademarks and logos are owned by Pentair, Ltd. All other brand or product names are trademarks or registered marks of their respective owners. Because we are continuously improving our products and services, Pentair reserves the right to change specifications without prior notice. Pentair is an equal opportunity employer. ABN 27 004 856 204. All Rights Reserved.

© 2018 Pentair