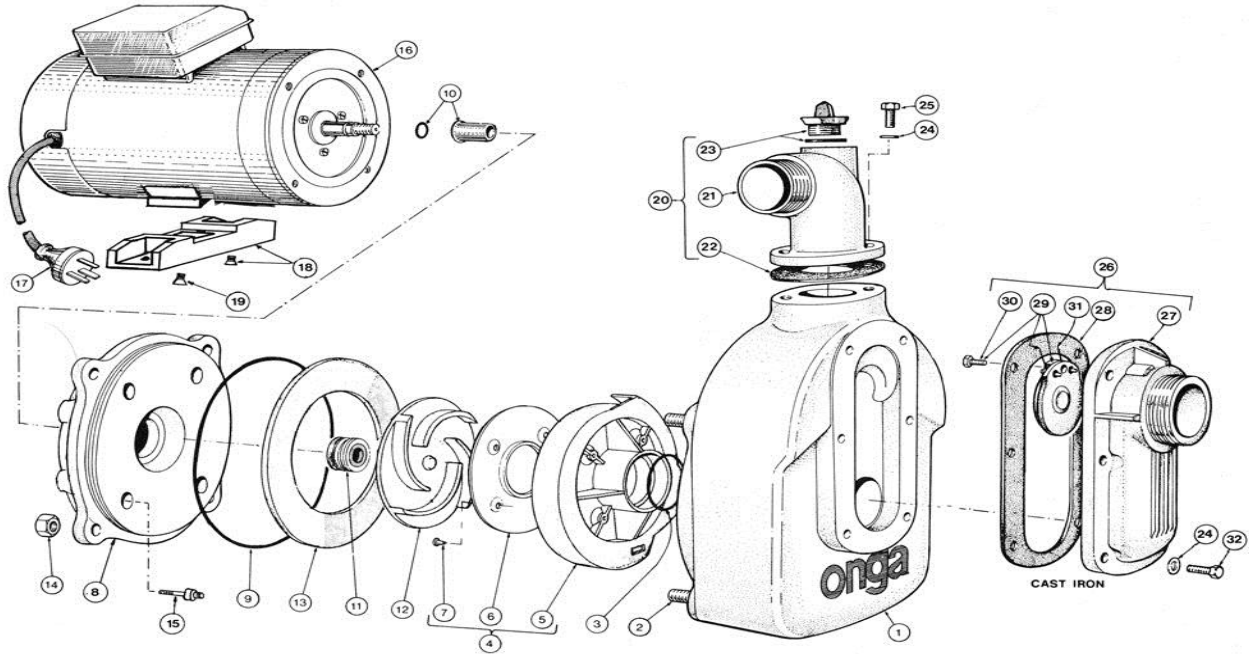


150 Range



MODEL	150
PART NUMBER	315000
	315030

REF NO.	DESCRIPTION	PART NO.	
1	CASING & STUD ASSY.	800059	1PC
2	STUD (PK 10)	800113	4PC
3	O'RING DIFFUSER (PK 5)	700219K	1PC
4	DIFFUSER & WEARPLATE ASSY.	800057	1PC
5	DIFFUSER	401127	4PC
6	WEARPLATE	501720	1PC
7	SCREW (PK 12)	800102K	4PC
8	YOKE	301270	1PC
9	O'RING CASING	702165K	1PC
10	SHAFT SLEEVE KIT	801007K	1PC
11	SEAL KIT (INC. SEAL & 10)	800890K	1PC
	SEAL (PK 25)	800900	1PC
12	IMPELLER - 1PH	401137	1PC
	IMPELLER - 3PH	801230K	1PC
13	BAFFLE	401326	1PC
14	NUT (PK 12)	800093K	4PC
15	BOLT & BOLT SEAL (PK 12)	800242K	4PC
16	MOTOR - 1PH	800445	1PC
	MOTOR - 3PH	800447	1PC
20	DISCHARGE FLANGE ASSY. 2"	800082	1PC
21	FLANGE - DISCHARGE	401241	1PC
22	GASKET - DISCHARGE	501740	1PC
23	PLUG & O'RING	800017K	2PC
25	SCREW (PK 10)	800097	2PC
26	SUCTION FLANGE ASSY.	800159	1PC
27	FLANGE - SUCTION	301160	1PC
28	GASKET - CLACKER ASSY.	502770	1PC
29	CLACKER ASSY.	800062	1PC
31	SPRING	601360	1PC

Drawings are indicative only, product appearance may change slightly.