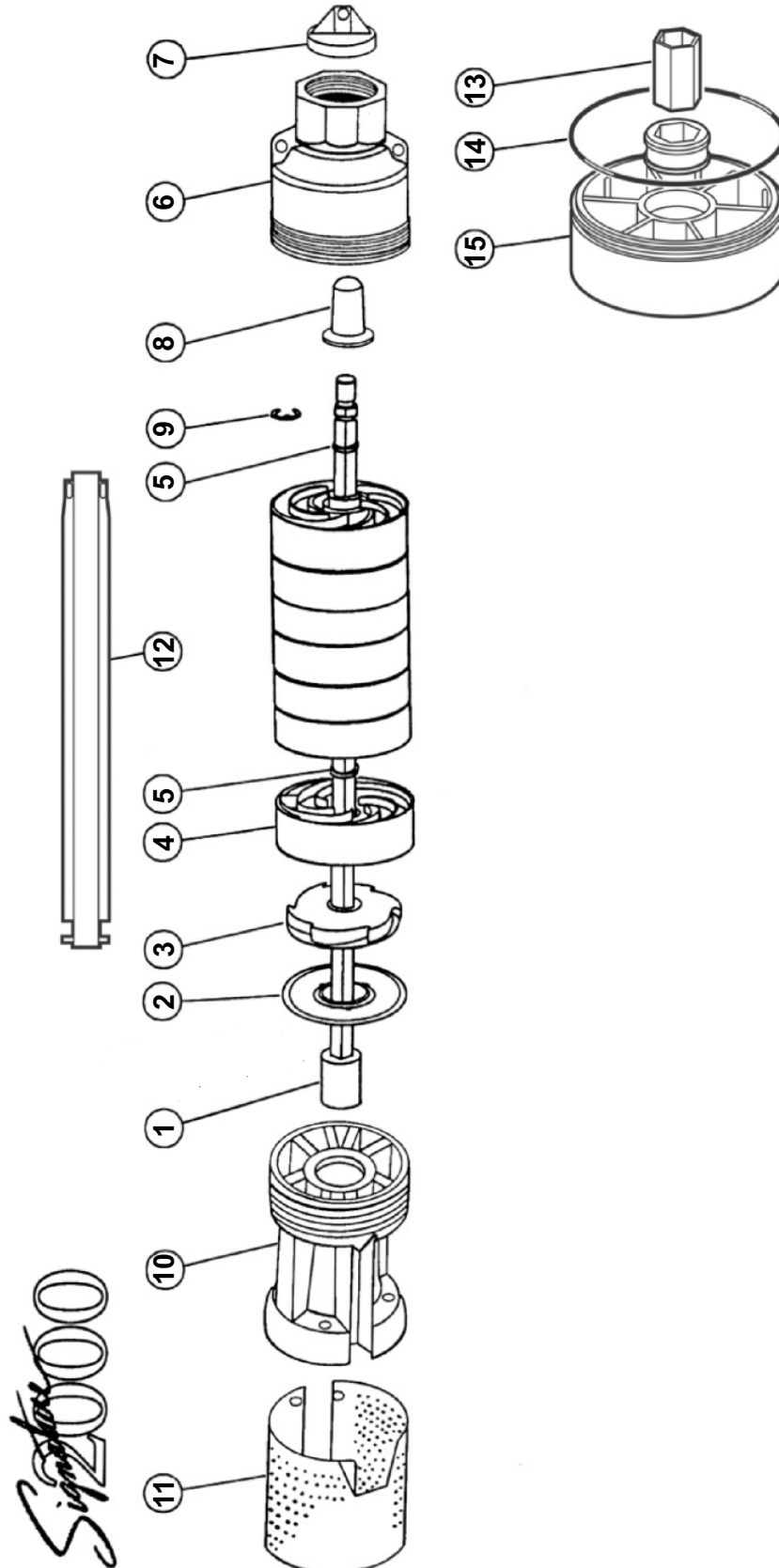


All models

BOREHOLE



Drawings are indicative only, product appearance may change slightly.

20S4 & 30S4 Range

MODEL	20S4CTL	20S4DTL	20S4ETL	20S4FTL
PART NUMBER	20S4CTL-03	20S4DTL-03	20S4ETL-03	20S4FTL-03
NO. STAGES	11 STAGE	15 STAGE	22 STAGE	29 STAGE

REF NO.	DESCRIPTION	PART NO.		PART NO.		PART NO.		PART NO.	
1	SHAFT & COUPLING	P110-933	1PC	P110-920	1PC	P110-788	1PC	P110-934	1PC
2	CAP - SUCTION	P101-172P	TBA	P101-172P	TBA	P101-172P	TBA	P101-172P	TBA
3	IMPELLER	P105-99P	TBA	P105-99P	TBA	P105-99P	TBA	P105-99P	TBA
4	DIFFUSER	P1-171P	TBA	P1-171P	TBA	P1-171P	TBA	P1-171P	TBA
	DIFFUSER FIRST STAGE	-	TBA	-	TBA	P1-171PM	TBA	P1-171PM	TBA
5	THRUST PAD	P43-52	TBA	P43-52	TBA	P43-52	TBA	P43-52	TBA
6	DISCHARGE WITH BEARING (INC 6,7 & 8)	P152-70P	1PC	P152-70P	1PC	P152-70P	1PC	P152-70P	1PC
7	CHECKVALVE	-	1PC	-	1PC	-	1PC	-	1PC
8	BEARING NYLATRON	-	1PC	-	1PC	-	1PC	-	1PC
9	RETAINER RING	U9-435SS	1PC	U9-435SS	1PC	U9-435SS	1PC	U9-435SS	1PC
10	SUCTION HOUSING MOULDED	P2-113PA	1PC	P2-113PA	1PC	P2-113PA	1PC	P2-113PA	1PC
11	SUCTION SCREEN	P8-32P	1PC	P8-32P	1PC	P8-32P	1PC	P8-32P	1PC
12	LEAD GUARD (02 MODELS)	P3-753SS	1PC	P3-916SS	1PC	P3-771SS	1PC	P3-757SS	1PC
	LEAD GUARD (03 MODELS)	P3-1242SS	1PC	P3-1246SS	1PC	P3-1252SS	1PC	P3-1256SS	1PC
NS	HARDWARE PK	P198-245	1PC	P198-245	1PC	P198-245	1PC	P198-245	1PC

MODEL	30S4DT	30S4ET	30S4FT	30S4GT
PART NUMBER	30S4DT-04	30S4ET-04	30S4FT-04	30S4GT-04
NO. STAGES	12 STAGE	16 STAGE	20 STAGE	30 STAGE

REF NO.	DESCRIPTION	PART NO.		PART NO.		PART NO.		PART NO.	
1	SHAFT & COUPLING	P110-781	1PC	P110-1129	1PC	P110-1130	1PC	P110-1132	1PC
2	CAP - SUCTION	P101-160P	TBA	P101-160P	TBA	P101-160P	TBA	P101-160P	TBA
3	IMPELLER	P105-266P	TBA	P105-266P	TBA	P105-266P	TBA	P105-266P	TBA
4	DIFFUSER	P1-168P	TBA	P1-168P	TBA	P1-168P	TBA	P1-168P	TBA
	DIFFUSER FIRST STAGE	-	TBA	-	TBA	-	TBA	P1-168PBM	1PC
5	THRUST PAD	P43-52	TBA	P43-52	TBA	P43-52	TBA	P43-52	TBA
6	DISCHARGE & POPPET ASSY. (INC 6,7 & 8)	P152-60P	1PC	P152-60P	1PC	P152-60P	1PC	P152-60P	1PC
7	CHECKVALVE	-	1PC	-	1PC	-	1PC	-	1PC
8	BEARING NYLATRON	-	1PC	-	1PC	-	1PC	-	1PC
9	RETAINER RING	U9-435SS	1PC	U9-435SS	1PC	U9-435SS	1PC	U9-435SS	1PC
10	SUCTION HOUSING MOULDED	P2-113PB	1PC	P2-113PB	1PC	P2-113PB	1PC	P2-113PB	1PC
11	SUCTION SCREEN	P8-32P	1PC	P8-32P	1PC	P8-32P	1PC	P8-32P	1PC
12	LEAD GUARD (02 MODELS)	P3-914SS	1PC	P3-1015SS	1PC	P3-639SS	1PC	P3-893SS	1PC
	LEAD GUARD (03 MODELS)	P3-914SS	1PC	P3-1015SS	1PC	P3-639SS	1PC	P3-893SS	1PC
NS	HARDWARE PK	P198-245	1PC	P198-245	1PC	P198-245	1PC	P198-245	1PC

Pentek Intellidrive Parts

MODEL	PID INTELLIDRIVE
PART NO.	PID2000-1123

DESCRIPTION	PART NO.	
INOUT TERMINAL BLOCK CONNECTOR	PID-CON2	1PC
OUTPUT TERMINAL BLOCK CONNECTOR	PID-CON3	1PC
COOLING FAN	PID-FAN-R	1PC
PRESSURE TRANSDUCER	U17-1561	1PC
15M/50FT	176L7777	1PC
KEYPAD	PID-HMI-R	1PC