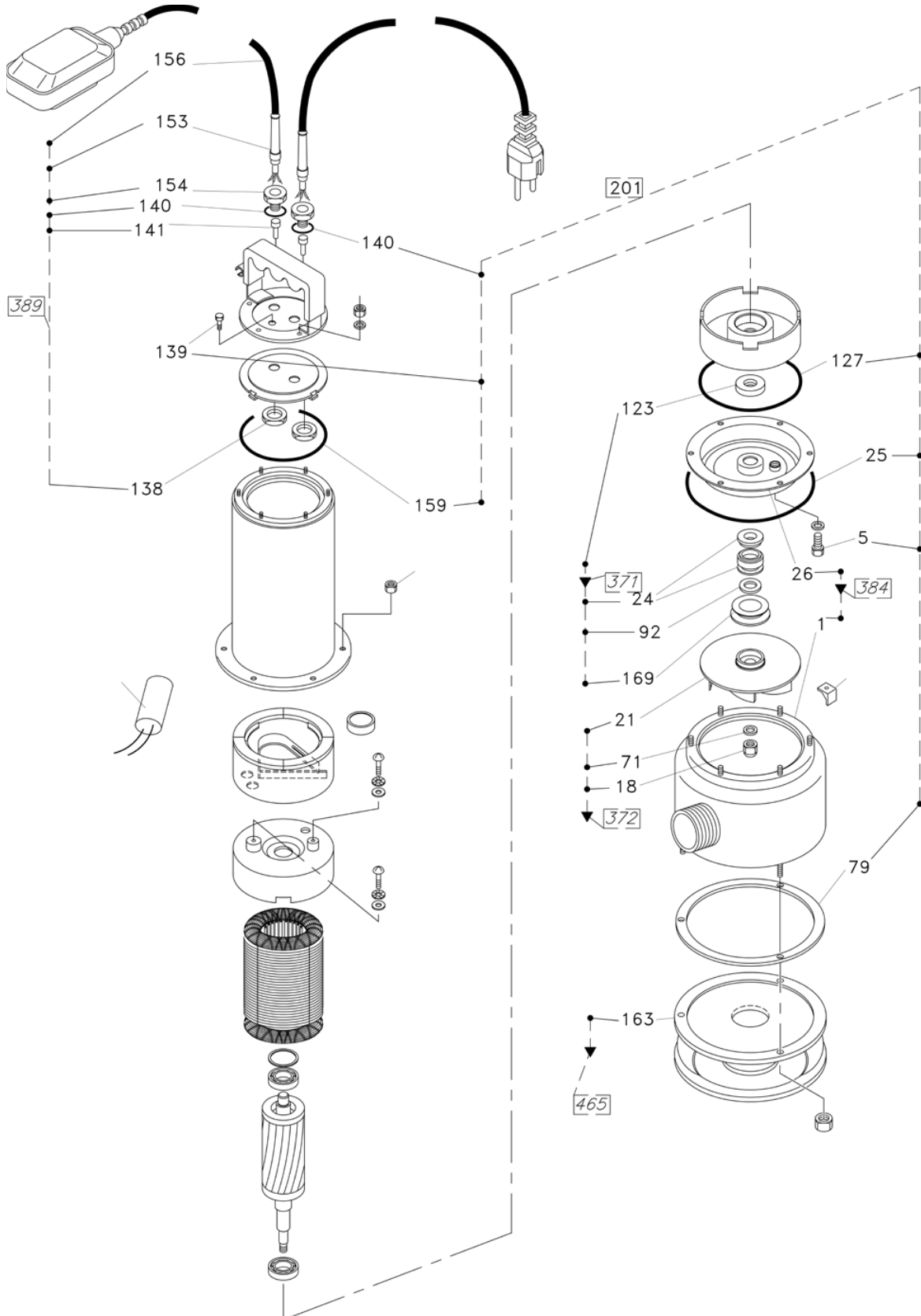


Biox 310/10 Model



SUBMERSIBLE

Drawings are indicative only, product appearance may change slightly.

PARTS LIST TABLE

Biox 310/10 Model

| | |
|-------------|-------------|
| MODEL | BIOX 300/10 |
| PART NUMBER | P2091010 |

| KIT NO. | KIT REFERENCE NO. | REF NO. | COMPONENT DESCRIPTION | BIOX 300/10 | |
|---------|---------------------|---------|-------------------------------|-------------|-----|
| 201 | GASKET KIT | 79 | GASKET (PUMP BODY) | ZBR25480 | 1PC |
| | | 5 | PLUG (FILL) | | 1PC |
| | | 25 | O-RING (PUMP BODY) | | 1PC |
| | | 127 | O-RING (LOWER BEARING FLANGE) | | 1PC |
| | | 140 | O-RING (CORDING CLAMP) | | 1PC |
| | | 139 | SCREW (INSPECTION) | | 2PC |
| | | 159 | O-RING (COVER) | | 1PC |
| 371 | MECHANICAL SEAL KIT | 24 | SEAL (COMPLETE MECHANICAL) | ZBR20470 | 1PC |
| | | 123 | RING (SEAL) | | 1PC |
| | | 92 | WASHER | | 1PC |
| | | 169 | SAND PROTECTION | | 1PC |
| 372 | HYDRAULIC KIT | 18 | NUT (SELF-LOCKING) | ZBR20600 | 1PC |
| | | 21 | IMPELLER | | 1PC |
| | | 71 | WASHER | | 1PC |
| 389 | FLOAT SWITCH | 138 | NUT (CORDING CLAMP LOCKING) | ZBR20450 | 1PC |
| | | 140 | O-RING (CORDING CLAMP) | | 2PC |
| | | 153 | GROMMET (CABLE 9MM DIA) | | 1PC |
| | | 154 | CORDING CLAMP | | 1PC |
| | | 141 | CONNECTOR 2.5SQMM | | 2PC |
| | | 156 | FLOAT SWITCH | | 1PC |
| 455 | KIT BASE | 163 | BASE | ZBR25590 | 1PC |
| | POWER LEAD | | POWER LEAD | ZBR43910 | 1PC |

SUBMERSIBLE