

BLAZEMASTER 2

YANMAR DIESEL ENGINE-DRIVEN PUMP

Single-stage and twin-stage petrol engine driven pumps with all new hydraulic design. Delivering greater performance, increased fuel efficiency and improved self-priming capabilities, ensuring water can be moved economically where power is unavailable, or portability is a requirement. The closed impeller design means high head pressures can be achieved. The pumps are driven by Yanmar L48N, L70N or L100N engines.



KEY FEATURES

- Marine-grade aluminium construction - 30% stronger
- Outstanding hydraulic performance
- Advanced self-priming capabilities
- Increased fuel efficiency
- Maximum liquid temperature 55°C
- Maximum ambient temperature 40°C
- Maximum operating pressure 16 bar
- Max. suction lift - 8 m
- Max. head - 71 m
- Max. flow - 723 lpm

APPLICATIONS

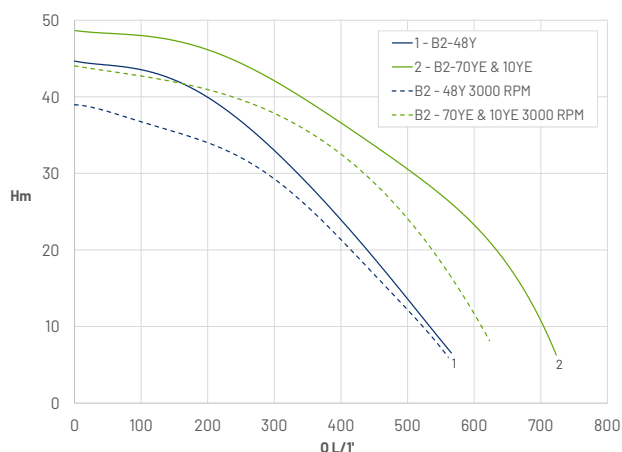
Fire fighting, tank filling, water transfer, irrigation and spraying.

Single impeller models (B2-) enable high flow rates with strong pressure.

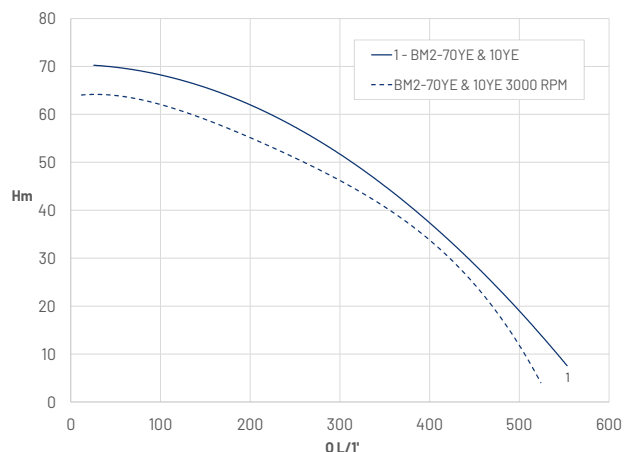
Twin impeller models (BM2-) provide stronger pressure for pumping higher and longer distances.

PERFORMANCE CURVES

SINGLE IMPELLER



TWIN IMPELLER



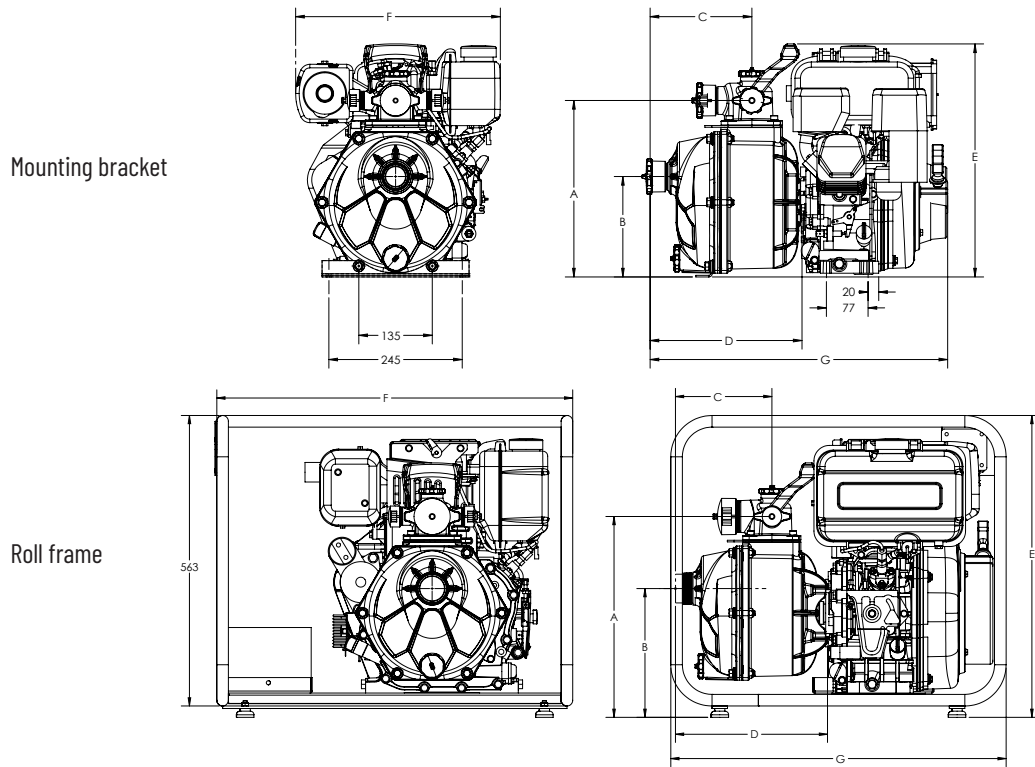
MODEL SPECIFICATIONS

Model	No. of impellers	Engine	Engine model	Nominal HP	Displacement CC	RPM	Continuous duty	Fuel tank capacity	Fuel	Recommended oil type	Oil capacity
B2-48Y	Single	Yanmar	L48N	5.5	219	3000 RPM		2.4 litres	Diesel	SAE30	0.8 litres
B2-70YR			L70N	6.5	320			3.3 litres			1.1 litres
B2-10YER			L100N	9	435			5.4 litres			1.6 litres
BM2-70YER	Twin		L70N	5.5	320			3.3 litres			1.1 litres
BM2-10YER			L100N	6.5	435			5.4 litres			1.6 litres

CONSTRUCTION MATERIALS

Component	Material	Component	Material
Pump casing	Marine grade aluminium (CA605)	O-rings	NBR
Pump cover	Marine grade aluminium (CA605)	Non-return valve	EPDM
Impeller	Marine grade aluminium (CA605)	Caps & plugs	Marine grade aluminium (CA605)
Diffuser	Marine grade aluminium (CA605)	Motor shaft	Mild steel
Discharge	Marine grade aluminium (CA605)	Exterior finish	Powder coating
Mechanical seal	Carbon / Ceramic		

DIMENSIONS



Model	Dimensions (mm)								Weight (kg)	Pump inlet	Pump outlets
	A	B	C	D	E	F	G				
SINGLE	B2-48Y	324	184	187	279	428	376	547	37	1½" MI	1½" x 1" x 1" MI
	B2-48YE	324	184	187	279	428	376	547	42	1½" MI	1½" x 1" x 1" MI
	B2-70YER	389	250	187	295	585	690	650	58	2" MI	2" x 1" x 1" MI
	B2-10YER	389	250	187	295	585	690	650	70	2" MI	2" x 1" x 1" MI
TWIN	BM2-70YER	389	250	187	295	585	690	650	59	2" MI	2" x 1" x 1" MI
	BM2-10YER	389	250	187	295	585	690	650	71	2" MI	2" x 1" x 1" MI

Y = Yanmar R = Roll frame

E = Electric start



1-21 Monash Drive | Dandenong South, VIC 3175 | 1300 137 344 | onga.com.au

Information contained here-in remains the property of Pentair under Australian copyright law. Content may not be reproduced or transmitted without our prior written permission.

Disclaimer: Pentair reserves the right to change product specifications and products details. Product images are for reference purposes only and may not represent the actual/current product.

©2026 Pentair. All rights reserved.



L100465 - 04/26