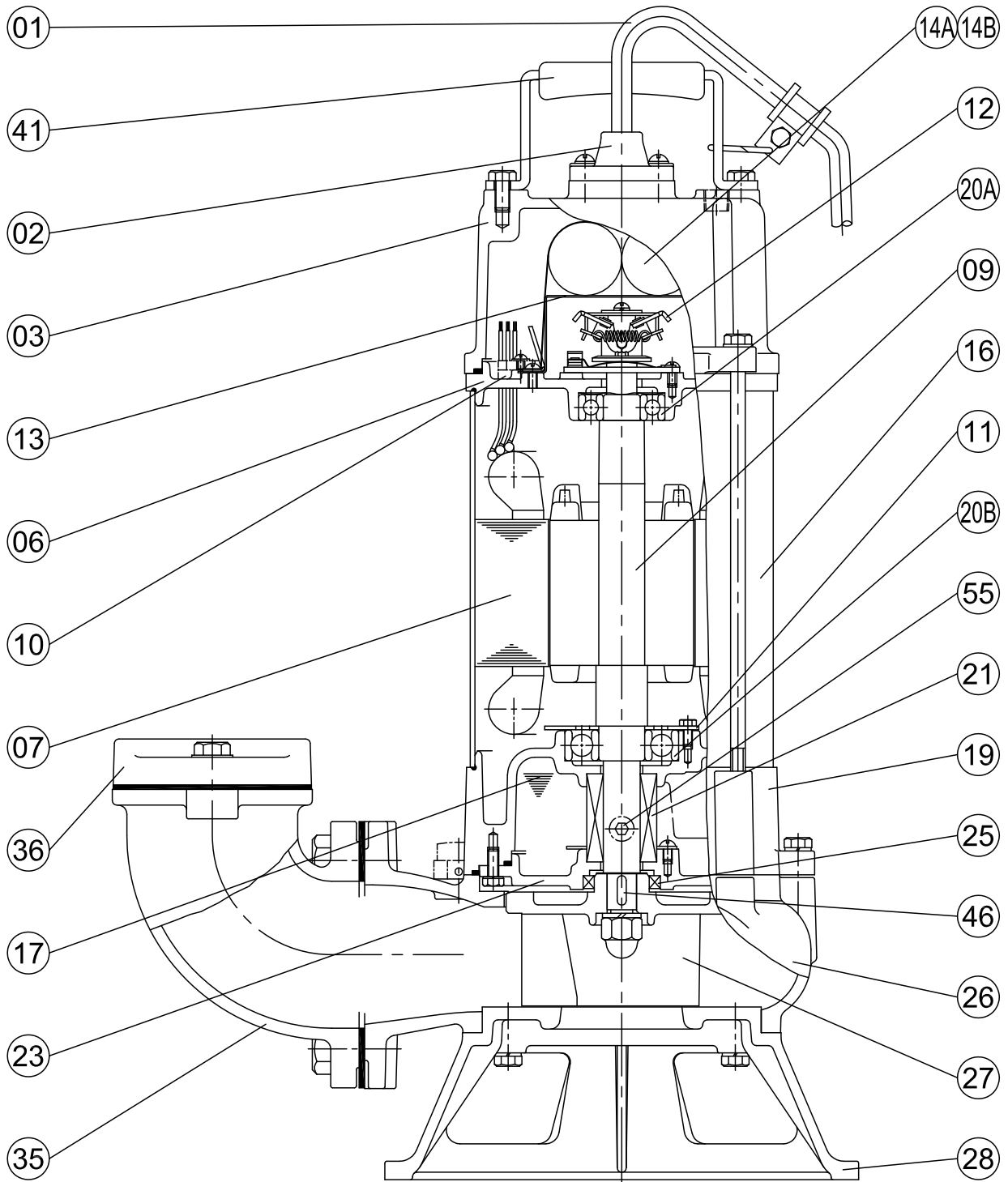


**CSM160GS /GT, CSM300GT Models**



**SUBMERSIBLE**

# PARTS LIST TABLE

## CSM160GS /GT, CSM300GT Models

MODEL	CSM160XGS	CSM160XGT	CSM300XGT
PART NUMBER	CSM160XGS	CSM160XGT	CSM300XGT

REF NO.	DESCRIPTION	PART NO.		PART NO.		PART NO.	
1	CABLE ASSEMBLY	707018	1PC	707017	1PC	707019	1PC
21	MECHANICAL SEAL	707024	1PC	707024	1PC	707025	1PC
25	LIP SEAL	707029	1PC	707029	1PC	N/A	1PC
	GASKET & O'RING KIT	707034	1PC	707034	1PC	707035	1PC
27	IMPELLER	707040	1PC	707040	1PC	707041	1PC
	IMPELLER NUT & SPRING WASHER	707044	1PC	707044	1PC	N/A	1PC
	GRINDER ASSEMBLY	707045	1PC	707045	1PC	707046	1PC
10	AUTO CUT OUT SWITCH	705051	1PC	707050	1PC	707052	1PC
14B	CAPACITOR (START)	707053	1PC	N/A	1PC	N/A	1PC
14A	CAPACITOR (RUN)	707057	1PC	N/A	1PC	N/A	1PC
12	CENTRIGUGAL SWITCH	N/A	1PC	N/A	1PC	N/A	1PC
26	PUMP CASING	707063	1PC	707063	1PC	707064	1PC
28	BASE PLATE / WEAR COVER	B28-3511-0	1PC	B28-3511-0	1PC	B28-3511-0	1PC

SUBMERSIBLE