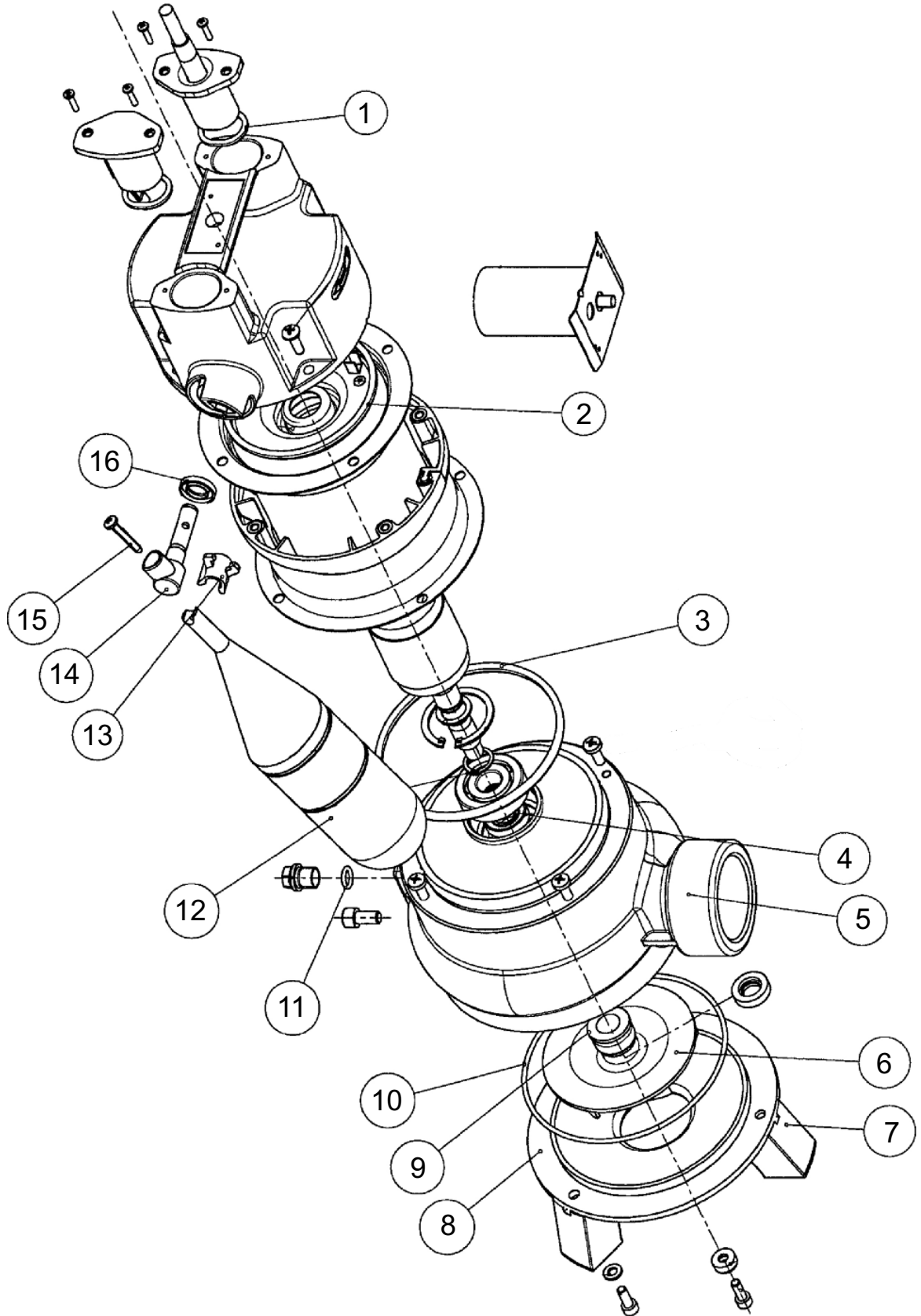


Jung US 103 ES Model



SUBMERSIBLE

PARTS LIST TABLE

Jung US 103 ES Model

PUMP	US103ES
PART NO.	JP44237

REF NO.	COMPONENT DESCRIPTION	PART NO.	
1	O-RING 25 X 4	SEAL KIT	2PC
2	O-RING 98 X 5	SEAL KIT	1PC
3	O-RING 120,7 X 5,33	SEAL KIT	1PC
4	ROTARY SHAFT SEAL DIN 3760 BA DUO	SEAL KIT	1PC
5	VOLUTE CASING US+UB 62...103	JP25337	1PC
6	VORTEX IMPELLER US+UB 102+103	JP25153	1PC
7	PEDESTAL US / UB 73 253	JP23804	1PC
8	COVER F. PUMP CASING US+UB 62...253	JP25140	1PC
9	MECH. SEAL 16X18,8 Q1/Q1	SEAL KIT	1PC
10	O-RING 135 X 3	SEAL KIT	1PC
11	O-RING 10 X 2,5	SEAL KIT	1PC
12	FLOAT LONG VERSION ASYMMETRICAL	JP25439	1PC
13	CONTROL CAM US62...103+UAK08/2M	JP16293	1PC
14	SELECTOR SHAFT US 62 ..103 ES/DS	JP24929	1PC
15	TAPPING SCREW ST4,8X32 TORX T20	JP16327	1PC
16	ROTARY SHAFT SEAL A12X24X4,5	SEAL KIT	1PC
NS	MICRO SWITCH WITH LEADS FOR U3 AND US	JP08219	1PC
SEAL KIT	SEAL KIT US 62...103	JP25629	1PC
	[KITS INC. 1, 2, 3, 4, 9, 10, 11 & 16]		