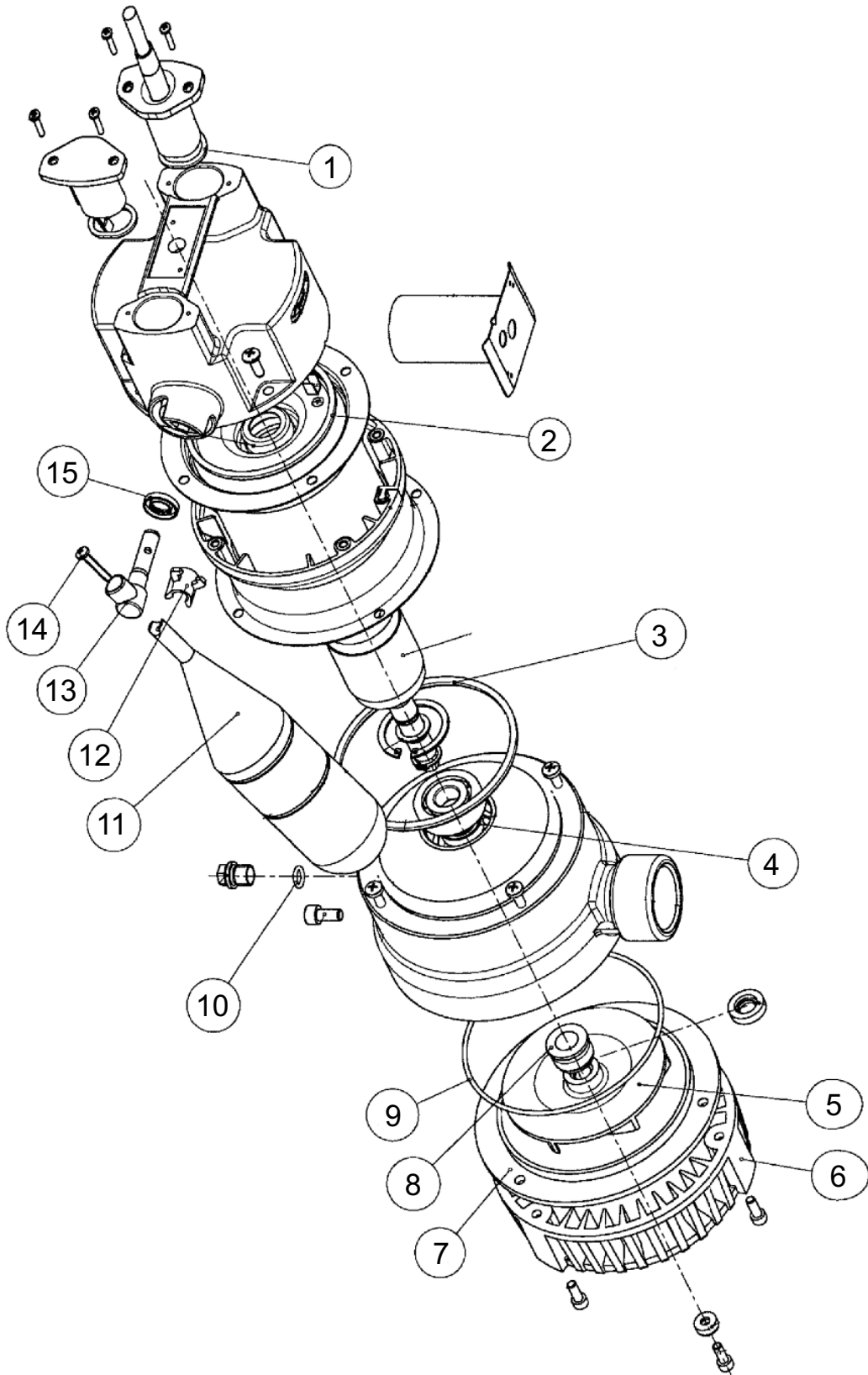


Jung US 62 & 102 ES Models

SUBMERSIBLE



Drawings are indicative only, product appearance may change slightly.

PARTS LIST TABLE

Jung US 62 & 102 ES Models

PUMP	US62ES	US102ES
PART NO.	JP44234	JP44176

REF NO.	COMPONENT DESCRIPTION	PART NO.		PART NO.	
1	O-RING 25 X 4	SEAL KIT	2PC	SEAL KIT	2PC
2	O-RING 98 X 5	SEAL KIT	1PC	SEAL KIT	1PC
3	O-RING 120,7 X 5,33	SEAL KIT	1PC	SEAL KIT	1PC
4	ROTARY SHAFT SEAL DIN 3760 BA DUO	SEAL KIT	1PC	SEAL KIT	1PC
5	VORTEX IMPELLER US+UB 102+103	JP23856	1PC	JP25153	1PC
6	FOOT STRAINER US 62,102,152	JP25135	1PC	JP25135	1PC
7	COVER F. PUMP CASING US+UB 62...253	JP25140	1PC	JP25140	1PC
8	MECH. SEAL 16X18,8 Q1/Q1	SEAL KIT	1PC	SEAL KIT	1PC
9	O-RING 135 X 3	SEAL KIT	1PC	SEAL KIT	1PC
10	O-RING 10 X 2,5	SEAL KIT	1PC	SEAL KIT	1PC
11	FLOAT LONG VERSION ASYMMETRICAL	JP25439	1PC	JP25439	1PC
12	CONTROL CAM US62...103+UAK08/2M	JP16293	1PC	JP16293	1PC
13	SELECTOR SHAFT US 62 ..103 ES/DS	JP16293	1PC	JP16293	1PC
14	TAPPING SCREW ST4,8X32 TORX T20	JP16327	1PC	JP16327	1PC
15	ROTARY SHAFT SEAL A12X24X4,5	SEAL KIT	1PC	SEAL KIT	1PC
NS	MICRO SWITCH WITH LEADS FOR U3 AND US	JP08219	1PC	JP08219	1PC
SEAL KIT	SEAL KIT US 62...103	JP25629	1PC	JP25629	1PC
	(KITS INC. 1, 2, 3, 4, 8, 9, 10 & 15)				

SUBMERSIBLE