

US 62-251

SUBMERSIBLE DRAINAGE PUMPS

10mm FREE PASSAGE



US 62 ES



FEATURES

- Safe to run dry.
- Free standing.
- 10 mm free passage.
- Controllable oil chamber.
- SiC mechanical seal independent of rotation direction.
- Replaceable moisture sealed cable inlet.
- Guide rail systems available.

APPLICATIONS

- Domestic waste water (without faecal matter).
- Rainwater.
- Drainage.
- Contaminated water.
- With 10mm coarse solids.

PUMP CONSTRUCTION MATERIALS

Single stage submersible, open centrifugal impeller, with 10mm free passage. US 62 & US 102 volute casing with 1½" discharge branch (female thread).

Pump casing:	Cast iron.
Impeller:	Glass reinforced plastic.
Wear plate:	Glass reinforced plastic.
Motor shaft:	304SS.
Mechanical seal:	Silicon carbide.
IP Rating:	IP68.

OPERATING CONDITIONS

Drainage pumps for the disposal of contaminated and abrasive waste water and drainage water with solids up to 10 mm particle size.

PERFORMANCE

Type	P/No	Delivery head H [m]	2	3	4	5	6	7	8	9	10	11	12
US 62 ES	JP44234	Flow rate Q [m ³ /h]	17	15	12	10	8	6	4	2			
US 102 ES	JP44176		26	23	21	19	17	15	12	10	8	5	

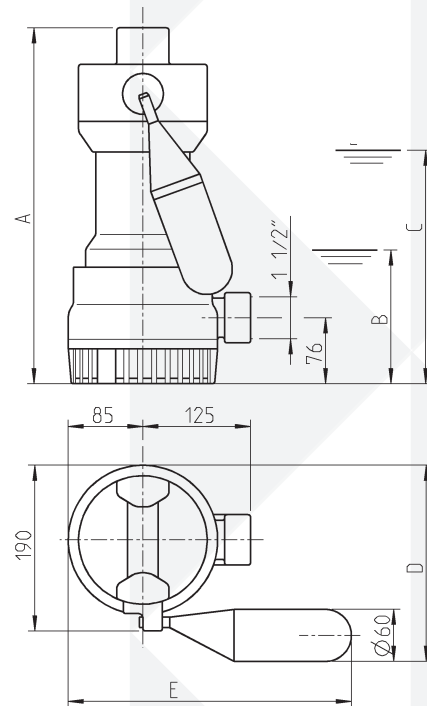
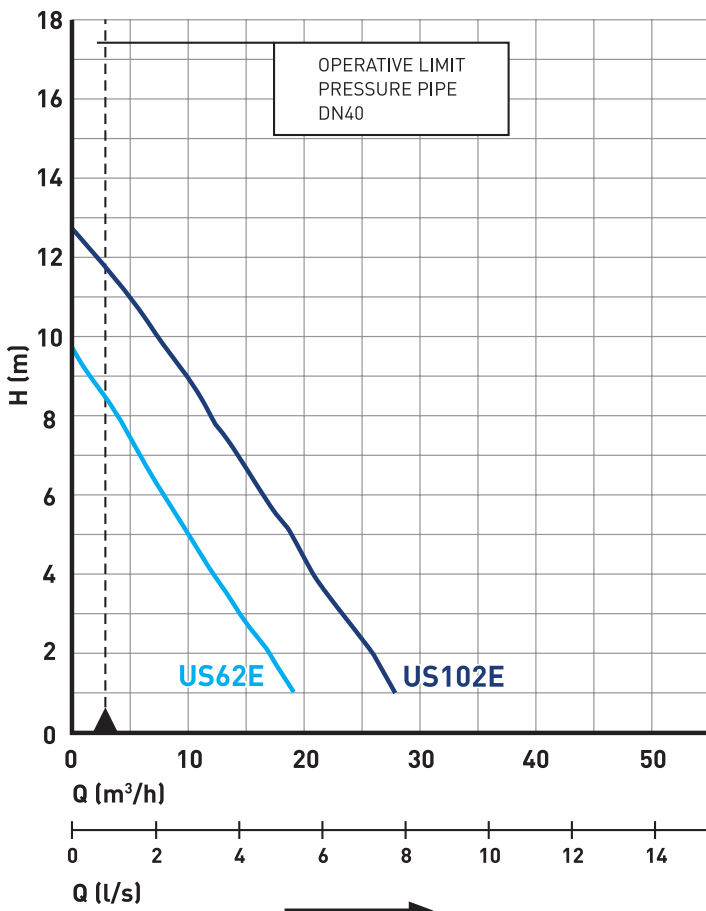
DIMENSIONS

Type	Maximum Height x Width x Depth	Discharge branch	Free passage	Cable quality H07RN-F-	Cable length	Weight approx.	Code No.
US 62 ES	380 x 225 x 325 mm	1½"	10 mm	3G1,0	10 m	12,7 kg	
US 102 ES	410 x 225 x 325 mm	1½"	10 mm	3G1,0	10 m	14,5 kg	

ELECTRICAL DATA

Type	Type of current	Voltage Volt	Motor rating kW		RPM min-1	Current Ampere	Motor protection	Plug
			P1	P2				
US 62 ES	1-phase	1/N/PE~230	0,83	0,50	2510	3,9	integrated	Safety-
US 102 ES	1-phase	1/N/PE~230	1,37	0,98	2700	6,0	integrated	Safety-

PERFORMANCE CURVE



US	A	B	C	D	E
62	380	125	240	225	325
102	410	155	270	225	325
62*	380	105	155	255	280
102*	410	135	185	255	280

* With low level float.



Head Office Pentair AU/NZ: 1-21 Monash Drive, Dandenong South, VIC 3175, Australia. www.pentair.com.au

All Pentair trademarks and logos are owned by Pentair, Ltd. All other brand or product names are trademarks or registered marks of their respective owners. Because we are continuously improving our products and services, Pentair reserves the right to change specifications without prior notice.

Pentair is an equal opportunity employer.

ABN 27 004 856 204 © 2012 Pentair, Ltd. All Rights Reserved.

© 2014 Pentair