



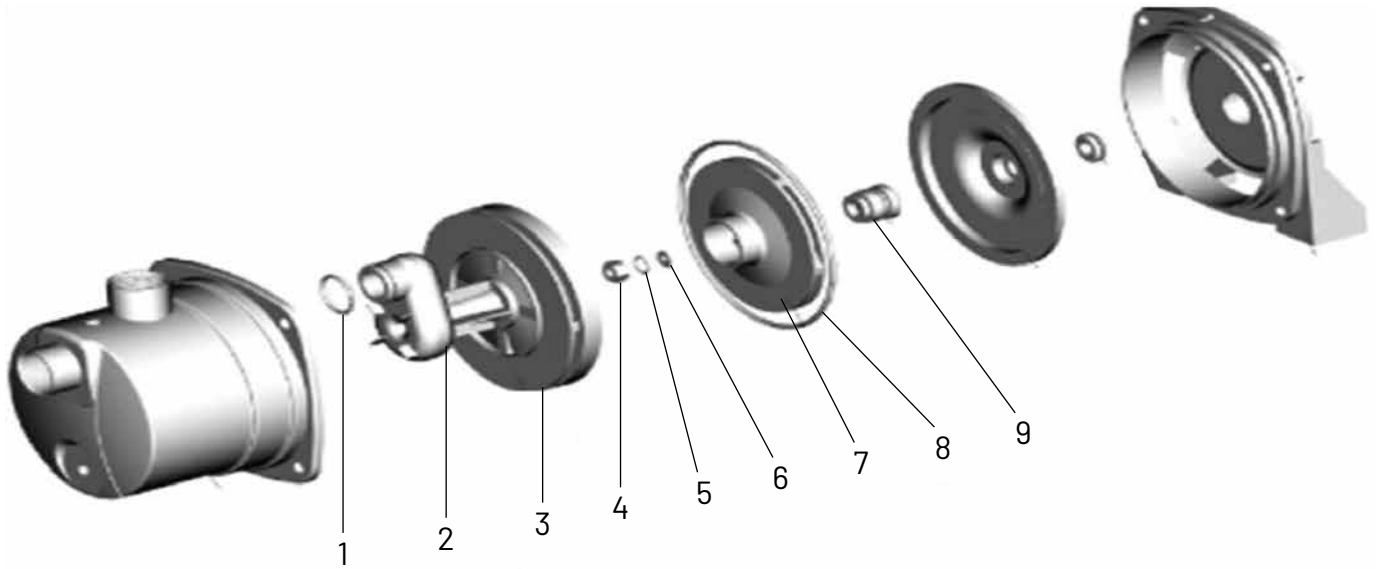
# AUTOJET & MULTIMAX

## SPARE PARTS

### KITS & EXPLODED DRAWINGS



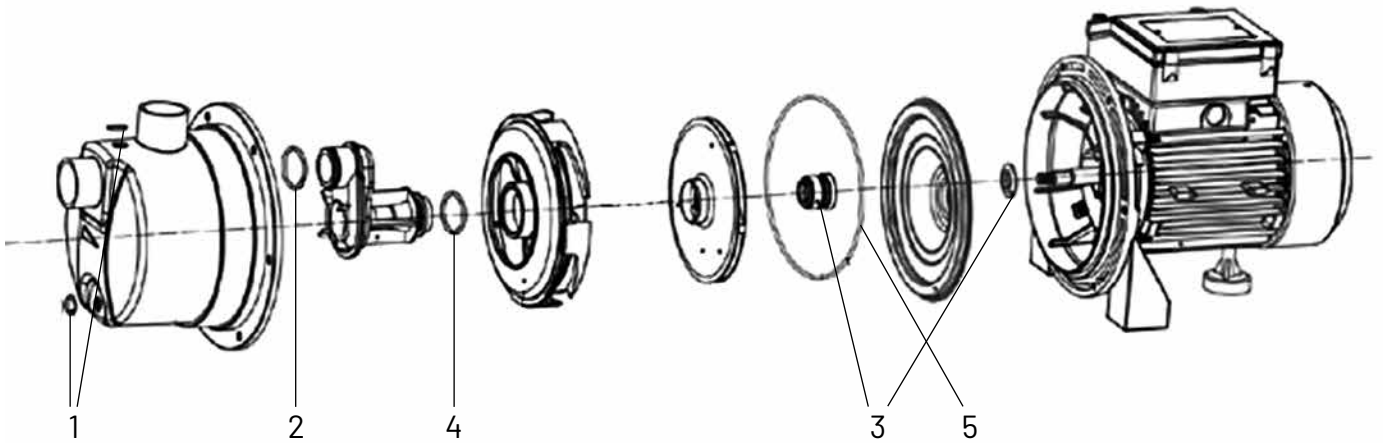
# AUTOJET 40



Drawings are indicative only, product appearance may change slightly.

Part No.	Description	Ref No.	Component Description	QTY
<b>AUTOJET 40</b>				
801299	Jet & Venturi Kit	1	O-Ring Seal	1
		2	Jet & Venturi	1
		3	Diffuser	1
801298	Impeller Kit	4	Hexangular Nut	1
		5	Spring Washer	1
		6	Plain Cushion	1
		7	Impeller	1
801297	Seal Kit	8	O- -Ring Seal	1
		9	Mechanical Seal	1

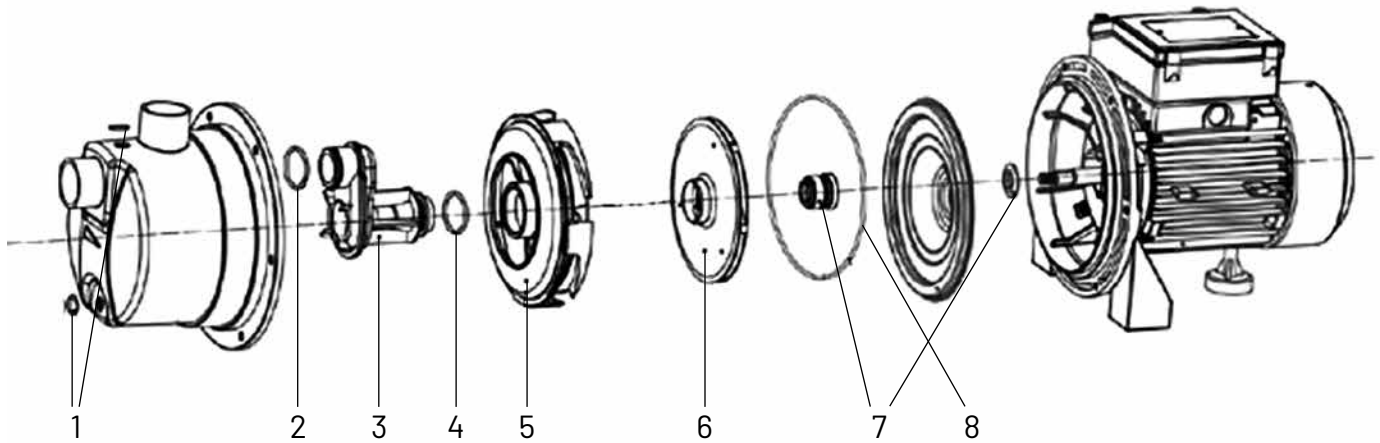
# AUTOJET 60



Drawings are indicative only, product appearance may change slightly.

Part No.	Description	Ref No.	Component Description	QTY
<b>AUTOJET 60</b>				
707688K	Seal Kit	3	Mechanical Seal	1
		5	Casing Seal	1
		2	Injector Seal 1	1
		4	Injector Seal 2	1
		1	Priming Plug Seals	2

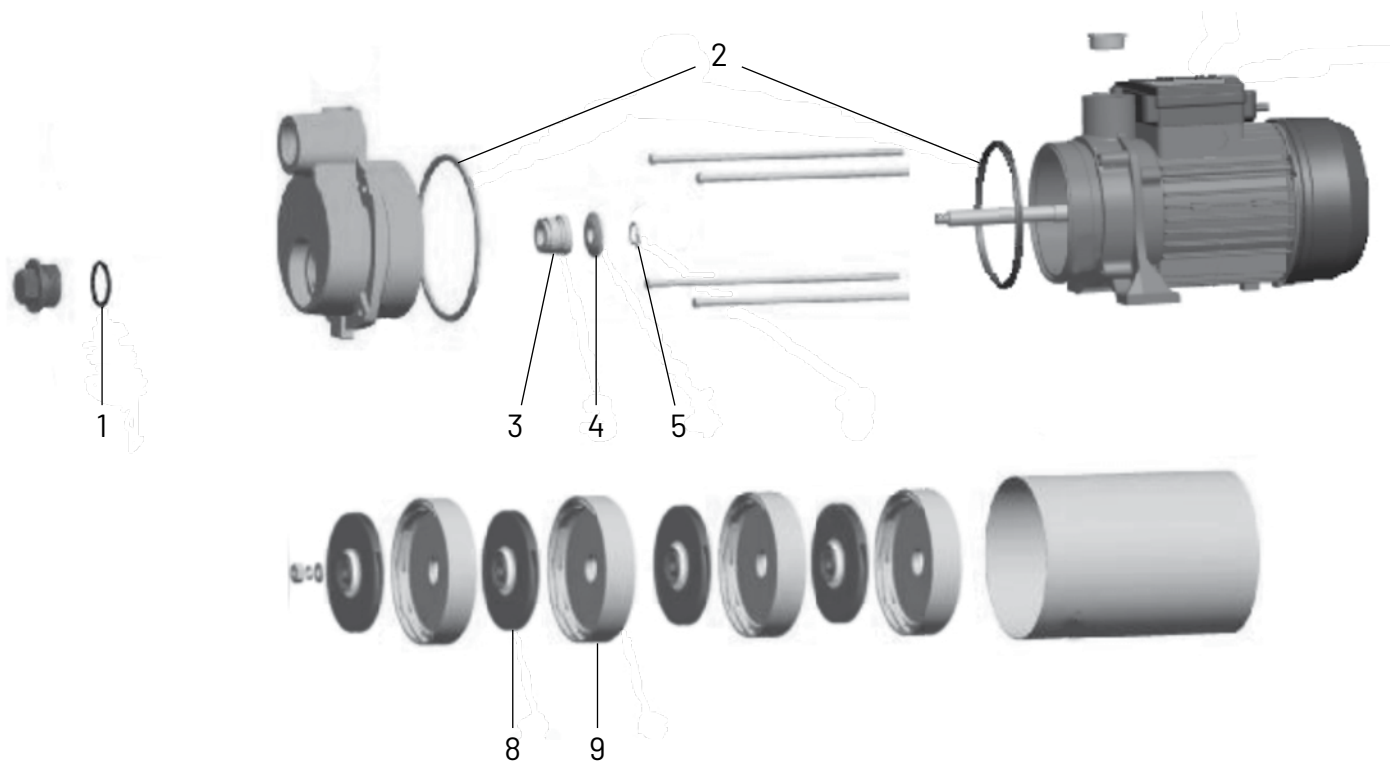
# AUTOJET 80



Drawings are indicative only, product appearance may change slightly.

Part No.	Description	Ref No.	Component Description	QTY
<b>AUTOJET 80</b>				
707691K	Seal Kit	1	Drain Plug Seal	2
		2	Injector Seal	1
		7	Mechanical Seal	1
		4	Injector Seal 2	1
707692K	Hydraulic Kit	8	Casing Seal	1
		3	Jet & Venturi	1
		5	Diffuser	1
		6	Impeller	1

# MULTIMAX 120



Drawings are indicative only, product appearance may change slightly.

Part No.	Description	Ref No.	Component Description	QTY
<b>MULTIMAX 120</b>				
707694K	Seal Kit	1	Drain Plug Seal	1
		2	Casing Seal	2
		5	Shaft Seal	1
		3	Mechanical Seal	1
		4	Mechanical Seal - Stationary	1
707695K	Hydraulic Kit	8	Impeller	1 (max 4 required)
		9	Diffuser	1 (max 4 required)



1-21 Monash Drive | Dandenong South, VIC 3175 | Australia | 1300 137 344 | [pentair.com.au](http://pentair.com.au)

Unless otherwise indicated, copyright in the content of this document is the property of Pentair Australia Holdings Pty Ltd under Australian copyright law. Content may not be reproduced or transmitted without our prior written permission.

© 2019 Pentair. All rights reserved. This document is subject to change without notice.

L100385-0224