

OMNIA

STAINLESS STEEL SUBMERSIBLE DRAINAGE PUMP



OMNIA



FEATURES

Strong, durable and corrosion resistant stainless steel construction.

Heat exchange chamber allows pump to run for long periods without complete immersion.

Drainage level to 35mm.*

Free passage to 20mm.

Vortex impeller.

Dual lip seal.

Float switch.

Moisture sealed cable inlet.

Max head -7m.

Max flow - 150lpm.

APPLICATIONS

- Disposal of domestic waste water.
- Dewatering (clean water).
- Fountains and water features.

PUMP INFORMATION

Vertical, single-stage, submersible pump capable of pumping solids up to 20mm in diameter. 1 1/4" BSP (male) discharge port.

Pump casing: 304SS.
Motor body: 304SS.
Impeller: 304SS.
Motor shaft: 304SS.
Mechanical seal: Dual lip seal.

OPERATING CONDITIONS

Drainage pump for the disposal of faecal free waste water, including rainwater and lightly polluted (non-aggressive) liquids containing particles up to 20mm. Install pump vertically (hose connection possible).

Fluid:	Water.
Maximum water temperature:	40°C.
Minimum water temperature:	1°C.
Maximum submergence:	7m.
Minimum drainage level:	35mm*
Pump on level (fact. set):	320mm.
Pump off level:	107mm.

*when operated manually.

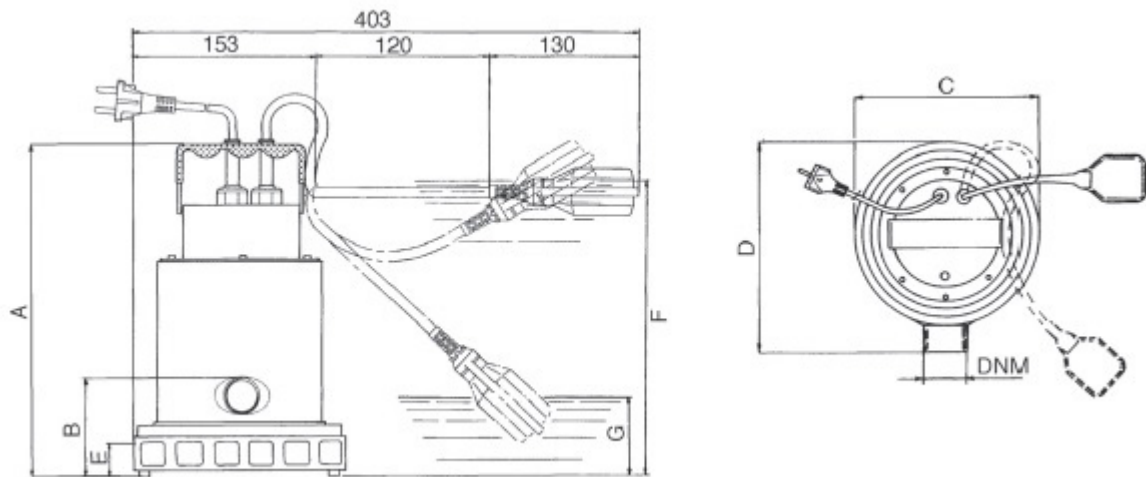
ELECTRICAL DATA

Type	Type of current	Voltage $\pm 10\%$	Frequency Hz	Motor rating kW		RPM min	Current Amperes	Motor protection	Insulation class	IP rating	Cable length
				P1	P2						
Omnia 160/7	1-phase	230	50	0.5	0.37	2850	2.5 A	Auto	F	IP 68	10 m

DIMENSIONS

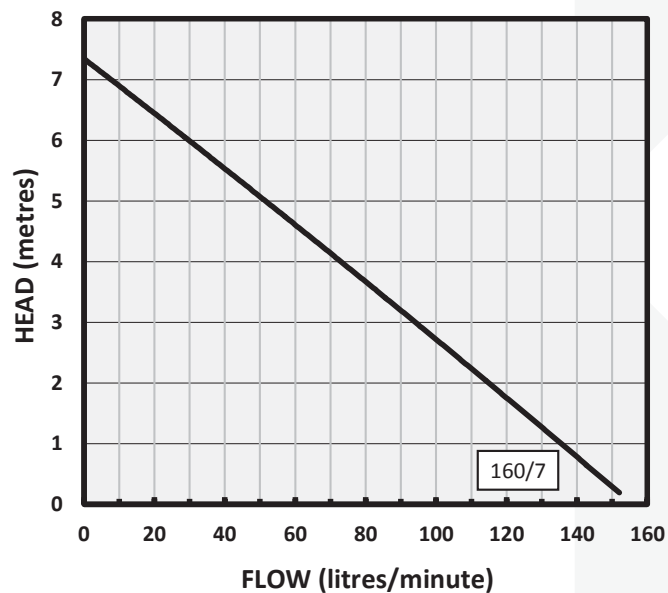
Type	A	B	C	D	E*	F	G	Weight approx.	Packed L x W x H	Packed weight	Discharge branch	Free passage	Continuous operating temperature range
Omnia	300	94	177	182	35	320	107	5.6 kg	220 x 190 x 165 mm	7.2kg	1 1/4" BSP (male)	20mm	1°C - 40°C

*Manual operation



PERFORMANCE

Type	P/No	Delivery head [m]	1	2	3	4	5	6	7
Omnia 160/7	P2081010	Flow rate capacity [lpm]	135	114	94	72	51	29	8



Head Office Pentair AU/NZ: 1-21 Monash Drive, Dandenong South, VIC 3175, Australia. www.pentair.com.au

All Pentair trademarks and logos are owned by Pentair, Ltd. All other brand or product names are trademarks or registered marks of their respective owners.

Because we are continuously improving our products and services, Pentair reserves the right to change specifications without prior notice.

Pentair is an equal opportunity employer.

ABN 27 004 856 204 © 2012 Pentair, Ltd. All Rights Reserved.

© 2015 Pentair