

WATER SWITCH

AUTOMATIC RAINWATER CONTROLLER

RAINWATER HARVESTING



WS1500200



FEATURES & BENEFITS

- Watermark approved.
- Automatic water saving device.
- Seamlessly switches between mains and rainwater tank.
- No mixing of mains and tank water.
- Dual non-return valve incorporated.
- Low pressure drop through device.
- Normally open solenoid allows mains water to flow as normal in case of power outage.
- Max. flow - >200 lpm (via pump inlet).

APPLICATIONS

- Use your rainwater for:
- the washing machine,
 - toilet flushing,
 - car washing,
 - garden watering.

OPERATING CONDITIONS

Suitable for use with mains and clean water without solids or fibres in suspension.

Fluid:	Water.
Minimum flow rate:	2 lpm.
Maximum water temperature:	40°C.
Minimum water temperature:	1°C.
Maximum ambient temperature:	40°C.
Minimum ambient temperature:	1°C.
Minimum mains pressure:	100kPa.
Maximum mains pressure:	1000kPa.



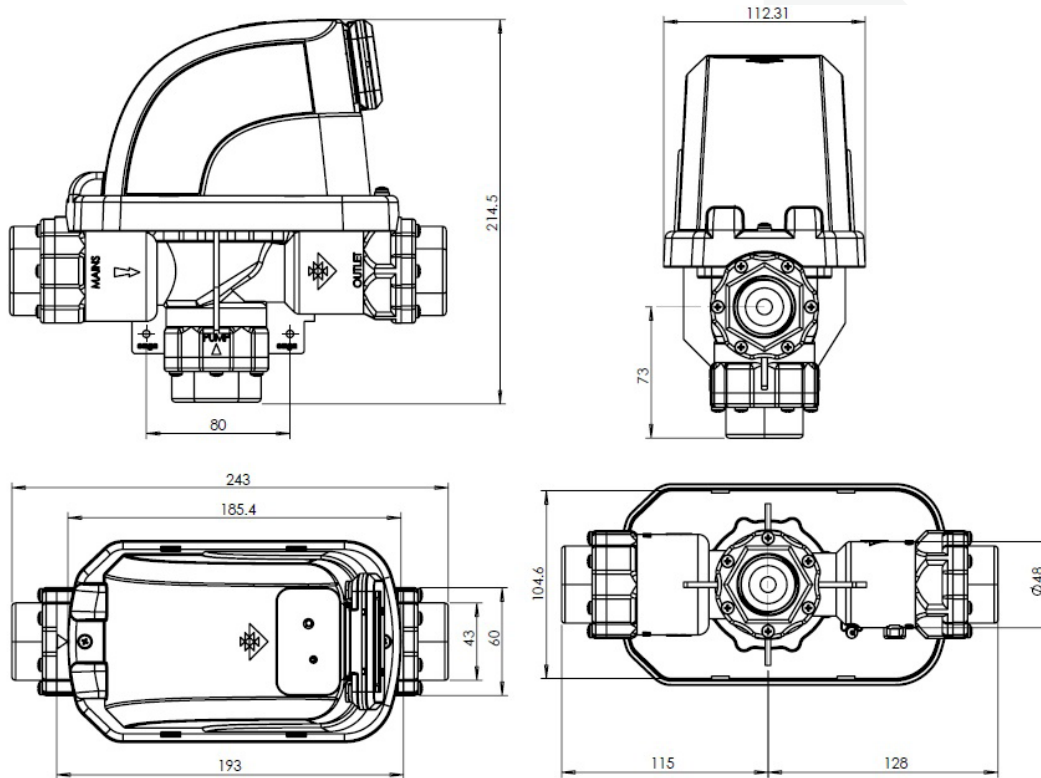
Approval number WMKA 21068
in accordance with ATSS200.477-2006.

ELECTRICAL DATA

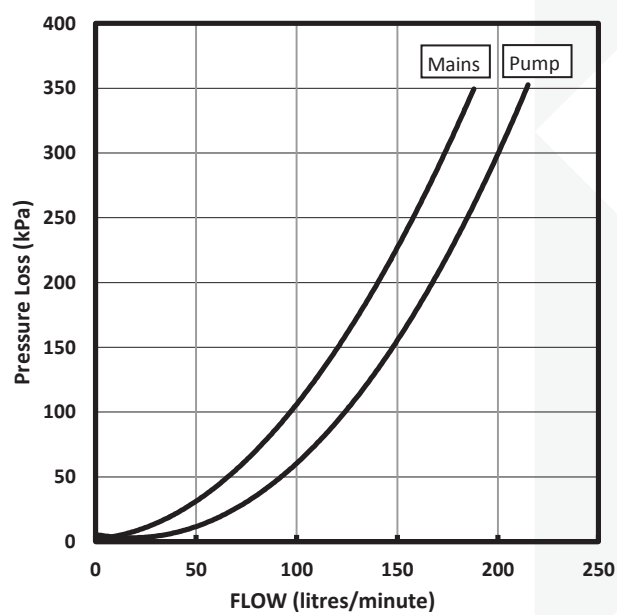
Type	Type of current	Voltage $\pm 10\%$	Maximum electrical load	IP rating
WS1500200	1-phase	230	10 A	IP44

DIMENSIONS

Type	Unit L x W x H	Weight approx.	Packed L x W x H	Packed weight approx.	Inlet / outlet ports
WS1500200	243 x 112.31 x 214.5mm	1.7 kg	280 x 275 x 135mm	2 kg	1" BSP (female)



PERFORMANCE



Head Office Pentair AU/NZ: 1-21 Monash Drive, Dandenong South, VIC 3175, Australia. www.pentair.com.au

All Pentair trademarks and logos are owned by Pentair, Ltd. All other brand or product names are trademarks or registered marks of their respective owners. Because we are continuously improving our products and services, Pentair reserves the right to change specifications without prior notice. Pentair is an equal opportunity employer.

ABN 27 004 856 204 © 2012 Pentair, Ltd. All Rights Reserved.

© 2015 Pentair

L100279 0715