

MULTICUT 08

SEWAGE CUTTER PUMP



- External adjustable cutting mechanism
- Cutting system of hardened stainless steel
- Reliable solids transport due to improved cutting technology
- Controllable oil chamber
- Installed motor protection
- SiC mechanical seal
- Moisture-sealed cable inlet with plug-in cable connection

DESCRIPTION

Centrifugal submersible sewage pumps fitted with the MultiCut cutting system are used as stationary appliances for back-pressure protection of detached houses. They are suitable for pumping domestic wastewater with the usual additions (as specified in German standard DIN 1986, Part 3).

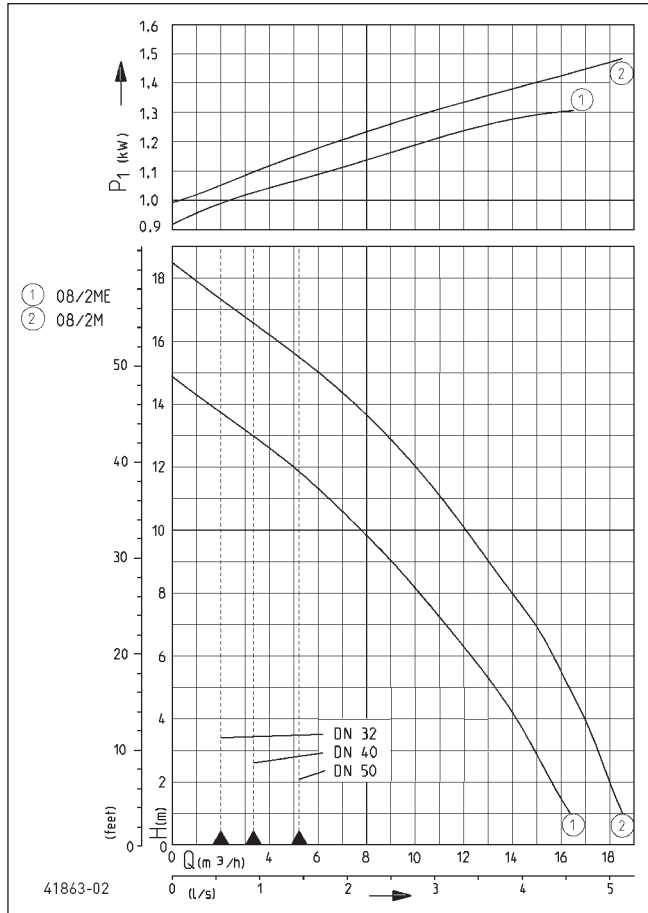
On account of the upstream cutting system, the pressurised line as from DN 32 - as from DN 80 minimum without cutting system - may be routed parallel to the terrain.

Operating conditions up to a temperature of the material to be transported of 40° celsius, submerged motor: continuous operation (S1), emerged motor: intermittent operation (S3) (e.g. 35% = 3.5 min. operation, 6.5 min. break).

The unique MultiCut cutting system ensures a maximum of operational safety at outstanding delivery characteristics. Fitted with a cutter plate made of hardened stainless steel and a three-bladed knife, it disintegrates coarse additions in the wastewater with more than 200,000 cutting processes per minute before they can enter the pump hydraulics. Solids which cannot be transported are rejected outside of the pump by the cutting rotor as the cutting system is located upstream from the pump hydraulics. Specifically arranged grooves on the cutter plate ensure additional safety as the cutting unit is permanently cleaned automatically during the delivery.

MultiCut sewage pumps are recommended for: wastewater containing solids and fibrous matter / wastewater containing sewage / domestic wastewater without sewage / mechanically cleaned wastewater.

PERFORMANCE



Type	Delivery head H [m]	1	2	3	4	5	6	7	8	9	10	11	12	13	14	15	16
① 08/2 ME/MES	Flow rate Q [m³/h]	16.5	15.5	15.0	14.0	13.0	12.0	11.0	10.0	9.0	7.5	6.5	5.0	3.5	1.5		
② 08/2 M/MS		18.5	18.0	17.5	17.0	16.5	15.5	15.0	14.0	13.0	12.0	11.0	10.0	9.0	7.5	6.0	4.5

We reserve the right to change specifications without notice. Pump performance is subject to ISO 9906 tolerances

This data is represented in the performance curve as a limit of application.

MULTICUT 08

SEWAGE CUTTER PUMP

SCOPE OF SUPPLY

Pump type ME + MES ready for connection with 10 m cable, with plug. Pump type M + MS ready for connection with 10 m cable, without plug. For pumps with built-in level control (S) the base is included in delivery.

MECHANICAL DATA

Pump	Vertical single-stage
Free passage	7 mm
Bearing	Ball bearings, grease-lubricated
Seal on motor side	Duplex rotary shaft seals
Oil chamber	Yes
Seal on medium side	SiC mechanical seal

Run dry protection	Yes
Impeller	Vortex impeller, GFK
Pump housing	Grey cast iron
Submersible	Yes
Pressure outlet	DN 32
Cutter assembly	Hardened stainless steel

ELECTRICAL DATA

Power line	10m H07RN-F
Type of enclosure	IP 68

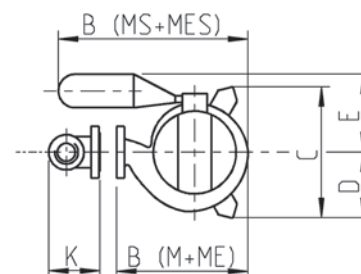
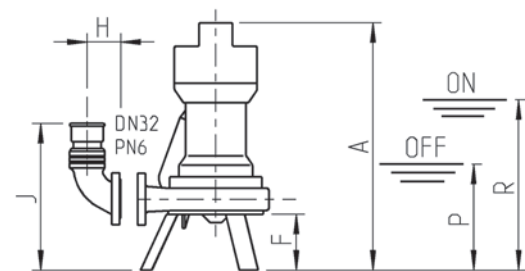
Winding thermostat	Yes
--------------------	-----

MULTICUT 08

Type	Code No.	Voltage	Motor rating		Current	Wires	Motor protection	Plug	S3	Motor housing	Weight
			P1	P2							
Without level control											
08/2 ME	JP50348	1/N/PE~230 V	1.37 kW	0.98 kW	6.0 A	3G1,0	In motor	ANZ	10 %	Stainless steel	16.2 kg
08/2 M	JP50344	3/PE~400 V	1.65 kW	1.24 kW	2.8 A	4G1,0	In motor	CEE-16A	10 %	Stainless steel	16.5 kg
With built-in level control											
08/2 MES	JP50347	1/N/PE~230 V	1.37 kW	0.98 kW	6.0 A	3G1,0	In motor	ANZ	10 %	Stainless steel	16.6 kg
08/2 MS	JP50345	3/PE~400 V	1.65 kW	1.24 kW	2.8 A	4G1,0	In motor	CEE-16A	10 %	Stainless steel	17.2 kg

Type	Code	Stocked
① 08/2ME	JP50348	AU
② 08/2M	JP50344	AU
① 08/2MES	JP50347	AU
② 08/2MS	JP50345	AU

Dimensions 08/2 M (mm)



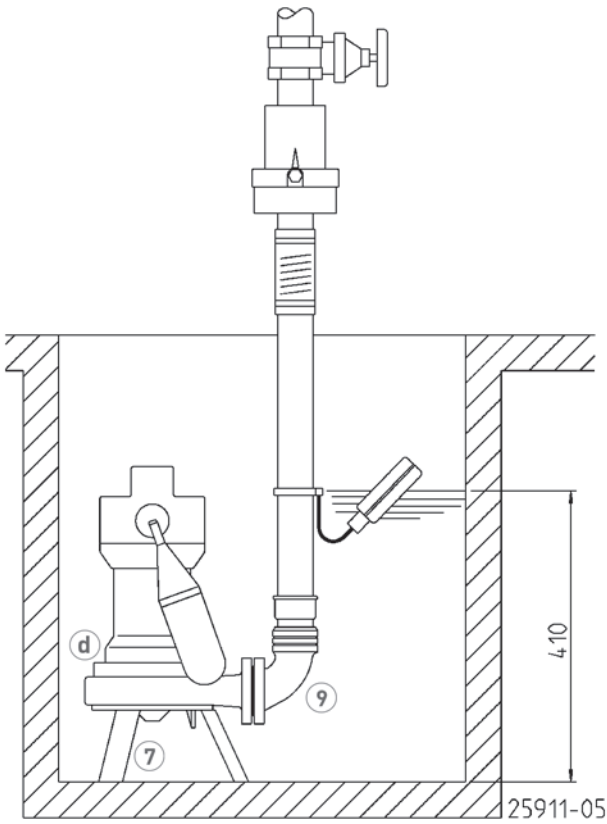
25981-09

Typ	A	B	C	D	E	F	G	H	J	K	P	R
08/2M +ME	445	235	230	-	-	100	128	60	265	90	-	-
08/2MS+MES	445	340	-	115	140	100	128	60	265	90	190	305

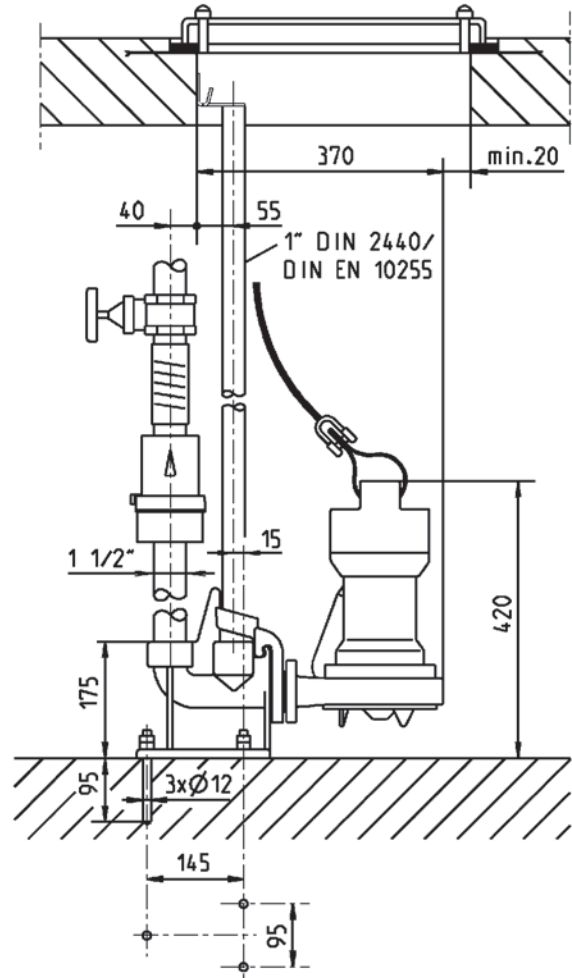
MULTICUT 08

SEWAGE CUTTER PUMP

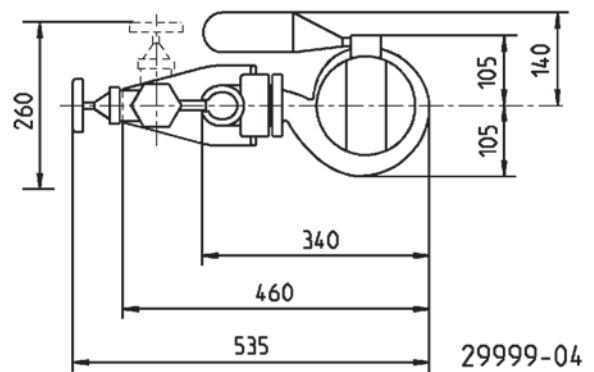
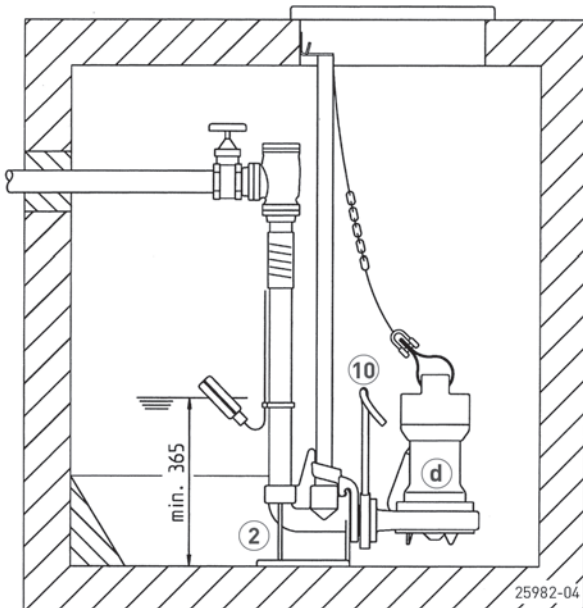
Example of pump base installation



Example of guide rail installation



Example of guide rail installation



Single unit - min. sump (cm)
 without GR: 40x40
 with GR and swing-type check valve: 40x65
 with GR and ball-type check valve: 40x65

MULTICUT 08

SEWAGE CUTTER PUMP

MECHANICAL ACCESSORY

			Code No.
②	Guide rail system GR 35	1 1/2" female thread for MultiCut 08 without Ex-proof	JP29953
⑦	Bases	(for 08/2 MS and MES in scope of supply)	JP44759
⑨	Pipe connection	1 1/4" (female thread)	JP16870
⑩	Flushing tube	Type I-M stainless steel with connection flange	JP40333

PUMP CONTROLLER

Type	Code no.	Single pump controller	Dual pump controller	Float switch 10 m	Float switch 15 m	Float switch 20m	Float switch 30 m	Float switch 40 m
Without level control								
08/2 M	JP50344	PPC-15006-A	PPC-30030-A					
08/2 MS	JP50345	PPC-15006-A	PPC-30030-A	FSW-10M	FSW-15M	FSW-20M	FSW-30M	FSW-40M