

# MULTICUT SEWAGE CUTTER PUMP

- External adjustable cutting mechanism
- Cutting system of hardened stainless steel
- Reliable solids transport due to improved cutting technology
- Controllable oil chamber
- SiC mechanical seal
- Moisture-sealed cable inlet with plug-in cable connection
- Installed motor protection



## DESCRIPTION

Centrifugal submersible sewage pumps fitted with the MultiCut cutting system are used as stationary appliances in pressurized drainage systems for discharge in sparsely populated areas or of detached houses. They are suitable for pumping domestic wastewater with the usual additions (as specified in German standard DIN 1986, Part 3).

On account of the upstream cutting system, the pressurized line as from DN 32 - as from DN 80 minimum without cutting system - may be routed parallel to the terrain.

Operating conditions up to a temperature of the material to be transported of 40° Celsius

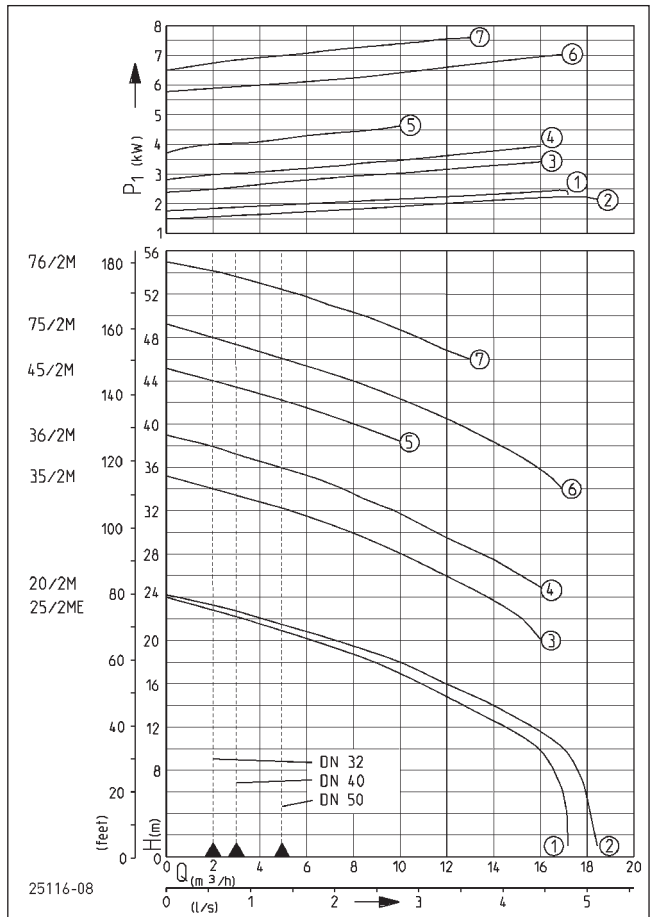
Submerged motor: Continuous operation (S1)

Emerged motor: Intermittent operation (S3)(e.g. 20% = 2 min. operation, 8 min. break)

The unique MultiCut cutting system ensures a maximum of operational safety at outstanding delivery characteristics. Fitted with a cutter plate made of hardened stainless steel and a three bladed knife, it disintegrates coarse additions in the wastewater with more than 200,000 cutting processes per minute before they can enter the pump hydraulics. Solids which cannot be transported are rejected outside of the pump by the cutting rotor as the cutting system is located upstream from the pump hydraulics. Specifically arranged grooves on the cutter plate ensure additional safety as the cutting unit is permanently cleaned automatically during the delivery.

MultiCut sewage pumps are recommended for: wastewater containing solids and fibrous matter / wastewater containing sewage / domestic wastewater without sewage / mechanically cleaned wastewater.

## PERFORMANCE



Type	Delivery head H [m]	6	9	12	15	18	21	25	28	32	34	36	38	40	44	46	48	50	52	54
② 20/2 M plus	Flow rate Q [m³/h]	18	17	16	13	10	6													
① 25/2 ME		17	16	15	12	9	5													
③ 35/2 M						16	13	10	5											
④ 36/2 M							16	14	10	7	5	2								
⑤ 45/2 M												10	8	2						
⑥ 75/2 M										17	16	15	13	8	5	2				
⑦ 76/2 M															13	11	9	6	3	

Specifications can be changed without notice. Performance subject to ISO 9906 tolerances. This data is represented in the performance curve as a limit of application.

# MULTICUT

## SEWAGE CUTTER PUMP

### SCOPE OF SUPPLY

Sewage pump without explosion-proof with 10 m cable, without plug, without base.

### MECHANICAL DATA

Pump	Vertical single-stage
Free passage	7 mm
Bearing	Ball bearings, grease-lubricated
Seal on motor side	Duplex shaft seal, from 75/2M: mechanical seal
Oil chamber	Yes
Seal on medium side	SiC mechanical seal

Run dry protection	Yes
Impeller	Vortex impeller, grey cast iron 20/2 M: GFK
Motor housing	Grey cast iron
Pump housing	Grey cast iron
Submersible	Yes
Pressure outlet	DN 32
Cutter assembly	Hardened stainless steel

### ELECTRICAL DATA

Power line	10m H07RN-F
Type of enclosure	IP 68
Insulation class	F

Winding thermostat	Yes
Motor protection	Thermostat

### MULTICUT

Type	Code No.	Voltage	Motor rating		Current	Wires	Fuse	S3	Weight
			P1	P2					
<b>Without level control</b>									
20/2 M plus	<b>JP50350</b>	3/PE~400 V	2.40 kW	1.91 kW	4.0 A	6G1,5	10 A	25 %	29.0 kg
25/2 ME*	<b>JP50356*</b>	1/N/PE~230 V	2.70 kW	2.04 kW	12.0 A	6G1,5	16 A	35 %	38.0 kg
35/2 M	<b>JP50357</b>	3/PE~400 V	3.70 kW	3.04 kW	6.6 A	6G1,5	10 A	40 %	40.5 kg
36/2 M	<b>JP50363</b>	3/PE~400 V	4.20 kW	3.42 kW	7.3 A	6G1,5	10 A	30 %	40.5 kg
45/2 M	<b>JP50369</b>	3/PE~400 V	4.84 kW	3.93 kW	7.9 A	6G1,5	10 A	25 %	42.0 kg
75/2 M	<b>JP50375</b>	3/PE~400/690 V	7.70 kW	6.60 kW	13.2 A/7.7 A	10G2,5	20 A	30 %	90.0 kg
76/2 M	<b>JP50377</b>	3/PE~400/690 V	7.70 kW	6.60 kW	13.2 A/7.7 A	10G2,5	20 A	30 %	90.0 kg

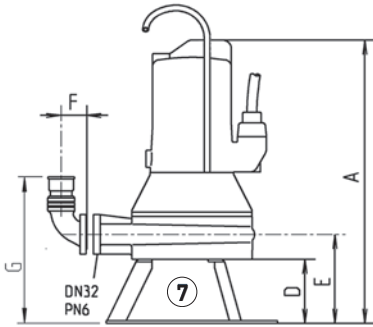
\*25/2 ME requires controller with built in capacitor to operate. Controller model: PPC-15025-D

Type	Code	Stocked
② 20/2 M plus	<b>JP50350</b>	AU
① 25/2 ME*	<b>JP50356*</b>	AU
③ 35/2 M	<b>JP50357</b>	AU
④ 36/2 M	<b>JP50363</b>	AU
⑤ 45/2 M	<b>JP50369</b>	AU
⑥ 75/2 M	<b>JP50375</b>	AU
⑦ 76/2 M	<b>JP50377</b>	AU

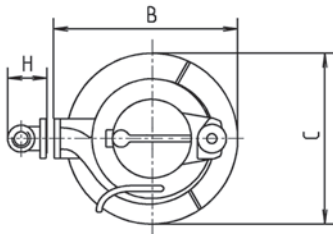
# MULTICUT

## SEWAGE CUTTER PUMP

### Dimensions pump base (mm)



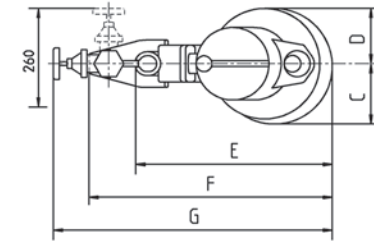
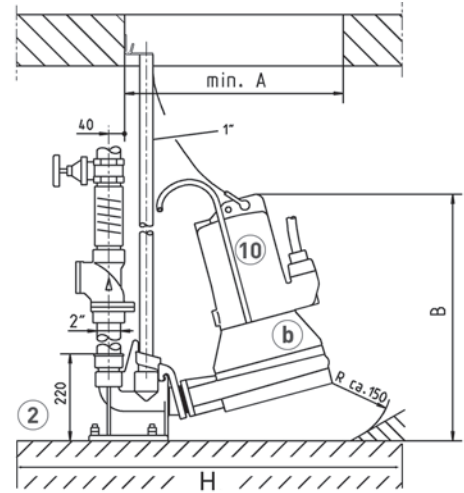
1 1/4"  
1 1/4"-1 1/2"



Typ	A	B	C	D	E	F	G	H
20/2M	440	290	230	100	140	60	230	90
25/2ME	520	330	250	140	180	60	270	90
35/2M+36/2M	520	330	250	140	180	60	270	90
45/2M	520	330	255	140	180	60	270	90
75/2M+76/2M	665	430	400	150	210	60	300	90

22625-09

### Example of guide rail installation (mm)



25612-08

	A	B	C	D	E	F	G	H	min.
20/2M plus	430	450	110	110	380	500	585	400 x 700mm	
25/2ME-36/2M	470	490	125	125	420	540	635	400 x 700mm	
45/2M	470	490	130	125	420	540	635	400 x 700mm	
75/2M+76/2M	545	625	155	140	500	615	705	400 x 800mm	

### MECHANICAL ACCESSORY

			Code No.
②	Guide rail system		
	GR 35	1 1/2" female thread for MultiCut pumps	JP14094
⑦	Pump base		
		20/2M	JP44759
		M	25/2ME - 45/2M
		M 220	75/2M - 76/2M
			JP20980
			JP22302
⑨	Pipe connection	1 1/4" (female thread)	JP16870
⑩	Flushing tube		
		Type 0	08 Ex, 20/2
		Type I	10/... - 45/...
		Type II	55/... - 100/...
			JP45408
			JP28221
			JP28222

# MULTICUT

## SEWAGE CUTTER PUMP

---

### PUMP CONTROLLER

Type	Code no.	Single pump controller	Dual pump controller	Float switch 10 m	Float switch 15 m	Float switch 20m	Float switch 30 m	Float switch 40 m
<b>Without level control</b>								
20/2 M plus	<b>JP50350</b>	PPC-15006-B	PPC-30030-A					
25/2 ME*	<b>JP50356*</b>	PPC-15025-D	NA					
35/2 M	<b>JP50357</b>	PPC-15006-C	PPC-30030-C					
36/2 M	<b>JP50363</b>	PPC-15006-C	PPC-30030-C	FSW-10M	FSW-15M	FSW-20M	FSW-30M	FSW-40M
45/2 M	<b>JP50369</b>	PPC-15006-C	PPC-30030-C					
75/2 M	<b>JP50375</b>	PPC-15006-D	PPC-30030-D					
76/2 M	<b>JP50377</b>	PPC-15006-D	PPC-30030-D					