

U3 KS

DRAINAGE PUMP



- Cooling jacket for motor housing
- Low level pumping by detachable strainer base
- Flushing device activatable and deactivatable
- Variable discharge branch with closable ventilation
- Run dry protection
- EIP Technology
- Moisture sealed cable inlet
- Fluid temperature 35 °C, temporarily 60 °C (10 min.)

DESCRIPTION

The U3 KS are versatile submersible pumps for stationary and portable use. GID technology for more operational safety, an integrated flushing device to reduce deposits and the integrated low level pumping to remove flooding ensure many years of trouble-free operation.

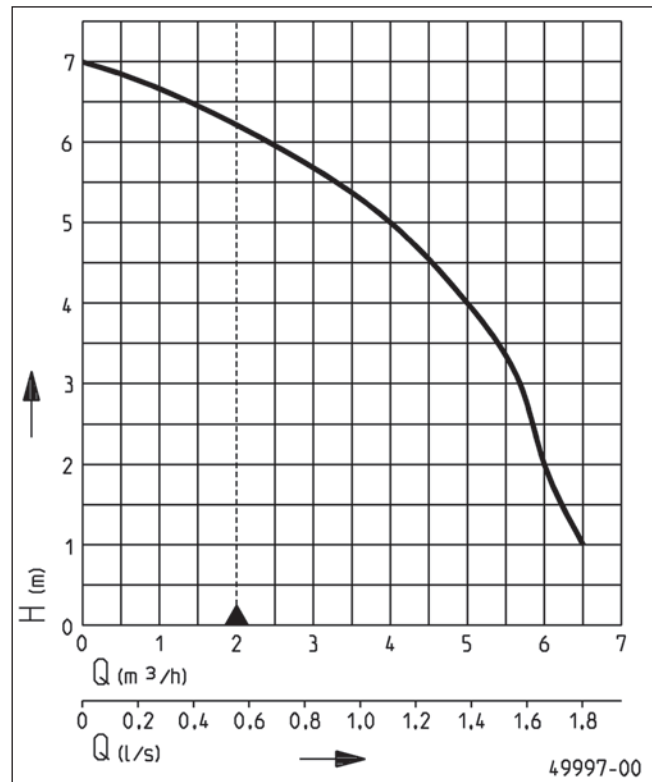
The U3 KS is ideal for pumping rainwater, slightly polluted water or domestic wastewater (grey water), also from household dishwashers and washing machines (also high temperature).

The U3 KS can be combined with the above- and underfloor tank of the Hebefix series.

Should the sump or tank temporarily run dry, the pump is automatically vented via an opening in the discharge elbow.

The U3 KS must not be used for pumping wastewater containing faeces or wastewater from urinal systems

PERFORMANCE



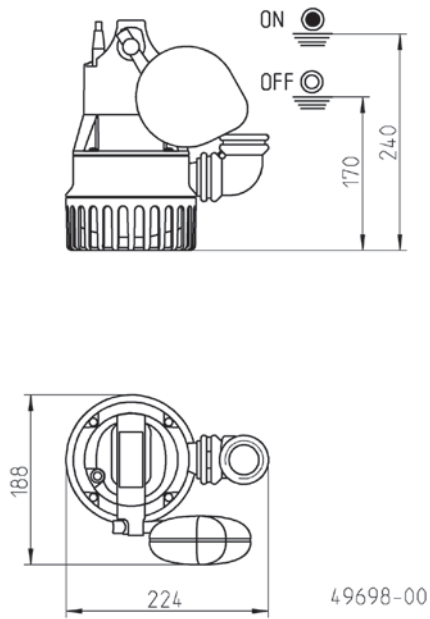
Type	Delivery head H [m]	1	2	3	4	5	6
U3 KS	Flow rate Q [m³/h]	6.5	6.0	5.7	5.0	4.0	2.4

We reserve the right to change specifications without notice. Pump performance is subject to ISO 9906 tolerances
This data is represented in the performance curve as a limit of application.

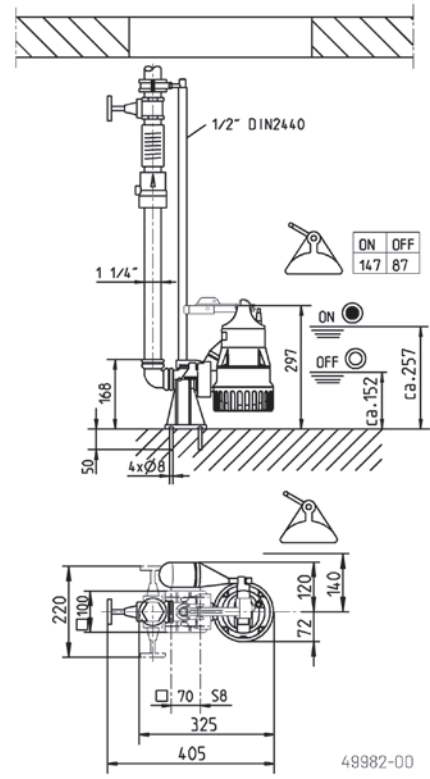
U3 KS

DRAINAGE PUMP

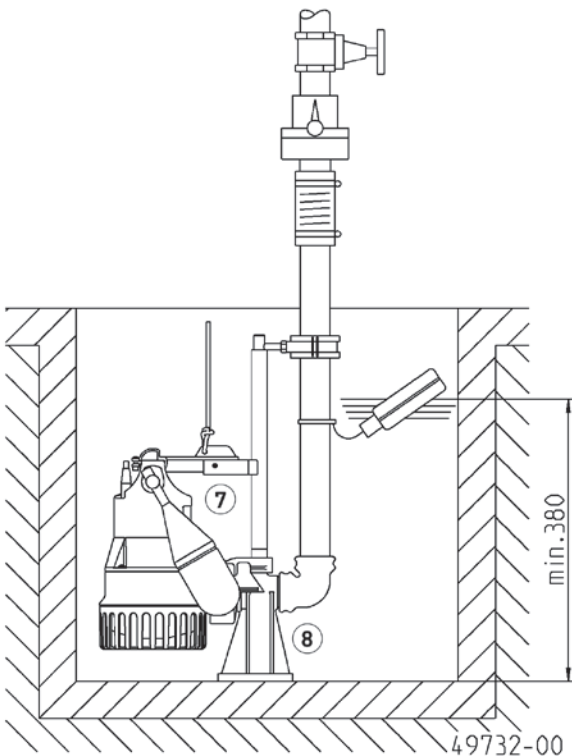
Dimensions and switching points special float (mm)



Dimensions GR 32 (mm)



Example of single pump installation with GR

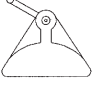


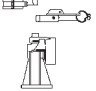


Single unit with GR: sump area min. 40x50 cm or Ø 50 cm
 Single unit without GR: sump area min. 40x40 cm or Ø 40 cm

U3 KS

DRAINAGE PUMP

MECHANICAL ACCESSORY

			Code No.
	7 Special float	for lower switching points	JP44795
		for narrow chambers (mind. 30x30 od Ø30 cm)	JP40856
	Float fixation	for continuous pump operation	JP42175
	8 Guide rail system	GR 32	JP44000