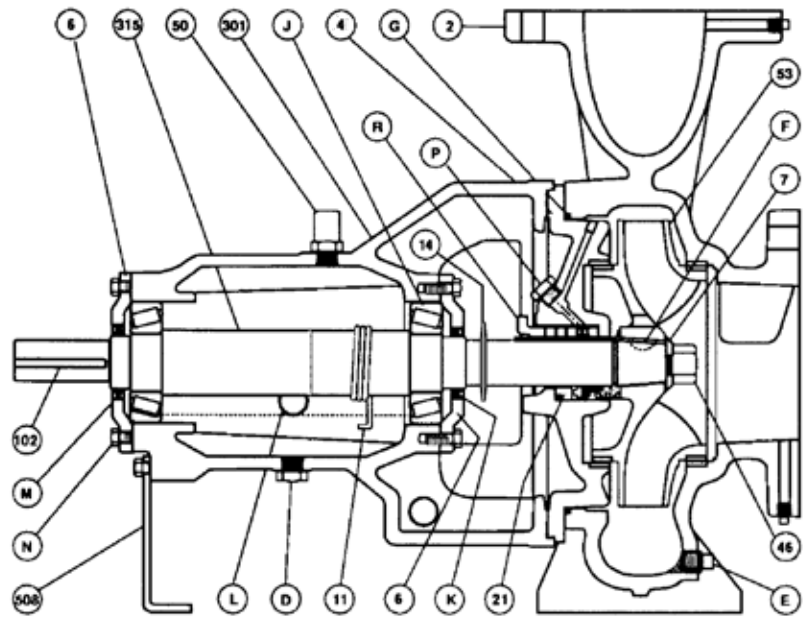


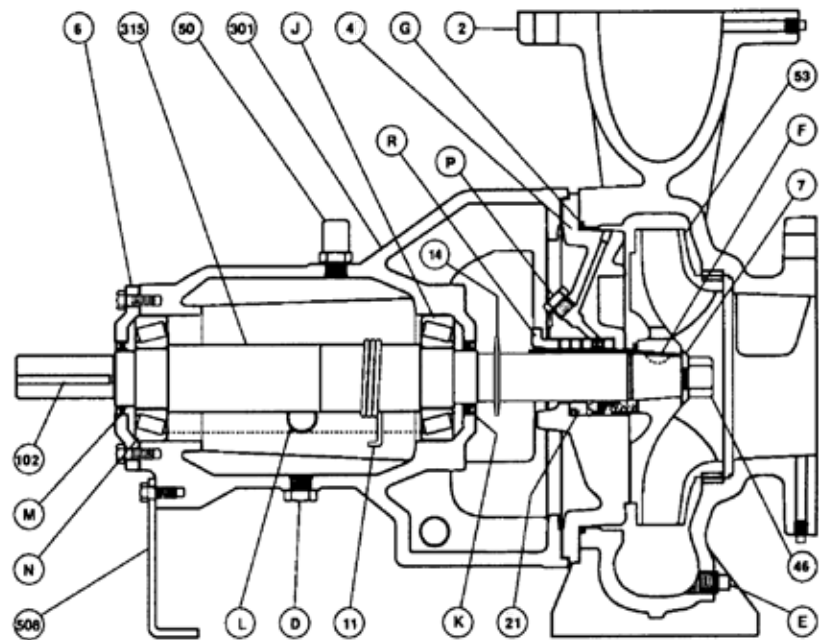
**CENTRIFUGAL PUMPS**

# ISO-PRO

## No. 1, 2 and 3 SHAFT PUMP



## No. 4 SHAFT PUMP



| ITEM NO. | DESCRIPTION     | ITEM NO. | DESCRIPTION     | ITEM NO. | DESCRIPTION              |
|----------|-----------------|----------|-----------------|----------|--------------------------|
| 2        | Volute Casing   | 53       | Impeller        | J        | Bearing - Impeller End   |
| 4        | Backplate       | 102      | Shaft Key       | K        | Dust Seal - Impeller End |
| 6        | Bearing Cover   | 301      | Bearing Housing | L        | Oil Level Plug           |
| 7        | Impeller Washer | 315      | Shaft           | M        | Dust Seal Drive End      |
| 11       | Oil Thrower     | 508      | Support Foot    | N        | Bearing - Drive End      |
| 14       | Water Slinger   | D        | Oil Drain Plug  | P        | Gland Flushing Plug      |
| 21       | Mechanical Seal | E        | Casing Plug     | R        | Packed Gland             |
| 46       | Impeller Nut    | F        | Impeller Key    |          |                          |
| 50       | Oil Breather    | G        | Casing O-Ring   |          |                          |



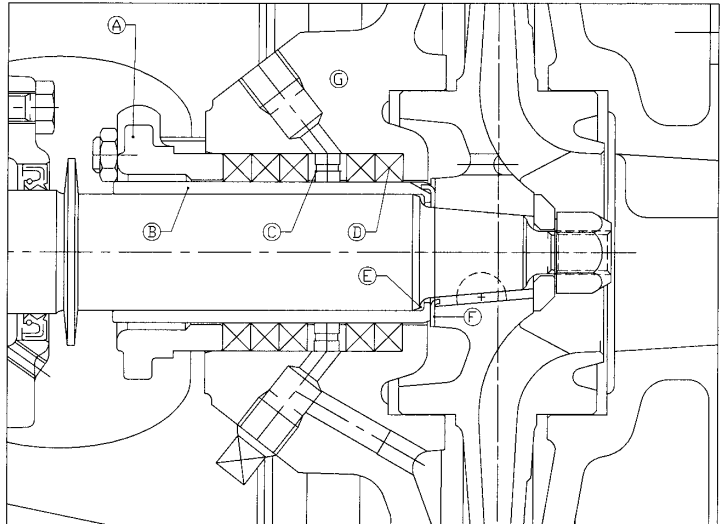
**CENTRIFUGAL PUMPS**

**ISO-PRO**

**PACKED GLAND OPTION**

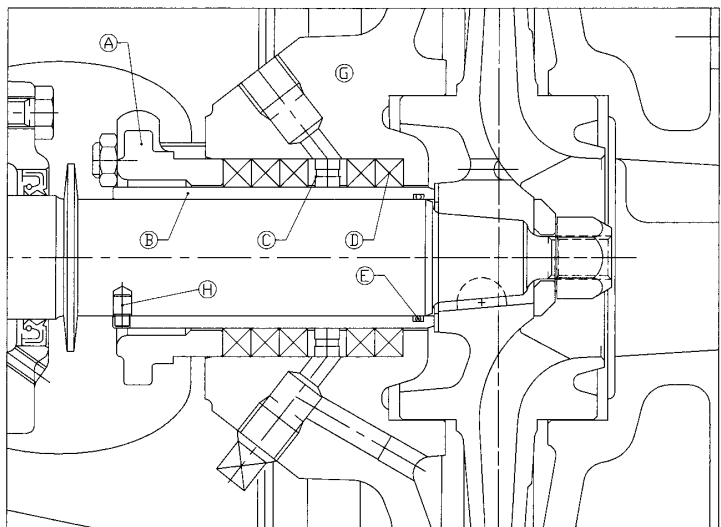
**No. 1 & 2 SHAFT**

| ILLUS PART NO. | DESCRIPTION             |
|----------------|-------------------------|
| A              | Gland Follower          |
| B              | Shaft Sleeve            |
| C              | Lantern Ring            |
| D              | Packing Ring (Set of 5) |
| E              | O-Ring                  |
| F              | Tab Washer              |
| G              | Backplate - Cast Iron   |
| G              | Backplate - Zinc Free   |
| G              | Backplate - Cast SS     |
| G              | Backplate - SG Iron     |



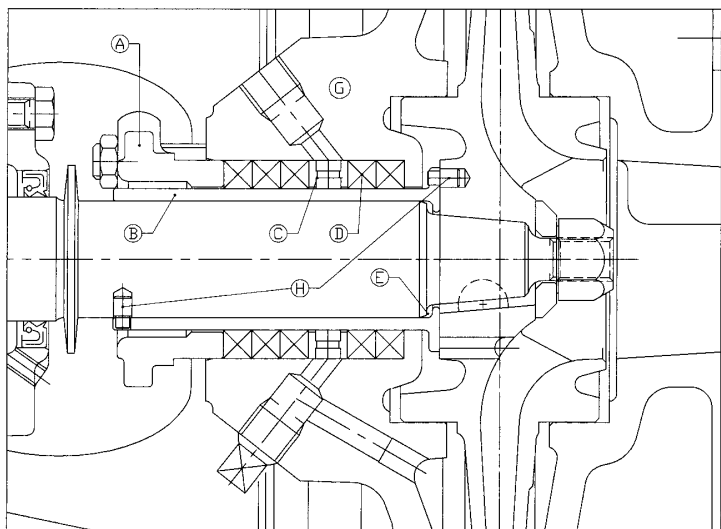
**No. 3 SHAFT**

| ILLUS PART NO. | DESCRIPTION             |
|----------------|-------------------------|
| A              | Gland Follower          |
| B              | Shaft Sleeve            |
| C              | Lantern Ring            |
| D              | Packing Ring (Set of 5) |
| E              | O-Ring                  |
| F              | Tab Washer              |
| G              | Backplate - Cast Iron   |
| G              | Backplate - Zinc Free   |
| G              | Backplate - Cast SS     |
| G              | Backplate - SG Iron     |
| H              | Shaft Sleeve Drive Pin  |



**No. 4 SHAFT**

| ILLUS PART NO. | DESCRIPTION             |
|----------------|-------------------------|
| A              | Gland Follower          |
| B              | Shaft Sleeve            |
| C              | Lantern Ring            |
| D              | Packing Ring (Set of 5) |
| E              | O-Ring                  |
| F              | Tab Washer              |
| G              | Backplate - Cast Iron   |
| G              | Backplate - Zinc Free   |
| G              | Backplate - Cast SS     |
| G              | Backplate - SG Iron     |
| H              | Shaft Sleeve Drive Pin  |



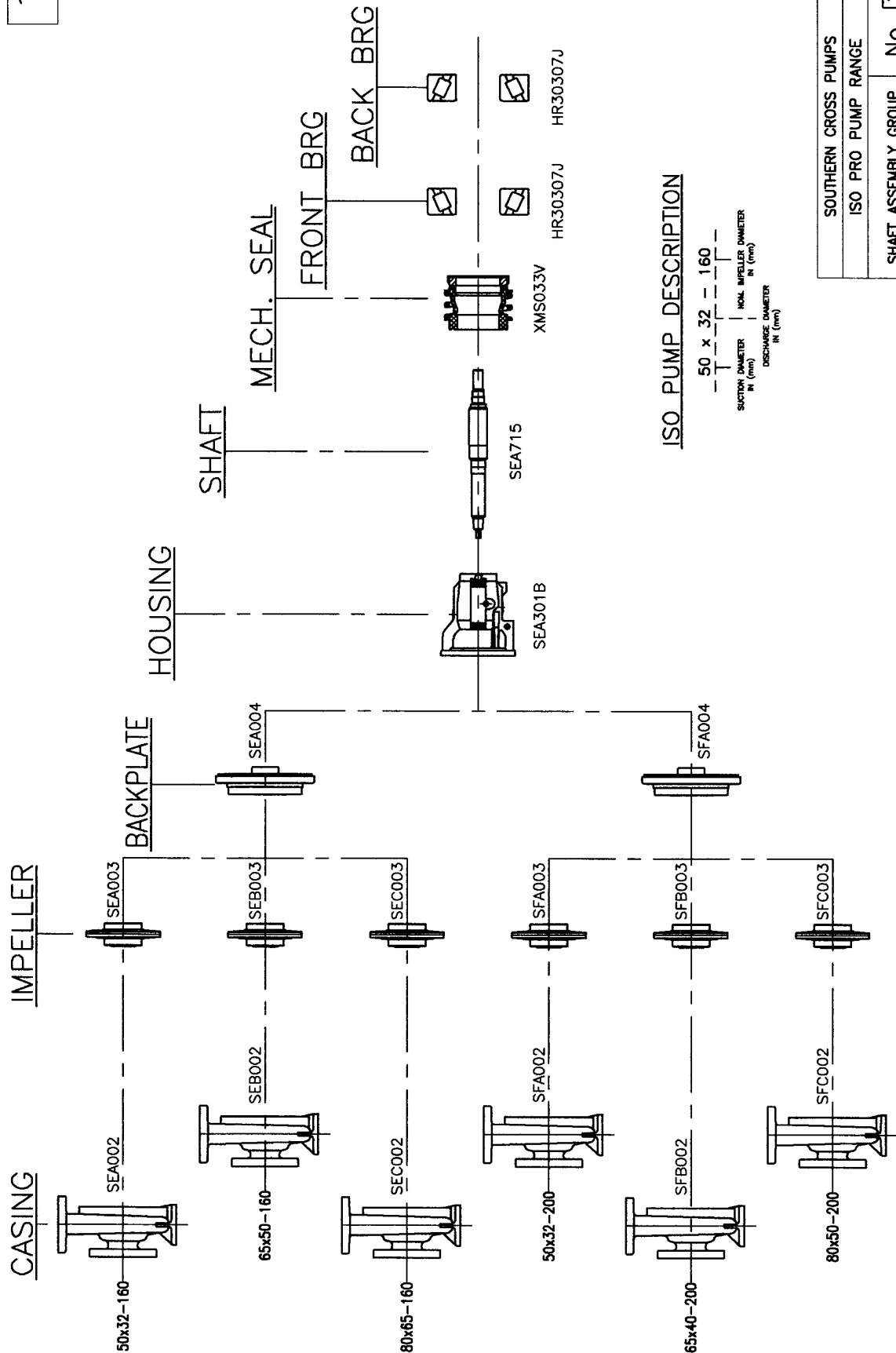


CENTRIFUGAL PUMPS

ISO-PRO

No. 1 SHAFT MODULE

1



|                      |       |
|----------------------|-------|
| SOUTHERN CROSS PUMPS |       |
| ISO PRO PUMP RANGE   |       |
| SHAFT ASSEMBLY GROUP | No. 1 |

**CENTRIFUGAL PUMPS****ISO-PRO****No. 1 SHAFT MODULE**

Code:

**PREA1****PREB1****PREC1**

Model:

**50x32-160****65x50-160****80x65-160**

| Illus No. | Description                  | Material                                       | Part no.  | Part no.  | Part no.  |
|-----------|------------------------------|--|-----------|-----------|-----------|
| 301       | Bearing Housing              | Cast Iron                                      | SEA301B   | SEA301B   | SEA301B   |
| -         | Safety Guard - Left          | Galvanised Mild Steel                          | SEA311L   | SEA311L   | SEA311L   |
| -         | Safety Guard - Right         | Galvanised Mild Steel                          | SEA311R   | SEA311R   | SEA311R   |
| 2         | Volute Casing - Table E      | Cast Iron                                      | SEA002    | SEB002    | SEC002    |
| 2         | Volute Casing - Table E      | ZF Bronze                                      | SEA052    | SEB052    | SEC052    |
| 2         | Volute Casing - Table E      | 316SS  | SEA062    | SEB062    | SEC062    |
| 53        | Impeller                     | Cast Iron                                      | SEA003    | SEB003    | SEC003    |
| 53        | Impeller                     | ZF Bronze                                      | SEA053    | SEB053    | SEC053    |
| 53        | Impeller                     | 316SS  | SEA063    | SEB063    | SEC063    |
| 4         | Backplate - Mech Seal        | Cast Iron                                      | SEA004    | SEA004    | SEA004    |
| 4         | Backplate - Mech Seal        | ZF Bronze                                      | SEA054    | SEA054    | SEA054    |
| 4         | Backplate - Mech Seal        | 316SS  | SEA064    | SEA064    | SEA064    |
| 6         | Bearing Cover                | Cast Iron                                      | SEA006    | SEA006    | SEA006    |
| 32        | Gasket - Bearing Cover       | 0.5mm Thick                                    | SEA032    | SEA032    | SEA032    |
| 7         | Impeller Lock Washer         | 316SS  | SEA007B   | SEA007B   | SEA007B   |
| 508       | Support Foot                 | Mild Steel                                     | SEA508    | SEA508    | SEC508    |
| 11        | Oil Thrower                  | Spring Steel                                   | NFC011    | NFC011    | NFC011    |
| 50        | Oil Breather                 | Zinc Plated Steel                              | NFA050    | NFA050    | NFA050    |
| 315       | Pump Shaft                   | 431SS  | SEA715    | SEA715    | SEA715    |
| 315       | Pump Shaft                   | 316SS  | SEA315    | SEA315    | SEA315    |
| 21        | Mechanical Seal              | 33mm Carbon / Ceramic / Viton                  | XMS033V   | XMS033V   | XMS033V   |
| 21        | Mechanical Seal              | 33mm Silicon Carbide / Silicon Carbide / Viton | XMS133    | XMS133    | XMS133    |
| 46        | Impeller Nut                 | 316SS  | SEA046B   | SEA046B   | SEA046B   |
| 102       | Pulley Key                   | Key Steel                                      | SEA102    | SEA102    | SEA102    |
| E         | Volute Drain Plug            | Mild Steel - Zinc Plated                       | 489069004 | 489069004 | 489069004 |
| E         | Volute Drain Plug            | 316SS  | 489069204 | 489069204 | 489069204 |
| F         | Impeller Key                 | 316SS  | NFA061    | NFA061    | NFA061    |
| G         | Casing O-ring                | Viton Rubber                                   | 383007041 | 383007041 | 383007041 |
| H         | Backplate to Casing Bolt     | H/T Steel                                      | -         | -         | -         |
| I         | Brg Hsg to Backplate Bolt    | H/T Steel                                      | -         | -         | -         |
| J         | Bearing - Impeller End       | (HR30307J) Taper Roller Bearing                | 477144070 | 477144070 | 477144070 |
| K         | Dust Seal - Impeller End     | (PR8158) Oil Seal                              | 382005067 | 382005067 | 382005067 |
| L         | Brg Cover to Brg Hsg Bolt    | H/T Steel                                      | 387144020 | 387144020 | 387144020 |
| M         | Dust Seal - Pump End         | (PR8158) Oil Seal                              | 382005067 | 382005067 | 382005067 |
| N         | Bearing - Pump End           | (HR30307J) Taper Roller Bearing                | 477144070 | 477144070 | 477144070 |
| O         | Support Foot to Brg Hsg Bolt | H/T Steel                                      | 387148035 | 387148035 | 387148035 |
| P         | Brg Hsg to Casing Bolt       | H/T Steel                                      | 387144045 | 387144045 | 387144045 |
| Q         | Discharge Flange Plug        | Mild Steel - Zinc Plated                       | 489069002 | 489069002 | 489069002 |
| Q         | Discharge Flange Plug        | 316SS  | 489069202 | 489069202 | 489069202 |
| R         | Inlet Flange Plug            | Mild Steel - Zinc Plated                       | 489069002 | 489069002 | 489069002 |
| R         | Inlet Flange Plug            | 316SS  | 489069202 | 489069002 | 489069202 |
| -         | Shim - Bearing (0.8mm)       |  | SEA320    | SEA320    | SEA320    |
| -         | Shim - Bearing (0.25mm)      |  | SEA321    | SEA321    | SEA321    |

**Optional Wear Rings**

|   |                            |           |        |        |        |
|---|----------------------------|-----------|--------|--------|--------|
| A | Wear Ring - Backplate      | ZF Bronze | SEA027 | SEA027 | SEA027 |
| A | Wear Ring - Backplate      | 316SS     | SEA327 | SEA327 | SEA327 |
| B | Wear Ring - Impeller Rear  | ZF Bronze | SEA026 | SEA026 | SEA026 |
| B | Wear Ring - Impeller Rear  | 316SS     | SEA326 | SEA326 | SEA326 |
| C | Wear Ring - Impeller Front | ZF Bronze | SEA026 | SEA026 | SEC026 |
| C | Wear Ring - Impeller Front | 316SS     | SEA326 | SEA326 | SEC326 |
| D | Wear Ring - Volute Casing  | ZF Bronze | SEA027 | SEA027 | SEC027 |
| D | Wear Ring - Volute Casing  | 316SS     | SEA327 | SEA327 | SEC327 |



**CENTRIFUGAL PUMPS**

**ISO-PRO**

|               |                  |                  |                  |
|---------------|------------------|------------------|------------------|
| <b>Code:</b>  | <b>PREA1</b>     | <b>PREB1</b>     | <b>PREC1</b>     |
| <b>Model:</b> | <b>50x32-160</b> | <b>65x50-160</b> | <b>80x65-160</b> |

| <b>Illus No.</b>             | <b>Description</b>           | <b>Material</b> | <b>Part no.</b> | <b>Part no.</b> | <b>Part no.</b> |
|------------------------------|------------------------------|-----------------|-----------------|-----------------|-----------------|
| <b>Optional Packed Gland</b> |                              |                 |                 |                 |                 |
| 4                            | Backplate - Packed Gland     | Cast Iron       | SEA011          | SEA011          | SEA011          |
| 4                            | Backplate - Packed Gland     | ZF Bronze       | SEA051          | SEA051          | SEA051          |
| 4                            | Backplate - Packed Gland     | 316SS           | SEA061          | SEA061          | SEA061          |
| -                            | Packed Gland Kit             |                 | PSEA65          | PSEA65          | PSEA65          |
| -                            | Shaft Sleeve Kit             |                 | PSEA60          | PSEA60          | PSEA60          |
| -                            | Packing Ring Set (5)         |                 | SEA023          | SEA023          | SEA023          |
| <b>Overhaul Kits</b>         |                              |                 |                 |                 |                 |
|                              | Mechanical Seal & O-Ring Kit |                 | PRO1900         | PRO1900         | PRO1900         |
|                              | Seal & Bearing Kit           |                 | PRO1902         | PRO1902         | PRO1902         |

**CENTRIFUGAL PUMPS****ISO-PRO****No. 1 SHAFT MODULE**

Code:

**PRFA1****PRFB1****PRFC1**

Model:

**50x32-200****65x40-200****80x50-200**

| Illus No.                  | Description                  | Material                                       | Part no.  | Part no.  | Part no.  |
|----------------------------|------------------------------|--|-----------|-----------|-----------|
| 301                        | Bearing Housing              | Cast Iron                                      | SEA301B   | SEA301B   | SEA301B   |
| -                          | Safety Guard - Left          | Galvanised Mild Steel                          | SEA311L   | SEA311L   | SEA311L   |
| -                          | Safety Guard - Right         | Galvanised Mild Steel                          | SEA311R   | SEA311R   | SEA311R   |
| 2                          | Volute Casing - Table E      | Cast Iron                                      | SFA002    | SFB002    | SFC002    |
| 2                          | Volute Casing - Table E      | ZF Bronze                                      | SFA052    | SFB052    | SFC052    |
| 2                          | Volute Casing - Table E      | 316SS  | SFA062    | SFB062    | SFC062    |
| 53                         | Impeller                     | Cast Iron                                      | SFA003    | SFB003    | SFC003    |
| 53                         | Impeller                     | ZF Bronze                                      | SFA053    | SFB053    | SFC053    |
| 53                         | Impeller                     | 316SS  | SFA063    | SFB063    | SFC063    |
| 4                          | Backplate - Mech Seal        | Cast Iron                                      | SFA004    | SFA004    | SFA004    |
| 4                          | Backplate - Mech Seal        | ZF Bronze                                      | SFA054    | SFA054    | SFA054    |
| 4                          | Backplate - Mech Seal        | 316ss  | SFA064    | SFA064    | SFA064    |
| 6                          | Bearing Cover                | Cast Iron                                      | SEA006    | SEA006    | SEA006    |
| 32                         | Gasket - Bearing Cover       | 0.5mm Thick                                    | SEA032    | SEA032    | SEA032    |
| 7                          | Impeller Lock Washer         | 316SS  | SEA007B   | SEA007B   | SEA007B   |
| 508                        | Support Foot                 | Mild Steel                                     | SEC508    | SEC508    | SEC508    |
| 11                         | Oil Thrower                  | Spring Steel                                   | NFC011    | NFC011    | NFC011    |
| 50                         | Oil Breather                 | Zinc Plated Steel                              | NFA050    | NFA050    | NFA050    |
| 315                        | Pump Shaft                   | 431SS  | SEA715    | SEA715    | SEA715    |
| 315                        | Pump Shaft                   | 316SS  | SEA315    | SEA315    | SEA315    |
| 21                         | Mechanical Seal              | 33mm Carbon / Ceramic / Viton                  | XMS033V   | XMS033V   | XMS033V   |
| 21                         | Mechanical Seal              | 33mm Silicon Carbide / Silicon Carbide / Viton | XMS133    | XMS133    | XMS133    |
| 46                         | Impeller Nut                 | 316SS  | SEA046B   | SEA046B   | SEA046B   |
| 102                        | Pulley Key                   | Key Steel                                      | SEA102    | SEA102    | SEA102    |
| E                          | Volute Drain Plug            | Mild Steel - Zinc Plated                       | 489069004 | 489069004 | 489069004 |
| E                          | Volute Drain Plug            | 316SS  | 489069204 | 489069204 | 489069204 |
| F                          | Impeller Key                 | 316SS  | NFA061    | NFA061    | NFA061    |
| G                          | Casing O-ring                | Viton Rubber                                   | 383007048 | 383007048 | 383007048 |
| H                          | Backplate to Casing Bolt     | H/T Steel                                      | 387126025 | 387126025 | 387126025 |
| I                          | Brg Hsg to Backplate Bolt    | H/T Steel                                      | 406102460 | 406102460 | 406102460 |
| J                          | Bearing - Impeller End       | (HR30307J) Taper Roller Bearing                | 477144070 | 477144070 | 477144070 |
| K                          | Dust Seal - Impeller End     | (PR8158) Oil Seal                              | 382005067 | 382005067 | 382005067 |
| L                          | Brg Cover to Brg Hsg Bolt    | H/T Steel                                      | 387144020 | 387144020 | 387144020 |
| M                          | Dust Seal - Pump End         | (PR8158) Oil Seal                              | 382005067 | 382005067 | 382005067 |
| N                          | Bearing - Pump End           | (HR30307J) Taper Roller Bearing                | 477144070 | 477144070 | 477144070 |
| O                          | Support Foot to Brg Hsg Bolt | H/T Steel                                      | 387148035 | 387148035 | 387148035 |
| P                          | Brg Hsg to Casing Bolt       | H/T Steel                                      | -         | -         | -         |
| Q                          | Discharge Flange Plug        | Mild Steel - Zinc Plated                       | 489069002 | 489069002 | 489069002 |
| Q                          | Discharge Flange Plug        | 316SS  | 489069202 | 489069202 | 489069202 |
| R                          | Inlet Flange Plug            | Mild Steel - Zinc Plated                       | 489069002 | 489069002 | 489069002 |
| R                          | Inlet Flange Plug            | 316SS  | 489069202 | 489069202 | 489069202 |
| -                          | Shim - Bearing (0.8mm)       |  | SEA320    | SEA320    | SEA320    |
| -                          | Shim - Bearing (0.25mm)      |  | SEA321    | SEA321    | SEA321    |
| <b>Optional Wear Rings</b> |                              |  |           |           |           |
| A                          | Wear Ring - Backplate        | ZF Bronze                                      | SEC027    | SEC027    | SEC027    |
| A                          | Wear Ring - Backplate        | 316SS  | SEC327    | SEC327    | SEC327    |
| B                          | Wear Ring - Impeller Rear    | ZF Bronze                                      | SEC026    | SEC026    | SEC026    |
| B                          | Wear Ring - Impeller Rear    | 316SS  | SEC326    | SEC326    | SEC326    |
| C                          | Wear Ring - Impeller Front   | ZF Bronze                                      | SEA026    | SEA026    | SEC026    |
| C                          | Wear Ring - Impeller Front   | 316SS  | SEA326    | SEA326    | SEC326    |
| D                          | Wear Ring - Volute Casing    | ZF Bronze                                      | SEA027    | SEA027    | SEC027    |
| D                          | Wear Ring - Volute Casing    | 316SS  | SEA327    | SEA327    | SEC327    |



**CENTRIFUGAL PUMPS**

**ISO-PRO**

|               |                  |                  |                  |
|---------------|------------------|------------------|------------------|
| <b>Code:</b>  | <b>PRFA1</b>     | <b>PRFB1</b>     | <b>PRFC1</b>     |
| <b>Model:</b> | <b>50x32-200</b> | <b>65x40-200</b> | <b>80x50-200</b> |

| <b>Illus No.</b>             | <b>Description</b>           | <b>Material</b> | <b>Part no.</b> | <b>Part no.</b> | <b>Part no.</b> |
|------------------------------|------------------------------|-----------------|-----------------|-----------------|-----------------|
| <b>Optional Packed Gland</b> |                              |                 |                 |                 |                 |
| 4                            | Backplate - Packed Gland     | Cast Iron       | SFA011          | SFA011          | SFA011          |
| 4                            | Backplate - Packed Gland     | ZF Bronze       | SFA051          | SFA051          | SFA051          |
| 4                            | Backplate - Packed Gland     | 316SS           | SFA061          | SFA061          | SFA061          |
| -                            | Packed Gland Kit             |                 | PSEA65          | PSEA65          | PSEA65          |
| -                            | Shaft Sleeve Kit             |                 | PSEA60          | PSEA60          | PSEA60          |
| -                            | Packing Ring Set (5)         |                 | SEA023          | SEA023          | SEA023          |
| <b>Overhaul Kits</b>         |                              |                 |                 |                 |                 |
|                              | Mechanical Seal & O-Ring Kit |                 | PRO1901         | PRO1901         | PRO1901         |
|                              | Seal & Bearing Kit           |                 | PRO1903         | PRO1903         | PRO1903         |

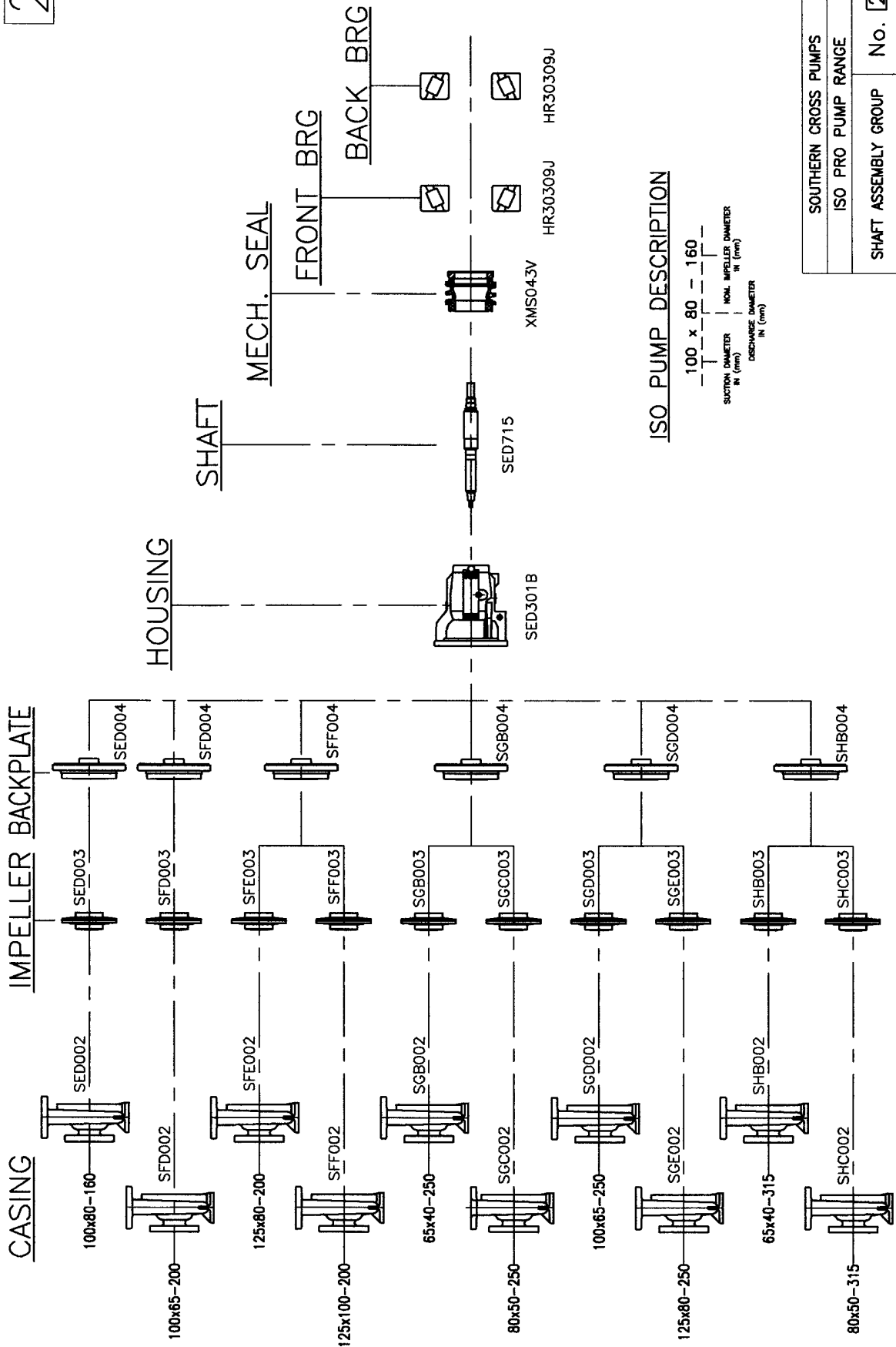


CENTRIFUGAL PUMPS

No. 2 SHAFT MODULE

2

ISO-PRO





**CENTRIFUGAL PUMPS****ISO-PRO****No. 2 SHAFT MODULE**

Code:

**PRED2****PRFD2****PRFE2**

Model:

**100x80-160****100x65-200****125x80-200**

| Illus No. | Description                  | Material                                       | Part no.  | Part no.  | Part no.  |
|-----------|------------------------------|--|-----------|-----------|-----------|
| 301       | Bearing Housing              | Cast Iron                                      | SED301B   | SED301B   | SED301B   |
| -         | Safety Guard - Left          | Galvanised Mild Steel                          | SED311L   | SED311L   | SED311L   |
| -         | Safety Guard - Right         | Galvanised Mild Steel                          | SED311R   | SED311R   | SED311R   |
| 2         | Volute Casing - Table E      | Cast Iron                                      | SED002    | SFD002    | SFE002    |
| 2         | Volute Casing - Table E      | ZF Bronze                                      | SED052    | SFD052    | SFE052    |
| 2         | Volute Casing - Table E      | 316SS  | SED062    | SFD062    | SFE062    |
| 53        | Impeller                     | Cast Iron                                      | SED003    | SFD003    | SFE003    |
| 53        | Impeller                     | ZF Bronze                                      | SED053    | SFD053    | SFE053    |
| 53        | Impeller                     | 316SS  | SED063    | SFD063    | SFE063    |
| 4         | Backplate - Mech Seal        | Cast Iron                                      | SED004    | SFD004    | SFF004    |
| 4         | Backplate - Mech Seal        | ZF Bronze                                      | SED054    | SFD054    | SFF054    |
| 4         | Backplate - Mech Seal        | 316SS  | SED064    | SFD064    | SFF064    |
| 6         | Bearing Cover                | Cast Iron                                      | SED006    | SED006    | SED006    |
| 32        | Gasket - Bearing Cover       | 0.5mm Thick                                    | SED032    | SED032    | SED032    |
| 7         | Impeller Lock Washer         | 316SS  | SED007    | SED007    | SED007    |
| 508       | Support Foot                 | Mild Steel                                     | SED508B   | SFD508B   | SFF508B   |
| 11        | Oil Thrower                  | Spring Steel                                   | NGE011    | NGE011    | NGE011    |
| 50        | Oil Breather                 | Zinc Plated Steel                              | NFA050    | NFA050    | NFA050    |
| 315       | Pump Shaft                   | 431SS  | SED715    | SED715    | SED715    |
| 315       | Pump Shaft                   | 316SS  | SED315    | SED315    | SED315    |
| 21        | Mechanical Seal              | 43mm Carbon / Ceramic / Viton                  | XMS043V   | XMS043V   | XMS043V   |
| 21        | Mechanical Seal              | 43mm Silicon Carbide / Silicon Carbide / Viton | XMS143    | XMS143    | XMS143    |
| 46        | Impeller Nut                 | 316SS  | SED046B   | SED046B   | SED046B   |
| 102       | Pulley Key                   | Key Steel                                      | SED102    | SED102    | SED102    |
| E         | Volute Drain Plug            | Mild Steel - Zinc Plated                       | 489069004 | 489069004 | 489069004 |
| E         | Volute Drain Plug            | 316SS  | 489069204 | 489069204 | 489069204 |
| F         | Impeller Key                 | 316SS  | NFE061    | NFE061    | NFE061    |
| G         | Casing O-ring                | Viton Rubber                                   | 383007048 | 383007048 | 383007048 |
| H         | Backplate to Casing Bolt     | H/T Steel                                      | -         | -         | -         |
| I         | Brg Hsg to Backplate Bolt    | H/T Steel                                      | -         | -         | -         |
| J         | Bearing - Impeller End       | (HR30309J) Taper Roller Bearing                | 477144090 | 477144090 | 477144090 |
| K         | Dust Seal - Impeller End     | (PR8236) Oil Seal                              | 382005069 | 382005069 | 382005069 |
| L         | Brg Cover to Brg Hsg Bolt    | H/T Steel                                      | 387144020 | 387144020 | 387144020 |
| M         | Dust Seal - Pump End         | (PR8236) Oil Seal                              | 382005069 | 382005069 | 382005069 |
| N         | Bearing - Pump End           | (HR30309J) Taper Roller Bearing                | 477144090 | 477144090 | 477144090 |
| O         | Support Foot to Brg Hsg Bolt | H/T Steel                                      | 387148035 | 387148035 | 387148035 |
| P         | Brg Hsg to Casing Bolt       | H/T Steel                                      | 387146040 | 387146040 | 387146040 |
| Q         | Discharge Flange Plug        | Mild Steel - Zinc Plated                       | 489069004 | 489069002 | 489069004 |
| Q         | Discharge Flange Plug        | 316SS  | 489069204 | 489069202 | 489069204 |
| R         | Inlet Flange Plug            | Mild Steel - Zinc Plated                       | 489069004 | 489069002 | 489069004 |
| R         | Inlet Flange Plug            | 316SS  | 489069204 | 489069202 | 489069204 |
| -         | Shim - Bearing (0.8mm)       |  | SED320    | SED320    | SED320    |
| -         | Shim - Bearing (0.25mm)      |  | SED321    | SED321    | SED321    |

**Optional Wear Rings**

|   |                            |           |        |        |        |
|---|----------------------------|-----------|--------|--------|--------|
| A | Wear Ring - Backplate      | ZF Bronze | SED027 | SED027 | SFF027 |
| A | Wear Ring - Backplate      | 316SS     | SED327 | SED327 | SFF327 |
| B | Wear Ring - Impeller Rear  | ZF Bronze | SED026 | SED026 | SFF026 |
| B | Wear Ring - Impeller Rear  | 316SS     | SED326 | SED326 | SFF326 |
| C | Wear Ring - Impeller Front | ZF Bronze | SED026 | SED026 | SFF026 |
| C | Wear Ring - Impeller Front | 316SS     | SED326 | SED326 | SFF326 |
| D | Wear Ring - Volute Casing  | ZF Bronze | SED027 | SED027 | SFF027 |
| D | Wear Ring - Volute Casing  | 316SS     | SED327 | SED327 | SFF327 |



**CENTRIFUGAL PUMPS**

**ISO-PRO**

|               |                   |                   |                   |
|---------------|-------------------|-------------------|-------------------|
| <b>Code:</b>  | <b>PRED2</b>      | <b>PRFD2</b>      | <b>PRFE2</b>      |
| <b>Model:</b> | <b>100x80-160</b> | <b>100x65-200</b> | <b>125x80-200</b> |

| <b>Illus No.</b>             | <b>Description</b>           | <b>Material</b> | <b>Part no.</b> | <b>Part no.</b> | <b>Part no.</b> |
|------------------------------|------------------------------|-----------------|-----------------|-----------------|-----------------|
| <b>Optional Packed Gland</b> |                              |                 |                 |                 |                 |
| 4                            | Backplate - Packed Gland     | Cast Iron       | SED011          | SFD011          | SFF011          |
| 4                            | Backplate - Packed Gland     | ZF Bronze       | SED051          | SFD051          | SFF051          |
| 4                            | Backplate - Packed Gland     | 316SS           | SED061          | SFD061          | SFF061          |
| -                            | Packed Gland Kit             |                 | PSED65          | PSED65          | PSED65          |
| -                            | Shaft Sleeve Kit             |                 | PSED60          | PSED60          | PSED60          |
| -                            | Packing Ring Set (5)         |                 | SED023          | SED023          | SED023          |
| <b>Overhaul Kits</b>         |                              |                 |                 |                 |                 |
|                              | Mechanical Seal & O-Ring Kit |                 | PRO2900         | PRO2900         | PRO2900         |
|                              | Seal & Bearing Kit           |                 | PRO2903         | PRO2903         | PRO2903         |

**CENTRIFUGAL PUMPS****ISO-PRO****No. 2 SHAFT MODULE**

|               |                    |                  |                  |
|---------------|--------------------|------------------|------------------|
| <b>Code:</b>  | <b>PRFF2</b>       | <b>PRGB2</b>     | <b>PRGC2</b>     |
| <b>Model:</b> | <b>125x100-200</b> | <b>65x40-250</b> | <b>80x50-250</b> |

| <b>Illus No.</b> | <b>Description</b>           | <b>Material</b>                                | <b>Part no.</b> | <b>Part no.</b> | <b>Part no.</b> |
|------------------|------------------------------|--|-----------------|-----------------|-----------------|
| 301              | Bearing Housing              | Cast Iron                                      | SED301B         | SED301B         | SED301B         |
| -                | Safety Guard - Left          | Galvanised Mild Steel                          | SED311L         | SED311L         | SED311L         |
| -                | Safety Guard - Right         | Galvanised Mild Steel                          | SED311R         | SED311R         | SED311R         |
| 2                | Volute Casing - Table E      | Cast Iron                                      | SFF002          | SGB002          | SGC002          |
| 2                | Volute Casing - Table E      | ZF Bronze                                      | SFF052          | SGB052          | SGC052          |
| 2                | Volute Casing - Table E      | 316SS  | SFF062          | SGB062          | SGC062          |
| 53               | Impeller                     | Cast Iron                                      | SFF003          | SGB003          | SGC003          |
| 53               | Impeller                     | ZF Bronze                                      | SFF053          | SGB053          | SGC053          |
| 53               | Impeller                     | 316SS  | SFF063          | SGB063          | SGC063          |
| 4                | Backplate - Mech Seal        | Cast Iron                                      | SFF004          | SGB004          | SGB004          |
| 4                | Backplate - Mech Seal        | ZF Bronze                                      | SFF054          | SGB054          | SGB054          |
| 4                | Backplate - Mech Seal        | 316SS  | SFF064          | SGB064          | SGB064          |
| 6                | Bearing Cover                | Cast Iron                                      | SED006          | SED006          | SED006          |
| 32               | Gasket - Bearing Cover       | 0.5mm Thick                                    | SED032          | SED032          | SED032          |
| 7                | Impeller Lock Washer         | 316SS  | SED007B         | SED007B         | SED007B         |
| 508              | Support Foot                 | Mild Steel                                     | SFF508          | SFD508          | SFD508          |
| 11               | Oil Thrower                  | Spring Steel                                   | NGE011          | NGE011          | NGE011          |
| 50               | Oil Breather                 | Zinc Plated Steel                              | NFA050          | NFA050          | NFA050          |
| 315              | Pump Shaft                   | 431SS  | SED715          | SED715          | SED715          |
| 315              | Pump Shaft                   | 316SS  | SED315          | SED315          | SED315          |
| 21               | Mechanical Seal              | 43mm Carbon / Ceramic / Viton                  | XMS043V         | XMS043V         | XMS043V         |
| 21               | Mechanical Seal              | 43mm Silicon Carbide / Silicon Carbide / Viton | XMS143          | XMS143          | XMS143          |
| 46               | Impeller Nut                 | 316SS  | SED046B         | SED046B         | SED046B         |
| 102              | Pulley Key                   | Key Steel                                      | SED102          | SED102          | SED102          |
| E                | Volute Drain Plug            | Mild Steel - Zinc Plated                       | 489069004       | 489069004       | 489069004       |
| E                | Volute Drain Plug            | 316SS  | 489069204       | 489069204       | 489069204       |
| F                | Impeller Key                 | 316SS  | NFE061          | NFE061          | NFE061          |
| G                | Casing O-ring                | Viton Rubber                                   | 383007048       | 383007276       | 383007276       |
| H                | Backplate to Casing Bolt     | H/T Steel                                      | -               | 387126025       | 387126025       |
| I                | Brg Hsg to Backplate Bolt    | H/T Steel                                      | -               | 387126025       | 387126025       |
| J                | Bearing - Impeller End       | (HR30309J) Taper Roller Bearing                | 477144090       | 477144090       | 477144090       |
| K                | Dust Seal - Impeller End     | (PR8236) Oil Seal                              | 382005069       | 382005069       | 382005069       |
| L                | Brg Cover to Brg Hsg Bolt    | H/T Steel                                      | 387144020       | 387144020       | 387144020       |
| M                | Dust Seal - Pump End         | (PR8236) Oil Seal                              | 382005069       | 382005069       | 382005069       |
| N                | Bearing - Pump End           | (HR30309J) Taper Roller Bearing                | 477144090       | 477144090       | 477144090       |
| O                | Support Foot to Brg Hsg Bolt | H/T Steel                                      | 387148035       | 387148035       | 387148035       |
| P                | Brg Hsg to Casing Bolt       | H/T Steel                                      | -               | -               | -               |
| Q                | Discharge Flange Plug        | Mild Steel - Zinc Plated                       | 489069004       | 489069002       | 489069002       |
| Q                | Discharge Flange Plug        | 316SS  | 489069204       | 489069202       | 489069202       |
| R                | Inlet Flange Plug            | Mild Steel - Zinc Plated                       | 489069004       | 489069002       | 489069002       |
| R                | Inlet Flange Plug            | 316SS  | 489069204       | 489069202       | 489069202       |
| -                | Shim - Bearing (0.8mm)       |  | SED320          | SED320          | SED320          |
| -                | Shim - Bearing (0.25mm)      |  | SED321          | SED321          | SED321          |

**Optional Wear Rings**

|   |                            |           |        |        |        |
|---|----------------------------|-----------|--------|--------|--------|
| A | Wear Ring - Backplate      | ZF Bronze | SFF027 | SGB027 | SGB027 |
| A | Wear Ring - Backplate      | 316SS     | SFF327 | SGB327 | SGB327 |
| B | Wear Ring - Impeller Rear  | ZF Bronze | SFF026 | SGB026 | SGB026 |
| B | Wear Ring - Impeller Rear  | 316SS     | SFF326 | SGB326 | SGB326 |
| C | Wear Ring - Impeller Front | ZF Bronze | SFF026 | SEC026 | SGB026 |
| C | Wear Ring - Impeller Front | 316SS     | SFF326 | SEC326 | SGB326 |
| D | Wear Ring - Volute Casing  | ZF Bronze | SFF027 | SEC027 | SGB027 |
| D | Wear Ring - Volute Casing  | 316SS     | SFF327 | SEC327 | SGB327 |



**CENTRIFUGAL PUMPS**

**ISO-PRO**

|               |                    |                  |                  |
|---------------|--------------------|------------------|------------------|
| <b>Code:</b>  | <b>PRFF2</b>       | <b>PRGB2</b>     | <b>PRGC2</b>     |
| <b>Model:</b> | <b>125x100-200</b> | <b>65x40-250</b> | <b>80x50-250</b> |

| <b>Illus No.</b>             | <b>Description</b>           | <b>Material</b> | <b>Part no.</b> | <b>Part no.</b> | <b>Part no.</b> |
|------------------------------|------------------------------|-----------------|-----------------|-----------------|-----------------|
| <b>Optional Packed Gland</b> |                              |                 |                 |                 |                 |
| 4                            | Backplate - Packed Gland     | Cast Iron       | SFF011          | SGB011          | SGB011          |
| 4                            | Backplate - Packed Gland     | ZF Bronze       | SFF051          | SGB051          | SGB051          |
| 4                            | Backplate - Packed Gland     | 316SS           | SFF061          | SGB061          | SGB061          |
| -                            | Packed Gland Kit             |                 | PSED65          | PSED65          | PSED65          |
| -                            | Shaft Sleeve Kit             |                 | PSED60          | PSED60          | PSED60          |
| -                            | Packing Ring Set (5)         |                 | SED023          | SED023          | SED023          |
| <b>Overhaul Kits</b>         |                              |                 |                 |                 |                 |
|                              | Mechanical Seal & O-Ring Kit |                 | PRO2900         | PRO2901         | PRO2901         |
|                              | Seal & Bearing Kit           |                 | PRO2903         | PRO2904         | PRO2904         |

**CENTRIFUGAL PUMPS****ISO-PRO****No. 2 SHAFT MODULE**

Code:

**PRGD2****PRGE2****PRHB2**

Model:

**100x65-250****125x80-250****65x40-315**

| Illus No.                  | Description                  | Material                                       | Part no.  | Part no.  | Part no.  |
|----------------------------|------------------------------|--|-----------|-----------|-----------|
| 301                        | Bearing Housing              | Cast Iron                                      | SED301B   | SED301B   | SED301B   |
| -                          | Safety Guard - Left          | Galvanised Mild Steel                          | SED311L   | SED311L   | SED311L   |
| -                          | Safety Guard - Right         | Galvanised Mild Steel                          | SED311R   | SED311R   | SED311R   |
| 2                          | Volute Casing - Table E      | Cast Iron                                      | SGD002    | SGE002    | SHB002    |
| 2                          | Volute Casing - Table E      | ZF Bronze                                      | SGD052    | SGE052    | SHB052    |
| 2                          | Volute Casing - Table E      | 316SS  | SGD062    | SGE062    | SHB062    |
| 53                         | Impeller                     | Cast Iron                                      | SGD003    | SGE003    | SHB003    |
| 53                         | Impeller                     | ZF Bronze                                      | SGD053    | SGE053    | SHB053    |
| 53                         | Impeller                     | 316SS  | SGD063    | SGE063    | SHB063    |
| 4                          | Backplate - Mech Seal        | Cast Iron                                      | SGD004    | SGD004    | SHB004    |
| 4                          | Backplate - Mech Seal        | ZF Bronze                                      | SGD054    | SGD054    | SHB054    |
| 4                          | Backplate - Mech Seal        | 316SS  | SGD064    | SGD064    | SHB064    |
| 6                          | Bearing Cover                | Cast Iron                                      | SED006    | SED006    | SED006    |
| 32                         | Gasket - Bearing Cover       | 0.5mm Thick                                    | SED032    | SED032    | SED032    |
| 7                          | Impeller Lock Washer         | 316SS  | SED007B   | SED007B   | SED007B   |
| 508                        | Support Foot                 | Mild Steel                                     | SFF508    | SFF508    | SFF508    |
| 11                         | Oil Thrower                  | Spring Steel                                   | NGE011    | NGE011    | NGE011    |
| 50                         | Oil Breather                 | Zinc Plated Steel                              | NFA050    | NFA050    | NFA050    |
| 315                        | Pump Shaft                   | 431SS  | SED715    | SED715    | SED715    |
| 315                        | Pump Shaft                   | 316SS  | SED315    | SED315    | SED315    |
| 21                         | Mechanical Seal              | 43mm Carbon / Ceramic / Viton                  | XMS043V   | XMS043V   | XMS043V   |
| 21                         | Mechanical Seal              | 43mm Silicon Carbide / Silicon Carbide / Viton | XMS143    | XMS143    | XMS143    |
| 46                         | Impeller Nut                 | 316SS  | SED046B   | SED046B   | SED046B   |
| 102                        | Pulley Key                   | Key Steel                                      | SED102    | SED102    | SED102    |
| E                          | Volute Drain Plug            | Mild Steel - Zinc Plated                       | 489069004 | 489069004 | 489069004 |
| E                          | Volute Drain Plug            | 316SS  | 489069204 | 489069204 | 489069204 |
| F                          | Impeller Key                 | 316SS  | NFE061    | NFE061    | NFE061    |
| G                          | Casing O-ring                | Viton Rubber                                   | 383007276 | 383007276 | 383007279 |
| H                          | Backplate to Casing Bolt     | H/T Steel                                      | 387126025 | 387126025 | 406102511 |
| I                          | Brg Hsg to Backplate Bolt    | H/T Steel                                      | 387126025 | 387126025 | 406102511 |
| J                          | Bearing - Impeller End       | (HR30309J) Taper Roller Bearing                | 477144090 | 477144090 | 477144090 |
| K                          | Dust Seal - Impeller End     | (PR8236) Oil Seal                              | 382005069 | 382005069 | 382005069 |
| L                          | Brg Cover to Brg Hsg Bolt    | H/T Steel                                      | 387144020 | 387144020 | 387144020 |
| M                          | Dust Seal - Pump End         | (PR8236) Oil Seal                              | 382005069 | 382005069 | 382005069 |
| N                          | Bearing - Pump End           | (HR30309J) Taper Roller Bearing                | 477144090 | 477144090 | 477144090 |
| O                          | Support Foot to Brg Hsg Bolt | H/T Steel                                      | 387148035 | 387148035 | 387148035 |
| P                          | Brg Hsg to Casing Bolt       | H/T Steel                                      | -         | -         | -         |
| Q                          | Discharge Flange Plug        | Mild Steel - Zinc Plated                       | 489069002 | 489069004 | 489069002 |
| Q                          | Discharge Flange Plug        | 316SS  | 489069202 | 489069204 | 489069202 |
| R                          | Inlet Flange Plug            | Mild Steel - Zinc Plated                       | 489069002 | 489069004 | 489069002 |
| R                          | Inlet Flange Plug            | 316SS  | 489069202 | 489069204 | 489069202 |
| -                          | Shim - Bearing (0.8mm)       |  | SED320    | SED320    | SED320    |
| -                          | Shim - Bearing (0.25mm)      |  | SED321    | SED321    | SED321    |
| <b>Optional Wear Rings</b> |                              |  |           |           |           |
| A                          | Wear Ring - Backplate        | ZF Bronze                                      | SED027    | SED027    | SGB027    |
| A                          | Wear Ring - Backplate        | 316SS  | SED327    | SED327    | SGB327    |
| B                          | Wear Ring - Impeller Rear    | ZF Bronze                                      | SED026    | SED026    | SGB026    |
| B                          | Wear Ring - Impeller Rear    | 316SS  | SED326    | SED326    | SGB326    |
| C                          | Wear Ring - Impeller Front   | ZF Bronze                                      | SED026    | SFF026    | SEC026    |
| C                          | Wear Ring - Impeller Front   | 316SS  | SED326    | SFF326    | SEC326    |
| D                          | Wear Ring - Volute Casing    | ZF Bronze                                      | SED027    | SFF027    | SEC027    |
| D                          | Wear Ring - Volute Casing    | 316SS  | SED327    | SFF327    | SEC327    |



**CENTRIFUGAL PUMPS**

**ISO-PRO**

|               |                   |                   |                  |
|---------------|-------------------|-------------------|------------------|
| <b>Code:</b>  | <b>PRGD2</b>      | <b>PRGE2</b>      | <b>PRHB2</b>     |
| <b>Model:</b> | <b>100x65-250</b> | <b>125x80-250</b> | <b>65x40-315</b> |

| <b>Illus No.</b>             | <b>Description</b>           | <b>Material</b> | <b>Part no.</b> | <b>Part no.</b> | <b>Part no.</b> |
|------------------------------|------------------------------|-----------------|-----------------|-----------------|-----------------|
| <b>Optional Packed Gland</b> |                              |                 |                 |                 |                 |
| 4                            | Backplate - Packed Gland     | Cast Iron       | SGD011          | SGD011          | SHB011          |
| 4                            | Backplate - Packed Gland     | ZF Bronze       | SGD051          | SGD051          | SHB051          |
| 4                            | Backplate - Packed Gland     | 316SS           | SGD061          | SGD061          | SHB061          |
| -                            | Packed Gland Kit             |                 | PSED65          | PSED65          | PSED65          |
| -                            | Shaft Sleeve Kit             |                 | PSED60          | PSED60          | PSED60          |
| -                            | Packing Ring Set (5)         |                 | SED023          | SED023          | SED023          |
| <b>Overhaul Kits</b>         |                              |                 |                 |                 |                 |
|                              | Mechanical Seal & O-Ring Kit |                 | PRO2901         | PRO2901         | PRO2902         |
|                              | Seal & Bearing Kit           |                 | PRO2904         | PRO2904         | PRO2905         |



CENTRIFUGAL PUMPS

ISO-PRO

Code:

PRHC2

No. 2 SHAFT MODULE

Model:

80x50-315

| Illus No. | Description                  | Material                                       | Part no.  |
|-----------|------------------------------|--|-----------|
| 301       | Bearing Housing              | Cast Iron                                      | SED301B   |
| -         | Safety Guard - Left          | Galvanised Mild Steel                          | SED311L   |
| -         | Safety Guard - Right         | Galvanised Mild Steel                          | SED311R   |
| 2         | Volute Casing - Table E      | Cast Iron                                      | SHC002    |
| 2         | Volute Casing - Table E      | ZF Bronze                                      | SHC052    |
| 2         | Volute Casing - Table E      | 316SS  | SHC062    |
| 53        | Impeller                     | Cast Iron                                      | SHC003    |
| 53        | Impeller                     | ZF Bronze                                      | SHC053    |
| 53        | Impeller                     | 316SS  | SHC063    |
| 4         | Backplate - Mech Seal        | Cast Iron                                      | SHB004    |
| 4         | Backplate - Mech Seal        | ZF Bronze                                      | SHB054    |
| 4         | Backplate - Mech Seal        | 316SS  | SHB064    |
| 6         | Bearing Cover                | Cast Iron                                      | SED006    |
| 32        | Gasket - Bearing Cover       | 0.5mm Thick                                    | SED032    |
| 7         | Impeller Lock Washer         | 316SS  | SED007B   |
| 508       | Support Foot                 | Mild Steel                                     | SHC508    |
| 11        | Oil Thrower                  | Spring Steel                                   | NGE011    |
| 50        | Oil Breather                 | Zinc Plated Steel                              | NFA050    |
| 315       | Pump Shaft                   | 431SS  | SED715    |
| 315       | Pump Shaft                   | 316SS  | SED315    |
| 21        | Mechanical Seal              | 43mm Carbon / Ceramic / Viton                  | XMS043V   |
| 21        | Mechanical Seal              | 43mm Silicon Carbide / Silicon Carbide / Viton | XMS143    |
| 46        | Impeller Nut                 | 316SS  | SED046B   |
| 102       | Pulley Key                   | Key Steel                                      | SED102    |
| E         | Volute Drain Plug            | Mild Steel - Zinc Plated                       | 489069004 |
| E         | Volute Drain Plug            | 316SS  | 489069204 |
| F         | Impeller Key                 | 316SS  | NFE061    |
| G         | Casing O-ring                | Viton Rubber                                   | 383007279 |
| H         | Backplate to Casing Bolt     | H/T Steel                                      | 406102511 |
| I         | Brg Hsg to Backplate Bolt    | H/T Steel                                      | 406102511 |
| J         | Bearing - Impeller End       | (HR30309J) Taper Roller Bearing                | 477144090 |
| K         | Dust Seal - Impeller End     | (PR8236) Oil Seal                              | 382005069 |
| L         | Brg Cover to Brg Hsg Bolt    | H/T Steel                                      | 387144020 |
| M         | Dust Seal - Pump End         | (PR8236) Oil Seal                              | 382005069 |
| N         | Bearing - Pump End           | (HR30309J) Taper Roller Bearing                | 477144090 |
| O         | Support Foot to Brg Hsg Bolt | H/T Steel                                      | 387148035 |
| P         | Brg Hsg to Casing Bolt       | H/T Steel                                      | -         |
| Q         | Discharge Flange Plug        | Mild Steel - Zinc Plated                       | 489069002 |
| Q         | Discharge Flange Plug        | 316SS  | 489069202 |
| R         | Inlet Flange Plug            | Mild Steel - Zinc Plated                       | 489069002 |
| R         | Inlet Flange Plug            | 316SS  | 489069202 |
| -         | Shim - Bearing (0.8mm)       |  | SED320    |
| -         | Shim - Bearing (0.25mm)      |  | SED321    |

Optional Wear Rings

|   |                            |           |        |
|---|----------------------------|-----------|--------|
| A | Wear Ring - Backplate      | ZF Bronze | SGB027 |
| A | Wear Ring - Backplate      | 316SS     | SGB327 |
| B | Wear Ring - Impeller Rear  | ZF Bronze | SGB026 |
| B | Wear Ring - Impeller Rear  | 316SS     | SGB326 |
| C | Wear Ring - Impeller Front | ZF Bronze | SGB026 |
| C | Wear Ring - Impeller Front | 316SS     | SGB326 |
| D | Wear Ring - Volute Casing  | ZF Bronze | SGB027 |
| D | Wear Ring - Volute Casing  | 316SS     | SGB327 |



**CENTRIFUGAL PUMPS**

**ISO-PRO**

**Code:**

**PRHC2**

**Model:**

**80x50-315**

| <b>Illus No.</b>             | <b>Description</b>           | <b>Material</b> | <b>Part no.</b> |
|------------------------------|------------------------------|-----------------|-----------------|
| <b>Optional Packed Gland</b> |                              |                 |                 |
| 4                            | Backplate - Packed Gland     | Cast Iron       | SHB011          |
| 4                            | Backplate - Packed Gland     | ZF Bronze       | SHB051          |
| 4                            | Backplate - Packed Gland     | 316SS           | SHB061          |
| -                            | Packed Gland Kit             |                 | PSED65          |
| -                            | Shaft Sleeve Kit             |                 | PSED60          |
| -                            | Packing Ring Set (5)         |                 | SED023          |
| <b>Overhaul Kits</b>         |                              |                 |                 |
|                              | Mechanical Seal & O-Ring Kit |                 | PRO2902         |
|                              | Seal & Bearing Kit           |                 | PRO2905         |

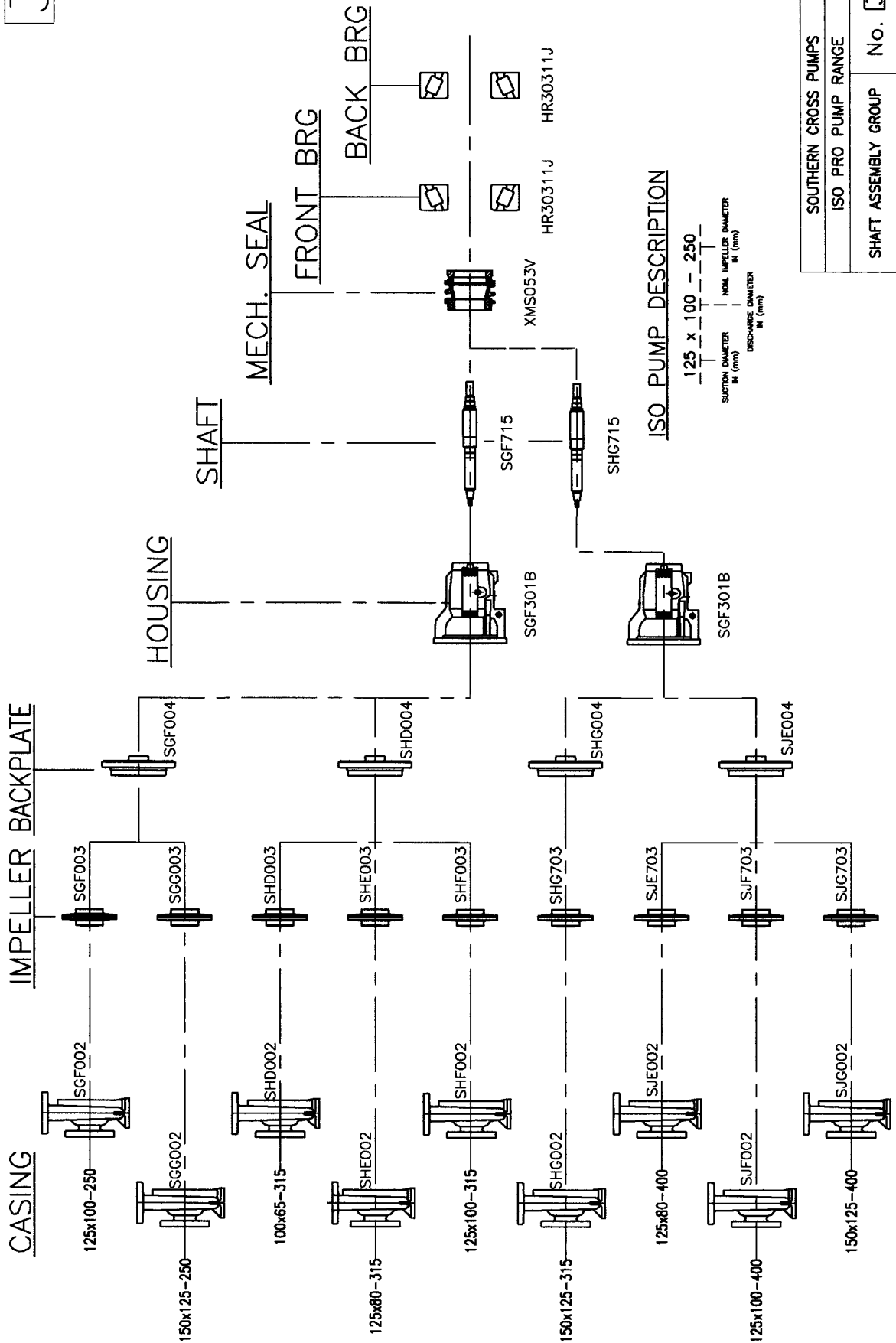


**CENTRIFUGAL PUMPS**

**No. 3 SHAFT MODULE**

**3**

**ISO-PRO**



|                      |              |
|----------------------|--------------|
| SOUTHERN CROSS PUMPS |              |
| ISO PRO PUMP RANGE   |              |
| SHAFT ASSEMBLY GROUP | No. <b>3</b> |

**CENTRIFUGAL PUMPS****ISO-PRO****No. 3 SHAFT MODULE**

|               |                    |                     |                   |
|---------------|--------------------|---------------------|-------------------|
| <b>Code:</b>  | <b>PRGF3</b>       | <b>PRGG3</b>        | <b>PRHD3</b>      |
| <b>Model:</b> | <b>125x100-250</b> | <b>150x125-250A</b> | <b>100x65-315</b> |

| <b>Illus No.</b> | <b>Description</b>           | <b>Material</b>                                | <b>Part no.</b> | <b>Part no.</b> | <b>Part no.</b> |
|------------------|------------------------------|--|-----------------|-----------------|-----------------|
| 301              | Bearing Housing              | Cast Iron                                      | SGF301B         | SGF301B         | SGF301B         |
| -                | Safety Guard - Left          | Galvanised Mild Steel                          | SGF311L         | SGF311L         | SGF311L         |
| -                | Safety Guard - Right         | Galvanised Mild Steel                          | SGF311R         | SGF311R         | SGF311R         |
| 2                | Volute Casing - Table E      | Cast Iron                                      | SGF002          | SGG002          | SHD002          |
| 2                | Volute Casing - Table E      | ZF Bronze                                      | SGF052          | SGG052          | SHD052          |
| 2                | Volute Casing - Table E      | 316SS  | SGF062          | SGG062          | SHD062          |
| 53               | Impeller                     | Cast Iron                                      | SGF003          | SGG003          | SHD003          |
| 53               | Impeller                     | ZF Bronze                                      | SGF053          | SGG053          | SHD053          |
| 53               | Impeller                     | 316SS  | SGF063          | SGG063          | SHD063          |
| 4                | Backplate - Mech Seal        | Cast Iron                                      | SGF004          | SGF004          | SHD004          |
| 4                | Backplate - Mech Seal        | ZF Bronze                                      | SGF054          | SGF054          | SHD054          |
| 4                | Backplate - Mech Seal        | 316SS  | SGF064          | SGF064          | SHD064          |
| 6                | Bearing Cover                | Cast Iron                                      | SGF006          | SGF006          | SGF006          |
| 32               | Gasket - Bearing Cover       | 0.5mm Thick                                    | SGF032          | SGF032          | SGF032          |
| 7                | Impeller Lock Washer         | 316SS  | SGF007B         | SGF007B         | SGF007B         |
| 508              | Support Foot                 | Mild Steel                                     | SGF508          | SGG508          | SGF508          |
| 11               | Oil Thrower                  | Spring Steel                                   | SGF322          | SGF322          | SGF322          |
| 50               | Oil Breather                 | Zinc Plated Steel                              | NFA050          | NFA050          | NFA050          |
| 315              | Pump Shaft                   | 431SS  | SGF715          | SGF715          | SGF715          |
| 315              | Pump Shaft                   | 316SS  | SGF315          | SGF315          | SGF315          |
| 21               | Mechanical Seal              | 53mm Carbon / Ceramic / Viton                  | XMS053V         | XMS053V         | XMS053V         |
| 21               | Mechanical Seal              | 53mm Silicon Carbide / Silicon Carbide / Viton | XMS153          | XMS153          | XMS153          |
| 46               | Impeller Nut                 | 316SS  | SGF046B         | SGF046B         | SGF046B         |
| 102              | Pulley Key                   | Key Steel                                      | SGF102          | SGF102          | SGF102          |
| E                | Volute Drain Plug            | Mild Steel - Zinc Plated                       | 489069004       | 489069006       | 489069004       |
| E                | Volute Drain Plug            | 316SS  | 489069204       | 489069206       | 489069204       |
| F                | Impeller Key                 | 316SS  | SGF323          | SGF323          | SGF323          |
| G                | Casing O-ring                | Viton Rubber                                   | 383007279       | 383007279       | 383007279       |
| H                | Backplate to Casing Bolt     | H/T Steel                                      | -               | -               | -               |
| I                | Brg Hsg to Backplate Bolt    | H/T Steel                                      | -               | -               | -               |
| J                | Bearing - Impeller End       | (HR30311J) Taper Roller Bearing                | 477144110       | 477144110       | 477144110       |
| K                | Dust Seal - Impeller End     | (PR8296) Oil Seal                              | 382005071       | 382005071       | 382005071       |
| L                | Brg Cover to Brg Hsg Bolt    | H/T Steel                                      | 406102510       | 406102510       | 406102510       |
| M                | Dust Seal - Pump End         | (PR8296) Oil Seal                              | 382005071       | 382005071       | 382005071       |
| N                | Bearing - Pump End           | (HR30311J) Taper Roller Bearing                | 477144110       | 477144110       | 477144110       |
| O                | Support Foot to Brg Hsg Bolt | H/T Steel                                      | 387148035       | 387148035       | 387148035       |
| P                | Brg Hsg to Casing Bolt       | H/T Steel                                      | 387146045       | 387146045       | 387146045       |
| Q                | Discharge Flange Plug        | Mild Steel - Zinc Plated                       | 489069004       | 489069004       | 489069004       |
| Q                | Discharge Flange Plug        | 316SS  | 489069204       | 489069204       | 489069204       |
| R                | Inlet Flange Plug            | Mild Steel - Zinc Plated                       | 489069004       | 489069004       | 489069004       |
| R                | Inlet Flange Plug            | 316SS  | 489069204       | 489069204       | 489069204       |
| -                | Shim - Bearing (0.8mm)       |  | NJD007X         | NJD007X         | NJD007X         |
| -                | Shim - Bearing (0.25mm)      |  | NJD007Y         | NJD007Y         | NJD007Y         |

**Optional Wear Rings**

|   |                            |           |        |        |        |
|---|----------------------------|-----------|--------|--------|--------|
| A | Wear Ring - Backplate      | ZF Bronze | SGF027 | SGF027 | SFF027 |
| A | Wear Ring - Backplate      | 316SS     | SGF327 | SGF327 | SFF327 |
| B | Wear Ring - Impeller Rear  | ZF Bronze | SGF026 | SGF026 | SFF026 |
| B | Wear Ring - Impeller Rear  | 316SS     | SGF326 | SGF326 | SFF326 |
| C | Wear Ring - Impeller Front | ZF Bronze | SGF026 | SGF026 | SFF026 |
| C | Wear Ring - Impeller Front | 316SS     | SGF326 | SGF326 | SFF326 |
| D | Wear Ring - Volute Casing  | ZF Bronze | SGF027 | SGF027 | SFF027 |
| D | Wear Ring - Volute Casing  | 316SS     | SGF327 | SGF327 | SFF327 |



**CENTRIFUGAL PUMPS**

**ISO-PRO**

|               |                    |                     |                   |
|---------------|--------------------|---------------------|-------------------|
| <b>Code:</b>  | <b>PRGF3</b>       | <b>PRGG3</b>        | <b>PRHD3</b>      |
| <b>Model:</b> | <b>125x100-250</b> | <b>150x125-250A</b> | <b>100x65-315</b> |

| <b>Illus No.</b>             | <b>Description</b>           | <b>Material</b> | <b>Part no.</b> | <b>Part no.</b> | <b>Part no.</b> |
|------------------------------|------------------------------|-----------------|-----------------|-----------------|-----------------|
| <b>Optional Packed Gland</b> |                              |                 |                 |                 |                 |
| 4                            | Backplate - Packed Gland     | Cast Iron       | SGF011          | SGF011          | SHD011          |
| 4                            | Backplate - Packed Gland     | ZF Bronze       | SGF051          | SGF051          | SHD051          |
| 4                            | Backplate - Packed Gland     | 316SS           | SGF061          | SGF061          | SHD061          |
| -                            | Packed Gland Kit             |                 | PSGF65          | PSGF65          | PSGF65          |
| -                            | Shaft Sleeve Kit             |                 | PSGF60          | PSGF60          | PSGF60          |
| -                            | Packing Ring Set (5)         |                 | SGF023          | SGF023          | SGF023          |
| <b>Overhaul Kits</b>         |                              |                 |                 |                 |                 |
|                              | Mechanical Seal & O-Ring Kit |                 | PRO3900         | PRO3900         | PRO3900         |
|                              | Seal & Bearing Kit           |                 | PRO3902         | PRO3902         | PRO3902         |

**CENTRIFUGAL PUMPS****ISO-PRO****No. 3 SHAFT MODULE**

Code:

**PRHE3****PRHF3****PRHG3**

Model:

**125x80-315****125x100-315****150x125-315**

| Illus No. | Description                  | Material                                       | Part no.  | Part no.  | Part no.   |
|-----------|------------------------------|--|-----------|-----------|------------|
| 301       | Bearing Housing              | Cast Iron                                      | SGF301B   | SGF301B   | SGF301B    |
| -         | Safety Guard - Left          | Galvanised Mild Steel                          | SGF311L   | SGF311L   | SGF311L    |
| -         | Safety Guard - Right         | Galvanised Mild Steel                          | SGF311R   | SGF311R   | SGF311R    |
| 2         | Volute Casing - Table E      | Cast Iron                                      | SHE002    | SHF002    | SHG002     |
| 2         | Volute Casing - Table E      | ZF Bronze                                      | SHE052    | SHF052    | SHG052     |
| 2         | Volute Casing - Table E      | 316SS  | SHE062    | SHF062    | SHG062     |
| 53        | Impeller                     | Cast Iron                                      | SHE003    | SHF003    | SHG703     |
| 53        | Impeller                     | ZF Bronze                                      | SHE053    | SHF053    | SHG753     |
| 53        | Impeller                     | 316ss  | SHE063    | SHF063    | SHG763     |
| 4         | Backplate - Mech Seal        | Cast Iron                                      | SHD004    | SHD004    | SHG004     |
| 4         | Backplate - Mech Seal        | ZF Bronze                                      | SHD054    | SHD054    | SHG054     |
| 4         | Backplate - Mech Seal        | 316SS  | SHD064    | SHD064    | SHG064     |
| 6         | Bearing Cover                | Cast Iron                                      | SGF006    | SGF006    | SGF006     |
| 32        | Gasket - Bearing Cover       | 0.5mm Thick                                    | SGF032    | SGF032    | SGF032     |
| 7         | Impeller Lock Washer         | 316SS  | SGF007B   | SGF007B   | SHG007B    |
| 508       | Support Foot                 | Mild Steel                                     | SGG508    | SGG508    | SHG508     |
| 11        | Oil Thrower                  | Spring Steel                                   | SGF322    | SGF322    | SGF322     |
| 50        | Oil Breather                 | Zinc Plated Steel                              | NFA050    | NFA050    | NFA050     |
| 315       | Pump Shaft                   | 431SS  | SGF715    | SGF715    | SHG715     |
| 315       | Pump Shaft                   | 316SS  | SGF315    | SGF315    | SHG315     |
| 21        | Mechanical Seal              | 53mm Carbon / Ceramic / Viton                  | XMS053V   | XMS053V   | XMS053V    |
| 21        | Mechanical Seal              | 53mm Silicon Carbide / Silicon Carbide / Viton | XMS153    | XMS153    | XMS153     |
| 46        | Impeller Nut                 | 316SS  | SGF046B   | SGF046B   | 412651830B |
| 102       | Pulley Key                   | Key Steel                                      | SGF102    | SGF102    | SGF102     |
| E         | Volute Drain Plug            | Mild Steel - Zinc Plated                       | 489069004 | 489069006 | 489069006  |
| E         | Volute Drain Plug            | 316SS  | 489069204 | 489069206 | 489069206  |
| F         | Impeller Key                 | 316SS  | SGF323    | SGF323    | SGF323     |
| G         | Casing O-ring                | Viton Rubber                                   | 383007279 | 383007279 | 383007283  |
| H         | Backplate to Casing Bolt     | H/T Steel                                      | -         | -         | -          |
| I         | Brg Hsg to Backplate Bolt    | H/T Steel                                      | -         | -         | -          |
| J         | Bearing - Impeller End       | (HR30311J) Taper Roller Bearing                | 477144110 | 477144110 | 477144110  |
| K         | Dust Seal - Impeller End     | (PR8296) Oil Seal                              | 382005071 | 382005071 | 382005071  |
| L         | Brg Cover to Brg Hsg Bolt    | H/T Steel                                      | 406102510 | 406102510 | 406102510  |
| M         | Dust Seal - Pump End         | (PR8296) Oil Seal                              | 382005071 | 382005071 | 382005071  |
| N         | Bearing - Pump End           | (HR30311J) Taper Roller Bearing                | 477144110 | 477144110 | 477144110  |
| O         | Support Foot to Brg Hsg Bolt | H/T Steel                                      | 387148035 | 387148035 | 387148035  |
| P         | Brg Hsg to Casing Bolt       | H/T Steel                                      | 387146045 | 387146045 | 387146045  |
| Q         | Discharge Flange Plug        | Mild Steel - Zinc Plated                       | 489069004 | 489069004 | 489069004  |
| Q         | Discharge Flange Plug        | 316SS  | 489069204 | 489069204 | 489069204  |
| R         | Inlet Flange Plug            | Mild Steel - Zinc Plated                       | 489069004 | 489069004 | 489069004  |
| R         | Inlet Flange Plug            | 316SS  | 489069204 | 489069204 | 489069204  |
| -         | Shim - Bearing (0.8mm)       |  | NJD007X   | NJD007X   | NJD007X    |
| -         | Shim - Bearing (0.25mm)      |  | NJD007Y   | NJD007Y   | NJD007Y    |

**Optional Wear Rings**

|   |                            |           |        |        |        |
|---|----------------------------|-----------|--------|--------|--------|
| A | Wear Ring - Backplate      | ZF Bronze | SFF027 | SFF027 | SGF027 |
| A | Wear Ring - Backplate      | 316SS     | SFF327 | SFF327 | SGF327 |
| B | Wear Ring - Impeller Rear  | ZF Bronze | SFF026 | SFF026 | SGF026 |
| B | Wear Ring - Impeller Rear  | 316SS     | SFF326 | SFF326 | SGF326 |
| C | Wear Ring - Impeller Front | ZF Bronze | SFF026 | SFF026 | SGF026 |
| C | Wear Ring - Impeller Front | 316SS     | SFF326 | SFF326 | SGF326 |
| D | Wear Ring - Volute Casing  | ZF Bronze | SFF027 | SFF027 | SGF027 |
| D | Wear Ring - Volute Casing  | 316SS     | SFF327 | SFF327 | SGF327 |



**CENTRIFUGAL PUMPS**

**ISO-PRO**

|               |                   |                    |                    |
|---------------|-------------------|--------------------|--------------------|
| <b>Code:</b>  | <b>PRHE3</b>      | <b>PRHF3</b>       | <b>PRHG3</b>       |
| <b>Model:</b> | <b>125x80-315</b> | <b>125x100-315</b> | <b>150x125-315</b> |

| <b>Illus No.</b>             | <b>Description</b>           | <b>Material</b> | <b>Part no.</b> | <b>Part no.</b> | <b>Part no.</b> |
|------------------------------|------------------------------|-----------------|-----------------|-----------------|-----------------|
| <b>Optional Packed Gland</b> |                              |                 |                 |                 |                 |
| 4                            | Backplate - Packed Gland     | Cast Iron       | SHD011          | SHD011          | SHG011          |
| 4                            | Backplate - Packed Gland     | ZF Bronze       | SHD051          | SHD051          | SHG051          |
| 4                            | Backplate - Packed Gland     | 316SS           | SHD061          | SHD061          | SHG061          |
| -                            | Packed Gland Kit             |                 | PSGF65          | PSGF65          | PRHG65          |
| -                            | Shaft Sleeve Kit             |                 | PSGF60          | PSGF60          | PSHG60          |
| -                            | Packing Ring Set (5)         |                 | SGF023          | SGF023          | SGF023          |
| <b>Overhaul Kits</b>         |                              |                 |                 |                 |                 |
|                              | Mechanical Seal & O-Ring Kit |                 | PRO3900         | PRO3900         | PRO3900         |
|                              | Seal & Bearing Kit           |                 | PRO3902         | PRO3902         | PRO3902         |

**CENTRIFUGAL PUMPS****ISO-PRO****No. 3 SHAFT MODULE**

Code:

**PRJE3****PRJF3****PRJG3**

Model:

**125x80-400****125x100-400****150x125-400**

| Illus No. | Description                  | Material                                       | Part no.  | Part no.  | Part no.  |
|-----------|------------------------------|--|-----------|-----------|-----------|
| 301       | Bearing Housing              | Cast Iron                                      | SGF301B   | SGF301B   | SGF301B   |
| -         | Safety Guard - Left          | Galvanised Mild Steel                          | SGF311L   | SGF311L   | SGF311L   |
| -         | Safety Guard - Right         | Galvanised Mild Steel                          | SGF311R   | SGF311R   | SGF311R   |
| 2         | Volute Casing - Table E      | Cast Iron                                      | SJE002    | SJF002    | SJG002    |
| 2         | Volute Casing - Table E      | ZF Bronze                                      | SJE052    | SJF052    | SJG052    |
| 2         | Volute Casing - Table E      | 316SS  | SJE062    | SJF062    | SJG062    |
| 53        | Impeller                     | Cast Iron                                      | SJE703    | SJF703    | SJG703    |
| 53        | Impeller                     | ZF Bronze                                      | SJE753    | SJF753    | SJG753    |
| 53        | Impeller                     | 316SS  | SJE763    | SJF763    | SJG763    |
| 4         | Backplate - Mech Seal        | Cast Iron                                      | SJE004    | SJE004    | SJE004    |
| 4         | Backplate - Mech Seal        | ZF Bronze                                      | SJE054    | SJE054    | SJE054    |
| 4         | Backplate - Mech Seal        | 316SS  | SJE064    | SJE064    | SJE064    |
| 6         | Bearing Cover                | Cast Iron                                      | SGF006    | SGF006    | SGF006    |
| 32        | Gasket - Bearing Cover       | 0.5mm Thick                                    | SGF032    | SGF032    | SGF032    |
| 7         | Impeller Lock Washer         | 316SS  | SHG007B   | SHG007B   | SHG007B   |
| 508       | Support Foot                 | Mild Steel                                     | SHG508    | SHG508    | SJG508    |
| 11        | Oil Thrower                  | Spring Steel                                   | SGF322    | SGF322    | SGF322    |
| 50        | Oil Breather                 | Zinc Plated Steel                              | NFA050    | NFA050    | NFA050    |
| 315       | Pump Shaft                   | 431SS  | SHG715    | SHG715    | SHG715    |
| 315       | Pump Shaft                   | 316SS  | SHG315    | SHG315    | SHG315    |
| 21        | Mechanical Seal              | 53mm Carbon / Ceramic / Viton                  | XMS053V   | XMS053V   | XMS053V   |
| 21        | Mechanical Seal              | 53mm Silicon Carbide / Silicon Carbide / Viton | XMS153    | XMS153    | XMS153    |
| 46        | Impeller Nut                 | 316SS  | SHG046B   | SHG046B   | SHG046B   |
| 102       | Pulley Key                   | Key Steel                                      | SGF102    | SGF102    | SGF102    |
| E         | Volute Drain Plug            | Mild Steel - Zinc Plated                       | 489069006 | 489069006 | 489069006 |
| E         | Volute Drain Plug            | 316SS  | 489069206 | 489069206 | 489069206 |
| F         | Impeller Key                 | 316SS  | SGF323    | SGF323    | SGF323    |
| G         | Casing O-ring                | Viton Rubber                                   | 383007283 | 383007283 | 383007283 |
| H         | Backplate to Casing Bolt     | H/T Steel                                      | 406102561 | 406102561 | 406102561 |
| I         | Brg Hsg to Backplate Bolt    | H/T Steel                                      | 406102510 | 406102510 | 406102510 |
| J         | Bearing - Impeller End       | (HR30311J) Taper Roller Bearing                | 477144110 | 477144110 | 477144110 |
| K         | Dust Seal - Impeller End     | (PR8296) Oil Seal                              | 382005071 | 382005071 | 382005071 |
| L         | Brg Cover to Brg Hsg Bolt    | H/T Steel                                      | 406102510 | 406102510 | 406102510 |
| M         | Dust Seal - Pump End         | (PR8296) Oil Seal                              | 382005071 | 382005071 | 382005071 |
| N         | Bearing - Pump End           | (HR30311J) Taper Roller Bearing                | 477144110 | 477144110 | 477144110 |
| O         | Support Foot to Brg Hsg Bolt | H/T Steel                                      | 387148035 | 387148035 | 387148035 |
| P         | Brg Hsg to Casing Bolt       | H/T Steel                                      | -         | -         | -         |
| Q         | Discharge Flange Plug        | Mild Steel - Zinc Plated                       | 489069004 | 489069004 | 489069004 |
| Q         | Discharge Flange Plug        | 316SS  | 489069204 | 489069204 | 489069204 |
| R         | Inlet Flange Plug            | Mild Steel - Zinc Plated                       | 489069004 | 489069004 | 489069004 |
| R         | Inlet Flange Plug            | 316SS  | 489069204 | 489069204 | 489069204 |
| -         | Shim - Bearing (0.8mm)       |  | NJD007X   | NJD007X   | NJD007X   |
| -         | Shim - Bearing (0.25mm)      |  | NJD007Y   | NJD007Y   | NJD007Y   |

**Optional Wear Rings**

|   |                            |           |        |        |        |
|---|----------------------------|-----------|--------|--------|--------|
| A | Wear Ring - Backplate      | ZF Bronze | SGF027 | SGF027 | SGF027 |
| A | Wear Ring - Backplate      | 316SS     | SGF327 | SGF327 | SGF327 |
| B | Wear Ring - Impeller Rear  | ZF Bronze | SGF026 | SGF026 | SGF026 |
| B | Wear Ring - Impeller Rear  | 316SS     | SGF326 | SGF326 | SGF326 |
| C | Wear Ring - Impeller Front | ZF Bronze | SGF026 | SGF026 | SGF026 |
| C | Wear Ring - Impeller Front | 316SS     | SGF326 | SGF326 | SGF326 |
| D | Wear Ring - Volute Casing  | ZF Bronze | SGF027 | SGF027 | SGF027 |
| D | Wear Ring - Volute Casing  | 316SS     | SGF327 | SGF327 | SGF327 |



**CENTRIFUGAL PUMPS**

**ISO-PRO**

|               |                   |                    |                    |
|---------------|-------------------|--------------------|--------------------|
| <b>Code:</b>  | <b>PRJE3</b>      | <b>PRJF3</b>       | <b>PRJG3</b>       |
| <b>Model:</b> | <b>125x80-400</b> | <b>125x100-400</b> | <b>150x125-400</b> |

| <b>Illus No.</b>             | <b>Description</b>           | <b>Material</b> | <b>Part no.</b> | <b>Part no.</b> | <b>Part no.</b> |
|------------------------------|------------------------------|-----------------|-----------------|-----------------|-----------------|
| <b>Optional Packed Gland</b> |                              |                 |                 |                 |                 |
| 4                            | Backplate - Packed Gland     | Cast Iron       | SJE011          | SJE011          | SJE011          |
| 4                            | Backplate - Packed Gland     | ZF Bronze       | SJE051          | SJE051          | SJE051          |
| 4                            | Backplate - Packed Gland     | 316SS           | SJE061          | SJE061          | SJE061          |
| -                            | Packed Gland Kit             |                 | PRHG65          | PRHG65          | PRHG65          |
| -                            | Shaft Sleeve Kit             |                 | PSHG60          | PSHG60          | PSHG60          |
| -                            | Packing Ring Set (5)         |                 | SGF023          | SGF023          | SGF023          |
| <b>Overhaul Kits</b>         |                              |                 |                 |                 |                 |
|                              | Mechanical Seal & O-Ring Kit |                 | PRO3901         | PRO3901         | PRO3901         |
|                              | Seal & Bearing Kit           |                 | PRO3903         | PRO3903         | PRO3903         |

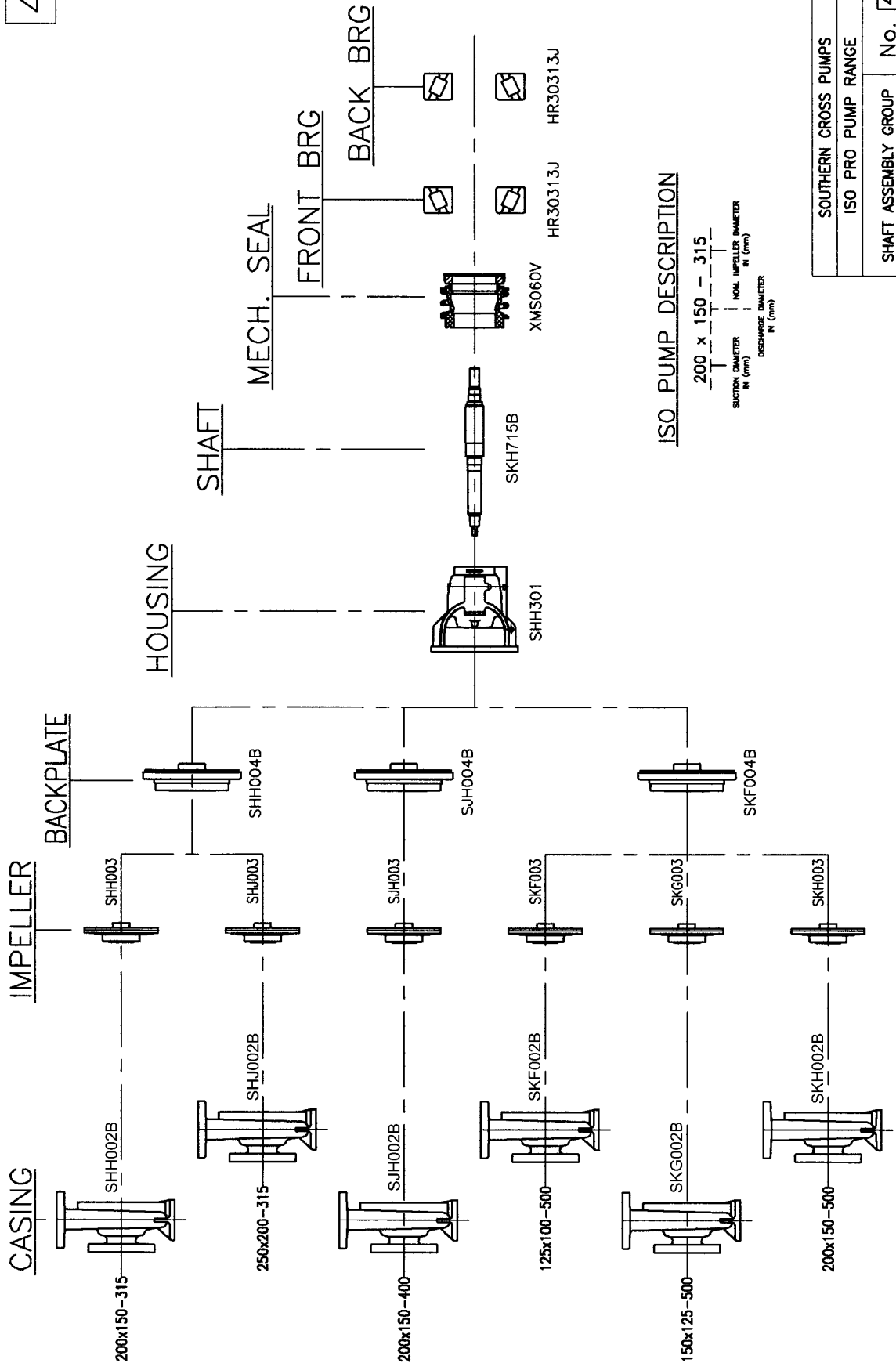


CENTRIFUGAL PUMPS

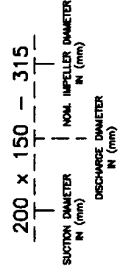
ISO-PRO

No. 4 SHAFT MODULE  
REAR PUMPOUT VANE IMPELLER DESIGN

4



ISO PUMP DESCRIPTION



|                            |
|----------------------------|
| SOUTHERN CROSS PUMPS       |
| ISO PRO PUMP RANGE         |
| SHAFT ASSEMBLY GROUP No. 4 |



**CENTRIFUGAL PUMPS****ISO-PRO****No. 4 SHAFT MODULE**

Code:

Model:

|                         |                         |                         |                         |
|-------------------------|-------------------------|-------------------------|-------------------------|
| <b>PRHH4<br/>STD</b>    | <b>PRHH4<br/>RNR</b>    | <b>PRHJ4<br/>STD</b>    | <b>PRHJ4<br/>RNR</b>    |
| <b>250x150-<br/>315</b> | <b>250x150-<br/>315</b> | <b>250x200-<br/>315</b> | <b>250x200-<br/>315</b> |

| Illus No. | Description                  | Material                                       | Part no.  | Part no.  | Part no.  | Part no.  |
|-----------|------------------------------|--|-----------|-----------|-----------|-----------|
| 301       | Bearing Housing              | Cast Iron                                      | SHH301    | SHH301    | SHH301    | SHH301    |
| -         | Safety Guard - Left          | Galvanised Mild Steel                          | SHH310    | SHH310    | SHH310    | SHH310    |
| -         | Safety Guard - Right         | Galvanised Mild Steel                          | SHH310    | SHH310    | SHH310    | SHH310    |
| -         | Safety Guard Bolt            | M12x20 G8.8 ZP                                 | 387148020 | 387148020 | 387148020 | 387148020 |
| -         | Safety Guard Washer          | Flat Round M12 ZP                              | 413035012 | 413035012 | 413035012 | 413035012 |
| 2         | Volute Casing - Table E      | Cast Iron                                      | SHH002B   | SHH002B   | SHJ002B   | SHJ002B   |
| 2         | Volute Casing - Table E      | ZF Bronze                                      | SHH052    | SHH052    | SHJ052    | SHJ052    |
| 2         | Volute Casing - Table E      | 316SS  | SHH062    | SHH062    | SHJ062    | SHJ062    |
| 53        | Impeller                     | Cast Iron                                      | SHH003    | SHH003C   | SHJ003    | SHJ003C   |
| 53        | Impeller                     | ZF Bronze                                      | SHH053    | SHH053C   | SHJ053    | SHJ053C   |
| 53        | Impeller                     | 316SS  | SHH063    | SHH063C   | SHJ063    | SHJ063C   |
| 4         | Backplate - Mech Seal        | Cast Iron                                      | SHH004B   | SHH004C   | SHH004B   | SHH004C   |
| 4         | Backplate - Mech Seal        | ZF Bronze                                      | SHH054    | SHH054C   | SHH054    | SHH054C   |
| 4         | Backplate - Mech Seal        | 316SS  | SHH064    | SHH064C   | SHH064    | SHH064C   |
| 6         | Bearing Cover                | Cast Iron                                      | SHH006    | SHH006    | SHH006    | SHH006    |
| 7         | Impeller Lock Washer         | 316SS  | SHH007B   | SHH007B   | SHH007B   | SHH007B   |
| 508       | Support Foot                 | Mild Steel                                     | SHH508    | SHH508    | SHH508    | SHH508    |
| 11        | Oil Thrower                  | Spring Steel                                   | NHG011    | NHG011    | NHG011    | NHG011    |
| 50        | Oil Breather                 | Zinc Plated Steel                              | NFA050    | NFA050    | NFA050    | NFA050    |
| 315       | Pump Shaft                   | 431SS  | SKH715B   | SKH715B   | SKH715B   | SKH715B   |
| 315       | Pump Shaft                   | 316SS  | SKH315B   | SKH315B   | SKH315B   | SKH315B   |
| 21        | Mechanical Seal              | 60mm Carbon / Ceramic / Viton                  | XMS060V   | XMS060V   | XMS060V   | XMS060V   |
| 21        | Mechanical Seal              | 60mm Silicon Carbide / Silicon Carbide / Viton | XMS160    | XMS160    | XMS160    | XMS160    |
| 46        | Impeller Nut                 | 316ss  | SKH046B   | SKH046B   | SKH046B   | SKH046B   |
| 102       | Pulley Key                   | Key Steel                                      | SKH102B   | SKH102B   | SKH102B   | SKH102B   |
| E         | Volute Drain Plug            | Mild Steel - Zinc Plated                       | 489069008 | 489069008 | 489069008 | 489069008 |
| E         | Volute Drain Plug            | 316SS  | 489069208 | 489069208 | 489069208 | 489069208 |
| F         | Impeller Key                 | 316SS  | SHH323    | SHH323    | SHH323    | SHH323    |
| G         | Casing O-ring                | Viton Rubber                                   | 383007455 | 383007455 | 383007455 | 383007455 |
| H         | Backplate to Casing Bolt     | (HR30313J) Taper Roller Bearing                | -         | -         | -         | -         |
| I         | Brg Hsg to Backplate Bolt    | H/T Steel                                      | 387154050 | 387154050 | 387154050 | 387154050 |
| J         | Bearing - Impeller End       | (HR30313J) Taper Roller Bearing                | 477144130 | 477144130 | 477144130 | 477144130 |
| K         | Dust Seal - Impeller End     | (PR3623) Oil Seal                              | 382001040 | 382001040 | 382001040 | 382001040 |
| L         | Brg Cover to Brg Hsg Bolt    | H/T Steel                                      | 406102561 | 406102561 | 406102561 | 406102561 |
| M         | Dust Seal - Pump End         | (PR3623) Oil Seal                              | 382001040 | 382001040 | 382001040 | 382001040 |
| N         | Bearing - Pump End           | (HR30313J) Taper Roller Bearing                | 477144130 | 477144130 | 477144130 | 477144130 |
| O         | Support Foot to Brg Hsg Bolt | H/T Steel                                      | 387148035 | 387148035 | 387148035 | 387148035 |
| P         | Brg Hsg to Casing Bolt       | H/T Steel                                      | 387154050 | 387154050 | 387154050 | 387154050 |
| Q         | Discharge Flange Plug        | Mild Steel - Zinc Plated                       | 489069006 | 489069006 | 489069006 | 489069006 |
| Q         | Discharge Flange Plug        | 316SS  | 489069206 | 489069206 | 489069206 | 489069206 |
| R         | Inlet Flange Plug            | Mild Steel - Zinc Plated                       | 489069006 | 489069006 | 489069006 | 489069006 |
| R         | Inlet Flange Plug            | 316SS  | 489069206 | 489069206 | 489069206 | 489069206 |
| S         | Shim - Bearing (0.25mm)      |  | SHH009X   | SHH009X   | SHH009X   | SHH009X   |
| S         | Shim - Bearing (0.08mm)      |  | SHH009Y   | SHH009Y   | SHH009Y   | SHH009Y   |
| -         | Bearing Cap O-Ring           | Viton Rubber                                   | 383007032 | 383007032 | 383007032 | 383007032 |



**CENTRIFUGAL PUMPS**

**ISO-PRO**

|               |                         |                         |                         |                         |
|---------------|-------------------------|-------------------------|-------------------------|-------------------------|
| <b>Code:</b>  | <b>PRHH4<br/>STD</b>    | <b>PRHH4<br/>RNR</b>    | <b>PRHJ4<br/>STD</b>    | <b>PRHJ4<br/>RNR</b>    |
| <b>Model:</b> | <b>250x150-<br/>315</b> | <b>250x150-<br/>315</b> | <b>250x200-<br/>315</b> | <b>250x200-<br/>315</b> |

| Illus No.                  | Description                | Material  | Part no. | Part no. | Part no. | Part no. |
|----------------------------|----------------------------|-----------|----------|----------|----------|----------|
| <b>Optional Wear Rings</b> |                            |           |          |          |          |          |
| A                          | Wear Ring - Backplate      | ZF Bronze | N/A      | SHJ027   | N/A      | SHJ027   |
| A                          | Wear Ring - Backplate      | 316SS     | N/A      | SHJ327   | N/A      | SHJ327   |
| B                          | Wear Ring - Impeller Rear  | ZF Bronze | N/A      | SHJ026   | N/A      | SHJ026   |
| B                          | Wear Ring - Impeller Rear  | 316SS     | N/A      | SHJ326   | N/A      | SHJ326   |
| C                          | Wear Ring - Impeller Front | ZF Bronze | N/A      | SHH026   | N/A      | SHJ026   |
| C                          | Wear Ring - Impeller Front | 316SS     | N/A      | SHH326   | N/A      | SHJ326   |
| D                          | Wear Ring - Volute Casing  | ZF Bronze | SHH027   | SHH027   | SHJ027   | SHJ027   |
| D                          | Wear Ring - Volute Casing  | 316SS     | SHH327   | SHH327   | SHJ327   | SHJ327   |

| Illus No.                    | Description              | Material  | Part no. | Part no. | Part no. | Part no. |
|------------------------------|--------------------------|-----------|----------|----------|----------|----------|
| <b>Optional Packed Gland</b> |                          |           |          |          |          |          |
| 4                            | Backplate - Packed Gland | Cast Iron | SHH011   | SHH011C  | SHH011   | SHH011C  |
| 4                            | Backplate - Packed Gland | ZF Bronze | SHH051   | SHH051C  | SHH051   | SHH051C  |
| 4                            | Backplate - Packed Gland | 316SS     | SHH061   | SHH061C  | SHH061   | SHH061C  |
| -                            | Packed Gland Kit         |           | PSHH65   | PSHH65   | PSHH65   | PSHH65   |
| -                            | Shaft Sleeve Kit         |           | PSHH60   | PSHH60   | PSHH60   | PSHH60   |
| -                            | Packing Ring Set (5)     |           | SHH023   | SHH023   | SHH023   | SHH023   |

| <b>Overhaul Kits</b> |                              |  |         |         |         |         |
|----------------------|------------------------------|--|---------|---------|---------|---------|
|                      | Mechanical Seal & O-Ring Kit |  | PRO4900 | PRO4900 | PRO4900 | PRO4900 |
|                      | Seal & Bearing Kit           |  | PRO4903 | PRO4903 | PRO4903 | PRO4903 |

**CENTRIFUGAL PUMPS****ISO-PRO****No. 4 SHAFT MODULE**

Code:

Model:

|                         |                         |                         |                         |
|-------------------------|-------------------------|-------------------------|-------------------------|
| <b>PRJH4<br/>STD</b>    | <b>PRJH4<br/>RNR</b>    | <b>PRKF4<br/>STD</b>    | <b>PRKF4<br/>RNR</b>    |
| <b>200x150-<br/>400</b> | <b>200x150-<br/>400</b> | <b>125x100-<br/>500</b> | <b>125x100-<br/>500</b> |

| Illus No. | Description                  | Material                                       | Part no.  | Part no.  | Part no.  | Part no.  |
|-----------|------------------------------|--|-----------|-----------|-----------|-----------|
| 301       | Bearing Housing              | Cast Iron                                      | SHH301    | SHH301    | SHH301    | SHH301    |
| -         | Safety Guard - Left          | Galvanised Mild Steel                          | SHH310    | SHH310    | SHH310    | SHH310    |
| -         | Safety Guard - Right         | Galvanised Mild Steel                          | SHH310    | SHH310    | SHH310    | SHH310    |
| -         | Safety Guard Bolt            | M12x20 G8.8 ZP                                 | 387148020 | 387148020 | 387148020 | 387148020 |
| -         | Safety Guard Washer          | Flat Round M12 ZP                              | 413035012 | 413035012 | 413035012 | 413035012 |
| 2         | Volute Casing - Table E      | Cast Iron                                      | SJH002B   | SJH002B   | SKF002B   | SKF002B   |
| 2         | Volute Casing - Table E      | ZF Bronze                                      | SJH052    | SJH052    | SKF052    | SKF052    |
| 2         | Volute Casing - Table E      | 316SS  | SJH062    | SJH062    | SKF062    | SKF062    |
| 53        | Impeller                     | Cast Iron                                      | SJH003    | SJH003C   | SKF003    | SKF003C   |
| 53        | Impeller                     | ZF Bronze                                      | SJH053    | SJH053C   | SKF053    | SKF053C   |
| 53        | Impeller                     | 316SS  | SJH063    | SJH063C   | SKF063    | SKF063C   |
| 4         | Backplate - Mech Seal        | Cast Iron                                      | SJH004B   | SJH004C   | SKF004B   | SKF004C   |
| 4         | Backplate - Mech Seal        | ZF Bronze                                      | SJH054    | SJH054C   | SKF054    | SKF054C   |
| 4         | Backplate - Mech Seal        | 316SS  | SJH064    | SJH064C   | SKF064    | SKF064C   |
| 6         | Bearing Cover                | Cast Iron                                      | SHH006    | SHH006    | SHH006    | SHH006    |
| 7         | Impeller Lock Washer         | 316SS  | SHH007B   | SHH007B   | SHH007B   | SHH007B   |
| 508       | Support Foot                 | Mild Steel                                     | SHH508    | SHH508    | SJJ508    | SJJ508    |
| 11        | Oil Thrower                  | Spring Steel                                   | NHG011    | NHG011    | NHG011    | NHG011    |
| 50        | Oil Breather                 | Zinc Plated Steel                              | NFA050    | NFA050    | NFA050    | NFA050    |
| 315       | Pump Shaft                   | 431SS  | SKH715B   | SKH715B   | SKH715B   | SKH715B   |
| 315       | Pump Shaft                   | 316SS  | SKH315B   | SKH315B   | SKH315B   | SKH315B   |
| 21        | Mechanical Seal              | 60mm Carbon / Ceramic / Viton                  | XMS060V   | XMS060V   | XMS060V   | XMS060V   |
| 21        | Mechanical Seal              | 60mm Silicon Carbide / Silicon Carbide / Viton | XMS160    | XMS160    | XMS160    | XMS160    |
| 46        | Impeller Nut                 | 316SS  | SKH046B   | SKH046B   | SKH046B   | SKH046B   |
| 102       | Pulley Key                   | Key Steel                                      | SKH102B   | SKH102B   | SKH102B   | SKH102B   |
| E         | Volute Drain Plug            | Mild Steel - Zinc Plated                       | 489069008 | 489069008 | 489069008 | 489069008 |
| E         | Volute Drain Plug            | 316SS  | 489069208 | 489069208 | 489069208 | 489069208 |
| F         | Impeller Key                 | 316SS  | SHH323    | SHH323    | SHH323    | SHH323    |
| G         | Casing O-ring                | Viton Rubber                                   | 383007463 | 383007463 | 383007470 | 383007470 |
| H         | Backplate to Casing Bolt     | (HR30313J) Taper Roller Bearing                | 387158050 | 387158050 | 387158050 | 387158050 |
| I         | Brg Hsg to Backplate Bolt    | H/T Steel                                      | 387154050 | 387154050 | 387154050 | 387154050 |
| J         | Bearing - Impeller End       | (HR30313J) Taper Roller Bearing                | 477144130 | 477144130 | 477144130 | 477144130 |
| K         | Dust Seal - Impeller End     | (PR3623) Oil Seal                              | 382001040 | 382001040 | 382001040 | 382001040 |
| L         | Brg Cover to Brg Hsg Bolt    | H/T Steel                                      | 406102561 | 406102561 | 406102561 | 406102561 |
| M         | Dust Seal - Pump End         | (PR3623) Oil Seal                              | 382001040 | 382001040 | 382001040 | 382001040 |
| N         | Bearing - Pump End           | (HR30313J) Taper Roller Bearing                | 477144130 | 477144130 | 477144130 | 477144130 |
| O         | Support Foot to Brg Hsg Bolt | H/T Steel                                      | 387148035 | 387148035 | 387148035 | 387148035 |
| P         | Brg Hsg to Casing Bolt       | H/T Steel                                      | -         | -         | -         | -         |
| Q         | Discharge Flange Plug        | Mild Steel - Zinc Plated                       | 489069006 | 489069006 | 489069006 | 489069006 |
| Q         | Discharge Flange Plug        | 316SS  | 489069206 | 489069206 | 489069206 | 489069206 |
| R         | Inlet Flange Plug            | Mild Steel - Zinc Plated                       | 489069006 | 489069006 | 489069006 | 489069006 |
| R         | Inlet Flange Plug            | 316SS  | 489069206 | 489069206 | 489069206 | 489069206 |
| S         | Shim - Bearing (0.25mm)      |  | SHH009X   | SHH009X   | SHH009X   | SHH009X   |
| S         | Shim - Bearing (0.08mm)      |  | SHH009Y   | SHH009Y   | SHH009Y   | SHH009Y   |
| -         | Bearing Cap O-Ring           | Viton Rubber                                   | 383007032 | 383007032 | 383007032 | 383007032 |

**CENTRIFUGAL PUMPS****ISO-PRO**

|                              |                              |                 | <b>PRJH4<br/>STD<br/>200x150-<br/>400</b> | <b>PRJH4<br/>RNR<br/>200x150-<br/>400</b> | <b>PRKF4<br/>STD<br/>125x100-<br/>500</b> | <b>PRKF4<br/>RNR<br/>125x100-<br/>500</b> |
|------------------------------|------------------------------|-----------------|---|---|---|---|
| <b>Illus No.</b>             | <b>Description</b>           | <b>Material</b> | <b>Part no.</b>                           | <b>Part no.</b>                           | <b>Part no.</b>                           | <b>Part no.</b>                           |
| <b>Optional Wear Rings</b>   |                              |                 |   |   |   |   |
| A                            | Wear Ring - Backplate        | ZF Bronze       | N/A                                       | SHH027                                    | N/A                                       | SHH027                                    |
| A                            | Wear Ring - Backplate        | 316SS           | N/A                                       | SHH327                                    | N/A                                       | SHH327                                    |
| B                            | Wear Ring - Impeller Rear    | ZF Bronze       | N/A                                       | SHH026                                    | N/A                                       | SHH026                                    |
| B                            | Wear Ring - Impeller Rear    | 316SS           | N/A                                       | SHH326                                    | N/A                                       | SHH326                                    |
| C                            | Wear Ring - Impeller Front   | ZF Bronze       | N/A                                       | SHH026                                    | N/A                                       | SKG026                                    |
| C                            | Wear Ring - Impeller Front   | 316SS           | N/A                                       | SHH326                                    | N/A                                       | SKG326                                    |
| D                            | Wear Ring - Volute Casing    | ZF Bronze       | SHH027                                    | SHH027                                    | SKF027                                    | SKG027                                    |
| D                            | Wear Ring - Volute Casing    | 316SS           | SHH327                                    | SHH327                                    | SKF327                                    | SKG327                                    |
| <b>Optional Packed Gland</b> |                              |                 |   |   |   |   |
| <b>Illus No.</b>             | <b>Description</b>           | <b>Material</b> | <b>Part no.</b>                           | <b>Part no.</b>                           | <b>Part no.</b>                           | <b>Part no.</b>                           |
| 4                            | Backplate - Packed Gland     | Cast Iron       | SJH011                                    | SJH011C                                   | SKF011                                    | SKF011C                                   |
| 4                            | Backplate - Packed Gland     | ZF Bronze       | SJH051                                    | SJH051C                                   | SKF051                                    | SKF051C                                   |
| 4                            | Backplate - Packed Gland     | 316SS           | SJH061                                    | SJH061C                                   | SKF061                                    | SKF061C                                   |
| -                            | Packed Gland Kit             |                 | PSHH65                                    | PSHH65                                    | PSHH65                                    | PSHH65                                    |
| -                            | Shaft Sleeve Kit             |                 | PSHH60                                    | PSHH60                                    | PSHH60                                    | PSHH60                                    |
| -                            | Packing Ring Set (5)         |                 | SHH023                                    | SHH023                                    | SHH023                                    | SHH023                                    |
| <b>Overhaul Kits</b>         |                              |                 |   |   |   |   |
|                              | Mechanical Seal & O-Ring Kit |                 | PRO4902                                   | PRO4902                                   | PRO4901                                   | PRO4901                                   |
|                              | Seal & Bearing Kit           |                 | PRO4905                                   | PRO4905                                   | PRO4904                                   | PRO4904                                   |

**CENTRIFUGAL PUMPS****ISO-PRO****No. 4 SHAFT MODULE**

Code:

**PRKG4  
STD****PRKG4  
RNR****PRKH4  
STD****PRKH4  
RNR**

Model:

**150x125-  
500****150x125-  
500****200x150-  
500****200x150-  
500**

| Illus No. | Description                  | Material                                       | Part no.  | Part no.  | Part no.  | Part no.  |
|-----------|------------------------------|--|-----------|-----------|-----------|-----------|
| 301       | Bearing Housing              | Cast Iron                                      | SHH301    | SHH301    | SHH301    | SHH301    |
| -         | Safety Guard - Left          | Galvanised Mild Steel                          | SHH310    | SHH310    | SHH310    | SHH310    |
| -         | Safety Guard - Right         | Galvanised Mild Steel                          | SHH310    | SHH310    | SHH310    | SHH310    |
| -         | Safety Guard Bolt            | M12x20 G8.8 ZP                                 | 387148020 | 387148020 | 387148020 | 387148020 |
| -         | Safety Guard Washer          | Flat Round M12 ZP                              | 413035012 | 413035012 | 413035012 | 413035012 |
| 2         | Volute Casing - Table E      | Cast Iron                                      | SKG002B   | SKG002B   | SKH002B   | SKH002B   |
| 2         | Volute Casing - Table E      | ZF Bronze                                      | SKG052    | SKG052    | SKH052    | SKH052    |
| 2         | Volute Casing - Table E      | 316SS  | SKG062    | SKG062    | SKH062    | SKH062    |
| 53        | Impeller                     | Cast Iron                                      | SKG003    | SKG003C   | SKH003    | SKH003C   |
| 53        | Impeller                     | ZF Bronze                                      | SKG053    | SKG053C   | SKH053    | SKH053C   |
| 53        | Impeller                     | 316SS  | SKG063    | SKG063C   | SKH063    | SKH063C   |
| 4         | Backplate - Mech Seal        | Cast Iron                                      | SKF004B   | SKF004C   | SKF004B   | SKF004C   |
| 4         | Backplate - Mech Seal        | ZF Bronze                                      | SKF054    | SKF054C   | SKF054    | SKF054C   |
| 4         | Backplate - Mech Seal        | 316SS  | SKF064    | SKF064C   | SKF064    | SKF064C   |
| 6         | Bearing Cover                | Cast Iron                                      | SHH006    | SHH006    | SHH006    | SHH006    |
| 7         | Impeller Lock Washer         | 316SS  | SHH007B   | SHH007B   | SHH007B   | SHH007B   |
| 508       | Support Foot                 | Mild Steel                                     | SJJ508    | SJJ508    | SJK508    | SJK508    |
| 11        | Oil Thrower                  | Spring Steel                                   | NHG011    | NHG011    | NHG011    | NHG011    |
| 50        | Oil Breather                 | Zinc Plated Steel                              | NFA050    | NFA050    | NFA050    | NFA050    |
| 315       | Pump Shaft                   | 431SS  | SKH715B   | SKH715B   | SKH715B   | SKH715B   |
| 315       | Pump Shaft                   | 316SS  | SKH315B   | SKH315B   | SKH315B   | SKH315B   |
| 21        | Mechanical Seal              | 60mm Carbon / Ceramic / Viton                  | XMS060V   | XMS060V   | XMS060V   | XMS060V   |
| 21        | Mechanical Seal              | 60mm Silicon Carbide / Silicon Carbide / Viton | XMS160    | XMS160    | XMS160    | XMS160    |
| 46        | Impeller Nut                 | 316SS  | SKH046B   | SKH046B   | SKH046B   | SKH046B   |
| 102       | Pulley Key                   | Key Steel                                      | SKH102B   | SKH102B   | SKH102B   | SKH102B   |
| E         | Volute Drain Plug            | Mild Steel - Zinc Plated                       | 489069008 | 489069008 | 489069008 | 489069008 |
| E         | Volute Drain Plug            | 316SS  | 489069208 | 489069208 | 489069208 | 489069208 |
| F         | Impeller Key                 | 316SS  | SHH323    | SHH323    | SHH323    | SHH323    |
| G         | Casing O-ring                | Viton Rubber                                   | 383007470 | 383007470 | 383007470 | 383007470 |
| H         | Backplate to Casing Bolt     | (HR30313J) Taper Roller Bearing                | 387158050 | 387158050 | 387158050 | 387158050 |
| I         | Brg Hsg to Backplate Bolt    | H/T Steel                                      | 387154050 | 387154050 | 387154050 | 387154050 |
| J         | Bearing - Impeller End       | (HR30313J) Taper Roller Bearing                | 477144130 | 477144130 | 477144130 | 477144130 |
| K         | Dust Seal - Impeller End     | (PR3623) Oi I Seal                             | 382001040 | 382001040 | 382001040 | 382001040 |
| L         | Brg Cover to Brg Hsg Bolt    | H/T Steel                                      | 406102561 | 406102561 | 406102561 | 406102561 |
| M         | Dust Seal - Pump End         | (PR3623) Oil Seal                              | 382001040 | 382001040 | 382001040 | 382001040 |
| N         | Bearing - Pump End           | (HR30313J) Taper Roller Bearing                | 477144130 | 477144130 | 477144130 | 477144130 |
| O         | Support Foot to Brg Hsg Bolt | H/T Steel                                      | 387148035 | 387148035 | 387148035 | 387148035 |
| P         | Brg Hsg to Casing Bolt       | H/T Steel                                      | -         | -         | -         | -         |
| Q         | Discharge Flange Plug        | Mild Steel - Zinc Plated                       | 489069006 | 489069006 | 489069006 | 489069006 |
| Q         | Discharge Flange Plug        | 316SS  | 489069206 | 489069206 | 489069206 | 489069206 |
| R         | Inlet Flange Plug            | Mild Steel - Zinc Plated                       | 489069006 | 489069006 | 489069006 | 489069006 |
| R         | Inlet Flange Plug            | 316SS  | 489069206 | 489069206 | 489069206 | 489069206 |
| S         | Shim - Bearing (0.25mm)      |  | SHH009X   | SHH009X   | SHH009X   | SHH009X   |
| S         | Shim - Bearing (0.08mm)      |  | SHH009Y   | SHH009Y   | SHH009Y   | SHH009Y   |
| -         | Bearing Cap O-Ring           | Viton Rubber                                   | 383007032 | 383007032 | 383007032 | 383007032 |

**CENTRIFUGAL PUMPS****ISO-PRO**

|               |                         |                         |                         |                         |
|---------------|-------------------------|-------------------------|-------------------------|-------------------------|
| <b>Code:</b>  | <b>PRKG4<br/>STD</b>    | <b>PRKG4<br/>RNR</b>    | <b>PRKH4<br/>STD</b>    | <b>PRKH4<br/>RNR</b>    |
| <b>Model:</b> | <b>150x125-<br/>500</b> | <b>150x125-<br/>500</b> | <b>200x150-<br/>500</b> | <b>200x150-<br/>500</b> |

| <b>Illus No.</b>           | <b>Description</b>         | <b>Material</b> | <b>Part no.</b> | <b>Part no.</b> | <b>Part no.</b> | <b>Part no.</b> |
|----------------------------|----------------------------|-----------------|-----------------|-----------------|-----------------|-----------------|
| <b>Optional Wear Rings</b> |                            |                 |                 |                 |                 |                 |
| A                          | Wear Ring - Backplate      | ZF Bronze       | N/A             | SHH027          | N/A             | SHH027          |
| A                          | Wear Ring - Backplate      | 316SS           | N/A             | SHH327          | N/A             | SHH327          |
| B                          | Wear Ring - Impeller Rear  | ZF Bronze       | N/A             | SHH026          | N/A             | SHH026          |
| B                          | Wear Ring - Impeller Rear  | 316SS           | N/A             | SHH326          | N/A             | SHH326          |
| C                          | Wear Ring - Impeller Front | ZF Bronze       | N/A             | SKG026          | N/A             | SHH026          |
| C                          | Wear Ring - Impeller Front | 316SS           | N/A             | SKG326          | N/A             | SHH326          |
| D                          | Wear Ring - Volute Casing  | ZF Bronze       | SKG027          | SKG027          | SHH027          | SHH027          |
| D                          | Wear Ring - Volute Casing  | 316SS           | SKG327          | SKG327          | SHH327          | SHH327          |

| <b>Optional Packed Gland</b> |                          |                 |                 |                 |                 |                 |
|------------------------------|--------------------------|-----------------|-----------------|-----------------|-----------------|-----------------|
| <b>Illus No.</b>             | <b>Description</b>       | <b>Material</b> | <b>Part no.</b> | <b>Part no.</b> | <b>Part no.</b> | <b>Part no.</b> |
| 4                            | Backplate - Packed Gland | Cast Iron       | SKF011          | SKF011C         | SKF011          | SKF011C         |
| 4                            | Backplate - Packed Gland | ZF Bronze       | SKF051          | SKF051C         | SKF051          | SKF051C         |
| 4                            | Backplate - Packed Gland | 316SS           | SKF061          | SKF061C         | SKF061          | SKF061C         |
| -                            | Packed Gland Kit         |                 | PSHH65          | PSHH65          | PSHH65          | PSHH65          |
| -                            | Shaft Sleeve Kit         |                 | PSHH60          | PSHH60          | PSHH60          | PSHH60          |
| -                            | Packing Ring Set (5)     |                 | SHH023          | SHH023          | SHH023          | SHH023          |

| <b>Overhaul Kits</b> |                              |  |         |         |         |         |
|----------------------|------------------------------|--|---------|---------|---------|---------|
|                      | Mechanical Seal & O-Ring Kit |  | PRO4901 | PRO4901 | PRO4901 | PRO4901 |
|                      | Seal & Bearing Kit           |  | PRO4904 | PRO4904 | PRO4904 | PRO4904 |