



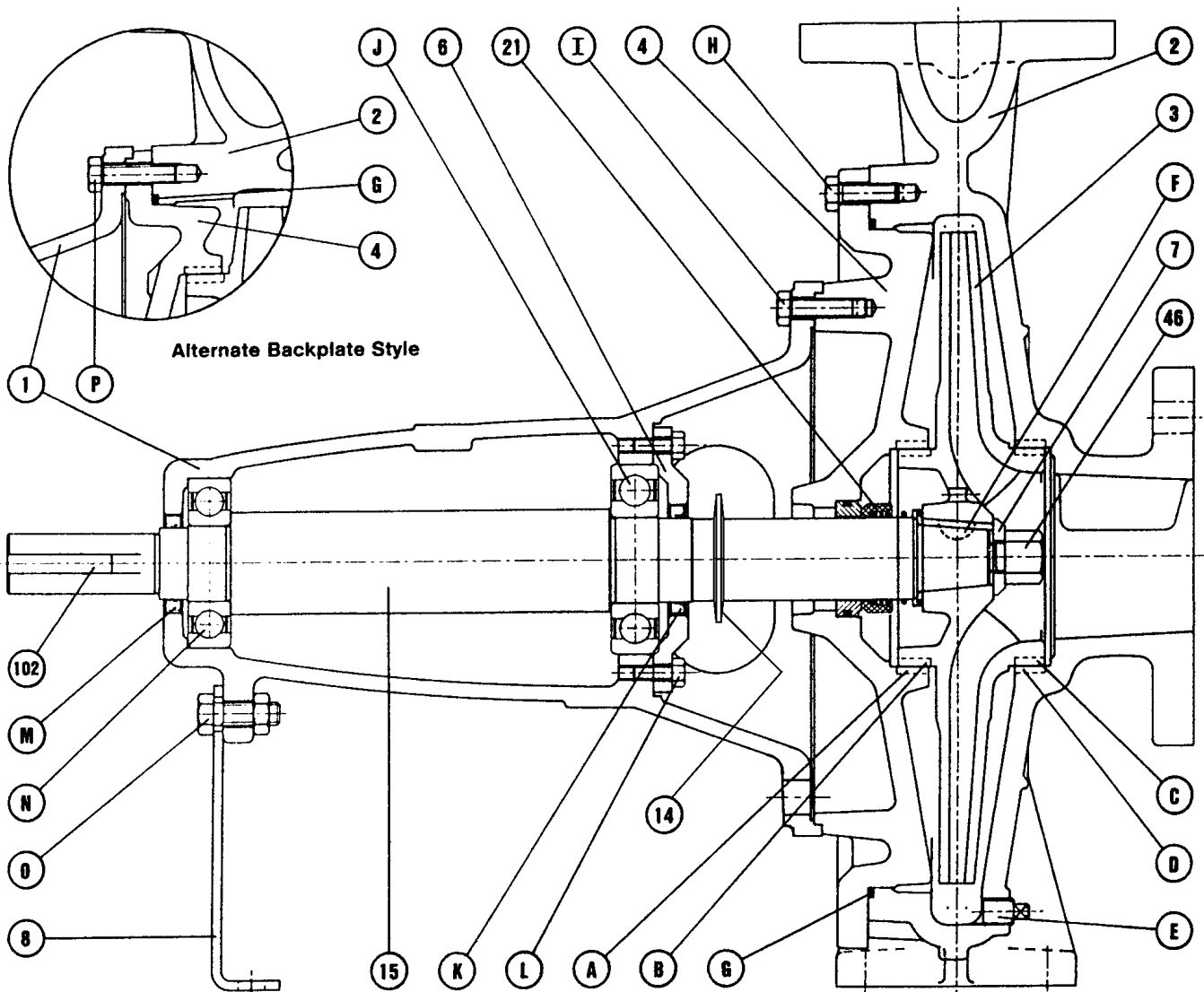
SECTION INDEX

PRODUCT	PAGE
ISO Sovereign	6
ISO-PRO	23
ISO Star-Line	53
SBI Vertical Multistage	95
ST/SU Self Priming Pumps	135



CENTRIFUGAL PUMPS

ISO SOVEREIGN



ITEM NO.	DESCRIPTION	ITEM NO.	DESCRIPTION	ITEM NO.	DESCRIPTION
1	Bearing Housing	A	Wear Ring - Backplate	J	Bearing - Impeller End
2	Casing	B	Wear Ring - Impeller Rear	K	Dust Seal - Impeller End
3	Impeller	C	Wear Ring - Impeller Front	L	Bearing Cover to Bearing Housing Bolt - M8
4	Backplate	D	Wear Ring - Casing	M	Dust Seal - Pulley End
6	Bearing Cover	E	Casing Plug	N	Bearing - Pulley End
7	Impeller Washer	F	Impeller Key	O	Support Foot to Bearing Housing Bolt and Nut - M12
8	Support Foot	G	O-Ring	P	Bearing Housing to Casing Bolt - M8 or M10
14	Water Slinger	H	Backplate to Casing Bolt - M10		
15	Shaft	I	Bearing Housing to Backplate Bolt - M8 or M10		
21	Mechanical Seal				
46	Impeller Nut				
102	Pulley Key				

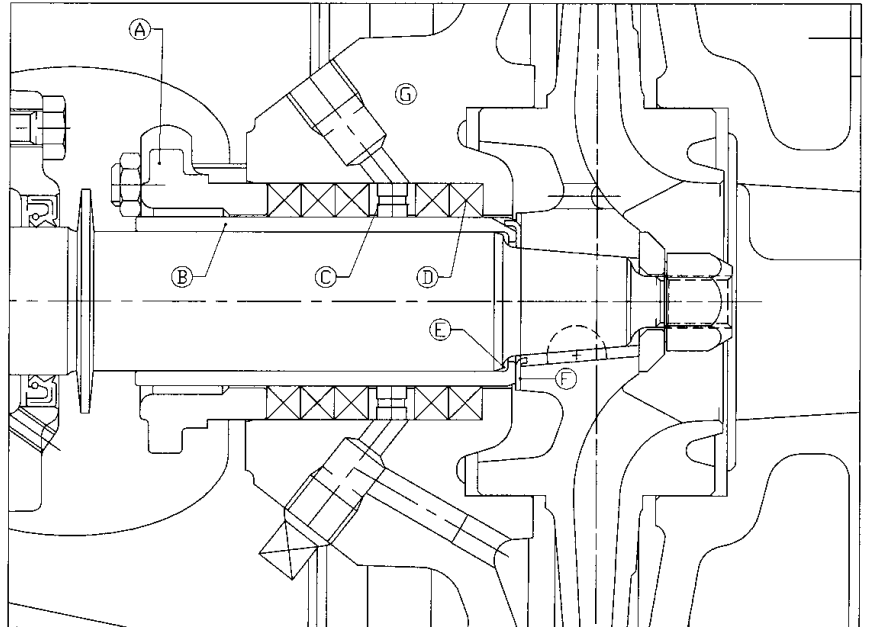


CENTRIFUGAL PUMPS

**ISO SOVEREIGN
PACKED GLAND OPTION**

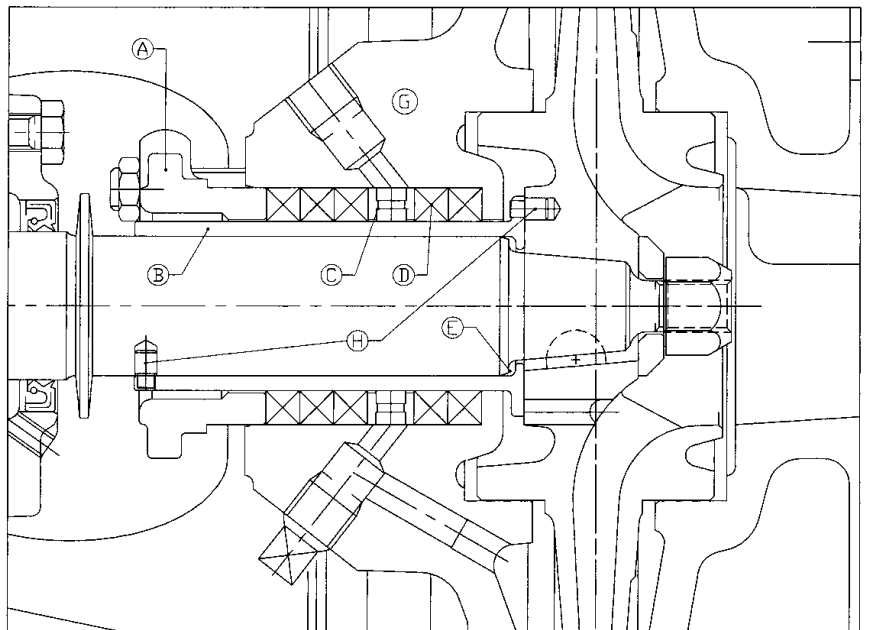
No. 1, 2 & 3 SHAFT

ILLUS PART NO.	DESCRIPTION
A	Gland Follower
B	Shaft Sleeve
C	Lantern Ring
D	Packing Ring (Set of 5)
E	O-Ring
F	Tab Washer
G	Backplate - Cast Iron



No. 4 SHAFT

ILLUS PART NO.	DESCRIPTION
A	Gland Follower
B	Shaft Sleeve
C	Lantern Ring
D	Packing Ring (Set of 5)
E	O-Ring
H	Shaft Sleeve Drive Pin



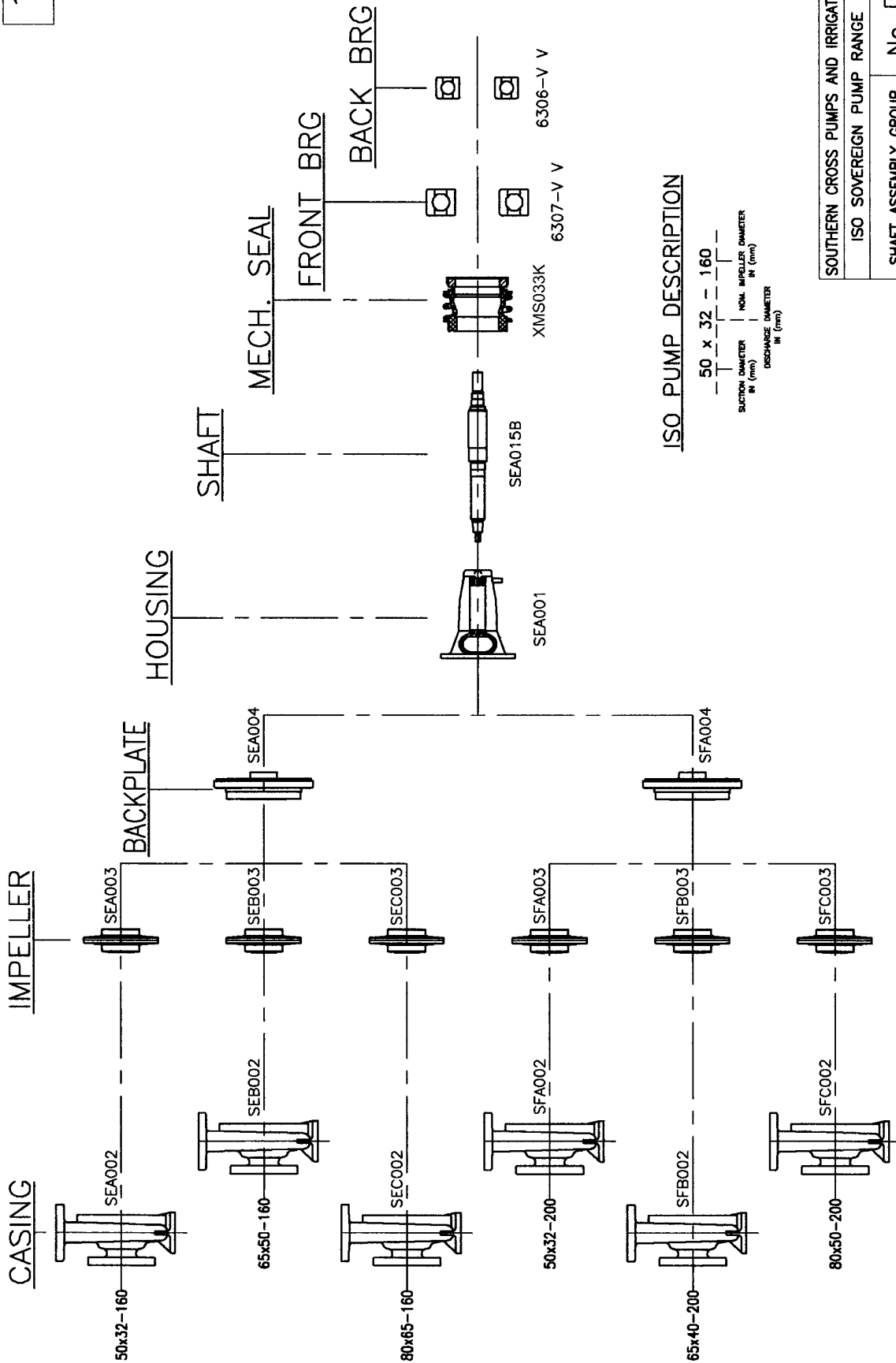


CENTRIFUGAL PUMPS

ISO SOVEREIGN

No. 1 SHAFT MODULE

1



SOUTHERN CROSS PUMPS AND IRRIGATION	
ISO SOVEREIGN PUMP RANGE	
SHAFT ASSEMBLY GROUP	No. 1



CENTRIFUGAL PUMPS

ISO SOVEREIGN

No. 1 SHAFT MODULE	Code:	PSEA1	PSEB1	PSEC1
	Model:	50x32-160	65x50-160	80x65-160

Illus No.	Description	Material	Part no.	Part no.	Part no.
1	Bearing Housing	Cast Iron	SEA001	SEA001	SEA001
-	Safety Guard - Left	Galvanised Mild Steel	SHH310	SHH310	SHH310
-	Safety Guard - Right	Galvanised Mild Steel	SHH310	SHH310	SHH310
2	Volute Casing - Table E	Cast Iron	SEA002	SEB002	SEC002
3	Impeller	Cast Iron	SEA003	SEB003	SEC003
3	Impeller	ZF Bronze	SEA053	SEB053	SEC053
4	Backplate - Mech Seal	Cast Iron	SEA004	SEA004	SEA004
6	Bearing Cover	Cast Iron	SEA006	SEA006	SEA006
7	Impeller Lock Washer	316SS	SEA007B	SEA007B	SEA007B
8	Support Foot	Mild Steel	SEA008	SEA008	SEC008
14	Water Slinger	Rubber	SEA014	SEA014	SEA014
15	Pump Shaft	431SS	SEA015B	SEA015B	SEA015B
21	Mechanical Seal	33mm Carbon / Ceramic / Nitrile / 316ss	XMS033K	XMS033K	XMS033K
46	Impeller Nut	316SS	SEA046B	SEA046B	SEA046B
102	Pulley Key	Key Steel	SEA102	SEA102	SEA102
E	Volute Drain Plug	Mild Steel - Zinc Plated	489069004	489069004	489069004
F	Impeller Key	Key Steel	432900126	432900126	432900126
G	Casing O-ring	Nitrile Rubber	383002041	383002041	383002041
H	Backplate to Casing Bolt	H/T Steel	-	-	-
I	Brg Hsg to Backplate Bolt	H/T Steel	-	-	-
J	Bearing - Impeller End	(6307) Deep Groove Ball Bearing VVCM	477100075	477100075	477100075
K	Dust Seal - Impeller End	(PR8124) Oil Seal	382005066	382005066	382005066
L	Brg Cover to Brg Hsg Bolt	H/T Steel	387144020	387144020	387144020
M	Dust Seal - Pump End	(PR8158) Oil Seal	382005067	382005067	382005067
N	Bearing - Pump End	(6306) Deep Groove Ball Bearing VVCM	477100065	477100065	477100065
O	Support Foot to Brg Hsg Bolt	H/T Steel	387148035	387148035	387148035
P	Brg Hsg to Casing Bolt	H/T Steel	387144045	387144045	387144035
Q	Discharge Flange Plug	Mild Steel - Zinc Plated	489069002	489069002	489069002
R	Inlet Flange Plug	Mild Steel - Zinc Plated	489069002	489069002	489069002

Optional Wear Rings

A	Wear Ring - Backplate	ZF Bronze	SEA027	SEA027	SEA027
B	Wear Ring - Impeller Rear	ZF Bronze	SEA026	SEA026	SEA026
C	Wear Ring - Impeller Front	ZF Bronze	SEA026	SEA026	SEC026
D	Wear Ring - Volute Casing	ZF Bronze	SEA027	SEA027	SEC027

Optional Packed Gland

4	Backplate - Packed Gland	Cast Iron	SEA011	SEA011	SEA011
-	Packed Gland Kit (Includes Shaft Sleeve Kit)		PSEA65	PSEA65	PSEA65
-	Shaft Sleeve Kit (Includes Packing Ring Set)		PSEA60	PSEA60	PSEA60
-	Packing Ring Set (5)		SEA023	SEA023	SEA023

Overhaul Kits

	Mechanical Seal & O-Ring Kit		ISO1900	ISO1900	ISO1900
	Seal & Bearing Kit		ISO1901	ISO1901	ISO1901



CENTRIFUGAL PUMPS

ISO SOVEREIGN

No. 1 SHAFT MODULE	Code:	PSFA1	PSFB1	PSFC1
	Model:	50x32-200	60x40-200	80x50-200

Illus No.	Description	Material	Part no.	Part no.	Part no.
1	Bearing Housing	Cast Iron	SEA001	SEA001	SEA001
-	Safety Guard - Left	Galvanised Mild Steel	SHH310	SHH310	SHH310
-	Safety Guard - Right	Galvanised Mild Steel	SHH310	SHH310	SHH310
2	Volute Casing - Table E	Cast Iron	SFA002	SFB002	SFC002
3	Impeller	Cast Iron	SFA003	SFB003	SFC003
3	Impeller	ZF Bronze	SFA053	SFB053	SFC053
4	Backplate - Mech Seal	Cast Iron	SFA004	SFA004	SFA004
6	Bearing Cover	Cast Iron	SEA006	SEA006	SEA006
7	Impeller Lock Washer	316SS	SEA007B	SEA007B	SEA007B
8	Support Foot	Mild Steel	SEC008	SEC008	SEC008
14	Water Slinger	Rubber	SEA014	SEA014	SEA014
15	Pump Shaft	431SS	SEA015B	SEA015B	SEA015B
21	Mechanical Seal	33mm Carbon / Ceramic / Nitrile / 316ss	XMS033K	XMS033K	XMS033K
46	Impeller Nut	316SS	SEA046B	SEA046B	SEA046B
102	Pulley Key	Key Steel	SEA102	SEA102	SEA102
E	Volute Drain Plug	Mild Steel - Zinc Plated	489069004	489069004	489069004
F	Impeller Key	Key Steel	432900126	432900126	432900126
G	Casing O-ring	Nitrile Rubber	383002048	383002048	383002048
H	Backplate to Casing Bolt	H/T Steel	387126025	387126025	387126025
I	Brg Hsg to Backplate Bolt	H/T Steel	406102460	406102460	406102460
J	Bearing - Impeller End	(6307) Deep Groove Ball Bearing VVCM	477100075	477100075	477100075
K	Dust Seal - Impeller End	(PR8124) Oil Seal	382005066	382005066	382005066
L	Brg Cover to Brg Hsg Bolt	H/T Steel	387144020	387144020	387144020
M	Dust Seal - Pump End	(PR8158) Oil Seal	382005067	382005067	382005067
N	Bearing - Pump End	(6306) Deep Groove Ball Bearing VVCM	477100065	477100065	477100065
O	Support Foot to Brg Hsg Bolt	H/T Steel	387148035	387148035	387148035
P	Brg Hsg to Casing Bolt	H/T Steel	-	-	-
Q	Discharge Flange Plug	Mild Steel - Zinc Plated	489069002	489069002	489069002
R	Inlet Flange Plug	Mild Steel - Zinc Plated	489069002	489069002	489069002

Optional Wear Rings

A	Wear Ring - Backplate	ZF Bronze	SEC027	SEC027	SEC027
B	Wear Ring - Impeller Rear	ZF Bronze	SEC026	SEC026	SEC026
C	Wear Ring - Impeller Front	ZF Bronze	SEA026	SEA026	SEC026
D	Wear Ring - Volute Casing	ZF Bronze	SEA027	SEA027	SEC027

Optional Packed Gland

4	Backplate - Packed Gland	Cast Iron	SFA011	SFA011	SFA011
-	Packed Gland Kit (Includes Shaft Sleeve Kit)		PSEA65	PSEA65	PSEA65
-	Shaft Sleeve Kit (Includes Packing Ring Set)		PSEA60	PSEA60	PSEA60
-	Packing Ring Set (5)		SEA023	SEA023	SEA023

Overhaul Kits

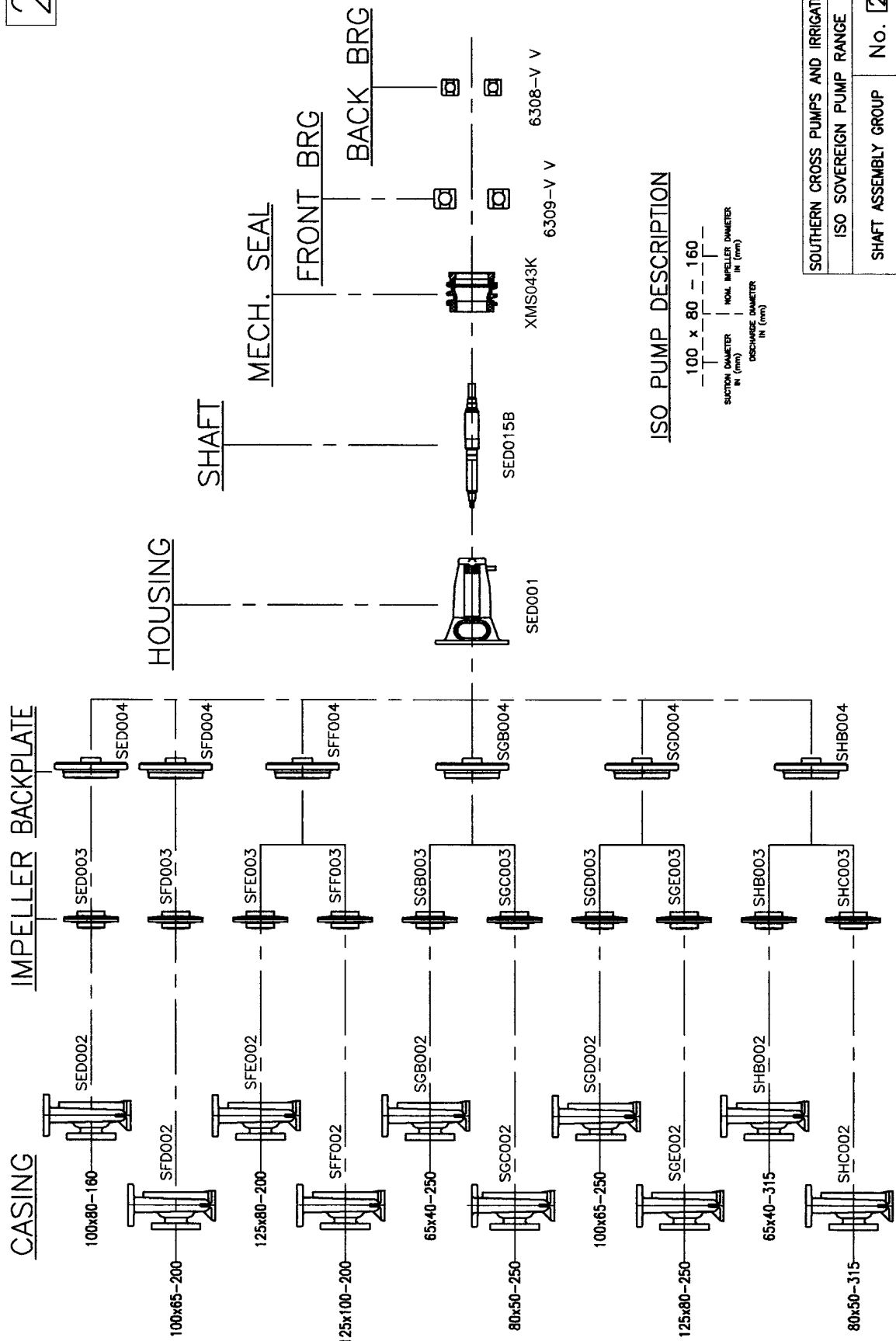
	Mechanical Seal & O-Ring Kit		ISO1900	ISO1900	ISO1900
	Seal & Bearing Kit		ISO1901	ISO1901	ISO1901

CENTRIFUGAL PUMPS

ISO SOVEREIGN

No. 2 SHAFT MODULE

2



SOUTHERN CROSS PUMPS AND IRRIGATION	
ISO SOVEREIGN PUMP RANGE	
SHAFT ASSEMBLY GROUP	No. 2



CENTRIFUGAL PUMPS

ISO SOVEREIGN

No. 2 SHAFT MODULE

Code:

PSED2

PSFD2

PSFE2

Model:

100x80-160

100x65-200

125x80-200

Illus No.	Description	Material	Part no.	Part no.	Part no.
1	Bearing Housing	Cast Iron	SED001	SED001	SED001
-	Safety Guard - Left	Galvanised Mild Steel	SED310	SED310	SED310
-	Safety Guard - Right	Galvanised Mild Steel	SED310	SED310	SED310
2	Volute Casing - Table E	Cast Iron	SED002	SFD002	SFE002
3	Impeller	Cast Iron	SED003	SFD003	SFE003
3	Impeller	ZF Bronze	SED053	SFD053	SFE053
4	Backplate - Mech Seal	Cast Iron	SED004	SFD004	SFF004
6	Bearing Cover	Cast Iron	SED006	SED006	SED006
7	Impeller Lock Washer	316SS	SED007B	SED007B	SED007B
8	Support Foot	Mild Steel	SED008	SFD008	SFF008
14	Water Slinger	Rubber	SED014	SED014	SED014
15	Pump Shaft	431SS	SED015B	SED015B	SED015B
21	Mechanical Seal	43mm Carbon / Ceramic / Nitrile / 316ss	XMS043K	XMS043K	XMS043K
46	Impeller Nut	316SS	SED046B	SED046B	SED046B
102	Pulley Key	Key Steel	SED102	SED102	SED102
E	Volute Drain Plug	Mild Steel - Zinc Plated	489069004	489069004	489069004
F	Impeller Key	Key Steel	432900168	432900168	432900168
G	Casing O-ring	Nitrile Rubber	383002048	383002048	383002048
H	Backplate to Casing Bolt	H/T Steel	-	-	-
I	Brg Hsg to Backplate Bolt	H/T Steel	-	-	-
J	Bearing - Impeller End	(6309) Deep Groove Ball Bearing VVCM	477100095	477100095	477100095
K	Dust Seal - Impeller End	(PR8236) Oil Seal	382005069	382005069	382005069
L	Brg Cover to Brg Hsg Bolt	H/T Steel	387144020	387144020	387144020
M	Dust Seal - Pump End	(PR8194) Oil Seal	382005068	382005068	382005068
N	Bearing - Pump End	(6308) Deep Groove Ball Bearing VVCM	477100085	477100085	477100085
O	Support Foot to Brg Hsg Bolt	H/T Steel	387148035	387148035	387148035
P	Brg Hsg to Casing Bolt	H/T Steel	387146040	387146040	387146040
Q	Discharge Flange Plug	Mild Steel - Zinc Plated	489069004	489069002	489069004
R	Inlet Flange Plug	Mild Steel - Zinc Plated	489069004	489069002	489069004

Optional Wear Rings

A	Wear Ring - Backplate	ZF Bronze	SED027	SED027	SFF027
B	Wear Ring - Impeller Rear	ZF Bronze	SED026	SED026	SFF026
C	Wear Ring - Impeller Front	ZF Bronze	SED026	SED026	SFF026
D	Wear Ring - Volute Casing	ZF Bronze	SED027	SED027	SFF027

Optional Packed Gland

4	Backplate - Packed Gland	Cast Iron	SED011	SFD011	SFF011
-	Packed Gland Kit (Includes Shaft Sleeve Kit)		PSED65	PSED65	PSED65
-	Shaft Sleeve Kit (Includes Packing Ring Set)		PSED60	PSED60	PSED60
-	Packing Ring Set (5)		SED023	SED023	SED023

Overhaul Kits

	Mechanical Seal & O-Ring Kit		ISO2900	ISO2900	ISO2900
	Seal & Bearing Kit		ISO2901	ISO2901	ISO2901



CENTRIFUGAL PUMPS

ISO SOVEREIGN

No. 2 SHAFT MODULE

Code:

PSFF2

PSGB2

PSGC2

Model:

125x100-200

65x40-250

80x50-250

Illus No.	Description	Material	Part no.	Part no.	Part no.
1	Bearing Housing	Cast Iron	SED001	SED001	SED001
-	Safety Guard - Left	Galvanised Mild Steel	SED310	SED310	SED310
-	Safety Guard - Right	Galvanised Mild Steel	SED310	SED310	SED310
2	Volute Casing - Table E	Cast Iron	SFF002	SGB002	SGC002
3	Impeller	Cast Iron	SFF003	SGB003	SGC003
3	Impeller	ZF Bronze	SFF053	SGB053	SGC053
4	Backplate - Mech Seal	Cast Iron	SFF004	SGB004	SGB004
6	Bearing Cover	Cast Iron	SED006	SED006	SED006
7	Impeller Lock Washer	316SS	SED007B	SED007B	SED007B
8	Support Foot	Mild Steel	SFF008	SFD008	SFD008
14	Water Slinger	Rubber	SED014	SED014	SED014
15	Pump Shaft	431SS	SED015B	SED015B	SED015B
21	Mechanical Seal	43mm Carbon / Ceramic / Nitrile / 316ss	XMS043K	XMS043K	XMS043K
46	Impeller Nut	316SS	SED046B	SED046B	SED046B
102	Pulley Key	Key Steel	SED102	SED102	SED102
E	Volute Drain Plug	Mild Steel - Zinc Plated	489069006	489069004	489069004
F	Impeller Key	Key Steel	432900168	432900168	432900168
G	Casing O-ring	Nitrile Rubber	383002048	383002276	383002276
H	Backplate to Casing Bolt	H/T Steel	-	387126025	387126025
I	Brg Hsg to Backplate Bolt	H/T Steel	-	387126025	387126025
J	Bearing - Impeller End	(6309) Deep Groove Ball Bearing VVCM	477100095	477100095	477100095
K	Dust Seal - Impeller End	(PR8236) Oil Seal	382005069	382005069	382005069
L	Brg Cover to Brg Hsg Bolt	H/T Steel	387144020	387144020	387144020
M	Dust Seal - Pump End	(PR8194) Oil Seal	382005068	382005068	382005068
N	Bearing - Pump End	(6308) Deep Groove Ball Bearing VVCM	477100085	477100085	477100085
O	Support Foot to Brg Hsg Bolt	H/T Steel	387148035	387148035	387148035
P	Brg Hsg to Casing Bolt	H/T Steel	-	-	-
Q	Discharge Flange Plug	Mild Steel - Zinc Plated	489069004	489069002	489069002
R	Inlet Flange Plug	Mild Steel - Zinc Plated	489069004	489069002	489069002

Optional Wear Rings

A	Wear Ring - Backplate	ZF Bronze	SFF027	SGB027	SGB027
B	Wear Ring - Impeller Rear	ZF Bronze	SFF026	SGB026	SGB026
C	Wear Ring - Impeller Front	ZF Bronze	SFF026	SEC026	SGB026
D	Wear Ring - Volute Casing	ZF Bronze	SFF027	SEC027	SGB027

Optional Packed Gland

4	Backplate - Packed Gland	Cast Iron	SFF011	SGB011	SGB011
-	Packed Gland Kit (Includes Shaft Sleeve Kit)		PSED65	PSED65	PSED65
-	Shaft Sleeve Kit (Includes Packing Ring Set)		PSED60	PSED60	PSED60
-	Packing Ring Set (5)		SED023	SED023	SED023

Overhaul Kits

	Mechanical Seal & O-Ring Kit		ISO2900	ISO2900	ISO2900
	Seal & Bearing Kit		ISO2901	ISO2901	ISO2901



CENTRIFUGAL PUMPS

ISO SOVEREIGN

No. 2 SHAFT MODULE

Code:

PSGD2

PSGE2

PSHB2

Model:

100x65-250

125x80-250

65x40-315

Illus No.	Description	Material	Part no.	Part no.	Part no.
1	Bearing Housing	Cast Iron	SED001	SED001	SED001
-	Safety Guard - Left	Galvanised Mild Steel	SED310	SED310	SED310
-	Safety Guard - Right	Galvanised Mild Steel	SED310	SED310	SED310
2	Volute Casing - Table E	Cast Iron	SGD002	SGE002	SHB002
3	Impeller	Cast Iron	SGD003	SGE003	SHB003
3	Impeller	ZF Bronze	SGD053	SGE053	SHB053
4	Backplate - Mech Seal	Cast Iron	SGD004	SGD004	SHB004
6	Bearing Cover	Cast Iron	SED006	SED006	SED006
7	Impeller Lock Washer	316SS	SED007B	SED007B	SED007B
8	Support Foot	Mild Steel	SFF008	SFF008	SFF008
14	Water Slinger	Rubber	SED014	SED014	SED014
15	Pump Shaft	431SS	SED015B	SED015B	SED015B
21	Mechanical Seal	43mm Carbon / Ceramic / Nitrile / 316ss	XMS043K	XMS043K	XMS043K
46	Impeller Nut	316SS	SED046B	SED046B	SED046B
102	Pulley Key	Key Steel	SED102	SED102	SED102
E	Volute Drain Plug	Mild Steel - Zinc Plated	489069004	489069004	489069002
F	Impeller Key	Key Steel	432900168	432900168	432900168
G	Casing O-ring	Nitrile Rubber	383002276	383002276	383002279
H	Backplate to Casing Bolt	H/T Steel	387126025	387126025	406102511
I	Brg Hsg to Backplate Bolt	H/T Steel	387126025	387126025	406102511
J	Bearing - Impeller End	(6309) Deep Groove Ball Bearing VVCM	477100095	477100095	477100095
K	Dust Seal - Impeller End	(PR8236) Oil Seal	382005069	382005069	382005069
L	Brg Cover to Brg Hsg Bolt	H/T Steel	387144020	387144020	387144020
M	Dust Seal - Pump End	(PR8194) Oil Seal	382005068	382005068	382005068
N	Bearing - Pump End	(6308) Deep Groove Ball Bearing VVCM	477100085	477100085	477100085
O	Support Foot to Brg Hsg Bolt	H/T Steel	387148035	387148035	387148035
P	Brg Hsg to Casing Bolt	H/T Steel	-	-	-
Q	Discharge Flange Plug	Mild Steel - Zinc Plated	489069002	489069004	489069002
R	Inlet Flange Plug	Mild Steel - Zinc Plated	489069002	489069004	489069002

Optional Wear Rings

A	Wear Ring - Backplate	ZF Bronze	SED027	SED027	SGB027
B	Wear Ring - Impeller Rear	ZF Bronze	SED026	SED026	SGB026
C	Wear Ring - Impeller Front	ZF Bronze	SED026	SFF026	SEC026
D	Wear Ring - Volute Casing	ZF Bronze	SED027	SFF027	SEC027

Optional Packed Gland

4	Backplate - Packed Gland	Cast Iron	SGD011	SGD011	SHB011
-	Packed Gland Kit (Includes Shaft Sleeve Kit)		PSED65	PSED65	PSED65
-	Shaft Sleeve Kit (Includes Packing Ring Set)		PSED60	PSED60	PSED60
-	Packing Ring Set (5)		SED023	SED023	SED023

Overhaul Kits

	Mechanical Seal & O-Ring Kit		ISO2900	ISO2900	ISO2900
	Seal & Bearing Kit		ISO2901	ISO2901	ISO2901

**CENTRIFUGAL PUMPS****ISO SOVEREIGN****Code: PSGD2****Model: 100x65-250****No. 2 SHAFT MODULE**

Illus No.	Description	Material	Part no.
1	Bearing Housing	Cast Iron	SED001
-	Safety Guard - Left	Galvanised Mild Steel	SED310
-	Safety Guard - Right	Galvanised Mild Steel	SED310
2	Volute Casing - Table E	Cast Iron	SHC002
3	Impeller	Cast Iron	SHC003
3	Impeller	ZF Bronze	SHC053
4	Backplate - Mech Seal	Cast Iron	SHB004
6	Bearing Cover	Cast Iron	SED006
7	Impeller Lock Washer	316SS	SED007B
8	Support Foot	Mild Steel	SHC008
14	Water Slinger	Rubber	SED014
15	Pump Shaft	431SS	SED015B
21	Mechanical Seal	43mm Carbon / Ceramic / Nitrile / 316ss	XMS043K
46	Impeller Nut	316SS	SED046B
102	Pulley Key	Key Steel	SED102
E	Volute Drain Plug	Mild Steel - Zinc Plated	489069004
F	Impeller Key	Key Steel	432900168
G	Casing O-ring	Nitrile Rubber	383002279
H	Backplate to Casing Bolt	H/T Steel	406102511
I	Brg Hsg to Backplate Bolt	H/T Steel	406102511
J	Bearing - Impeller End	(6309) Deep Groove Ball Bearing VVCM	477100095
K	Dust Seal - Impeller End	(PR8236) Oil Seal	382005069
L	Brg Cover to Brg Hsg Bolt	H/T Steel	387144020
M	Dust Seal - Pump End	(PR8194) Oil Seal	382005068
N	Bearing - Pump End	(6308) Deep Groove Ball Bearing VVCM	477100085
O	Support Foot to Brg Hsg Bolt	H/T Steel	387148035
P	Brg Hsg to Casing Bolt	H/T Steel	-
Q	Discharge Flange Plug	Mild Steel - Zinc Plated	489069002
R	Inlet Flange Plug	Mild Steel - Zinc Plated	489069002

Optional Wear Rings

A	Wear Ring - Backplate	ZF Bronze	SGB027
B	Wear Ring - Impeller Rear	ZF Bronze	SGB026
C	Wear Ring - Impeller Front	ZF Bronze	SGB026
D	Wear Ring - Volute Casing	ZF Bronze	SGB027

Optional Packed Gland

4	Backplate - Packed Gland	Cast Iron	SHB011
-	Packed Gland Kit (Includes Shaft Sleeve Kit)		PSED65
-	Shaft Sleeve Kit (Includes Packing Ring Set)		PSED60
-	Packing Ring Set (5)		SED023

Overhaul Kits

	Mechanical Seal & O-Ring Kit		ISO2900
	Seal & Bearing Kit		ISO2901

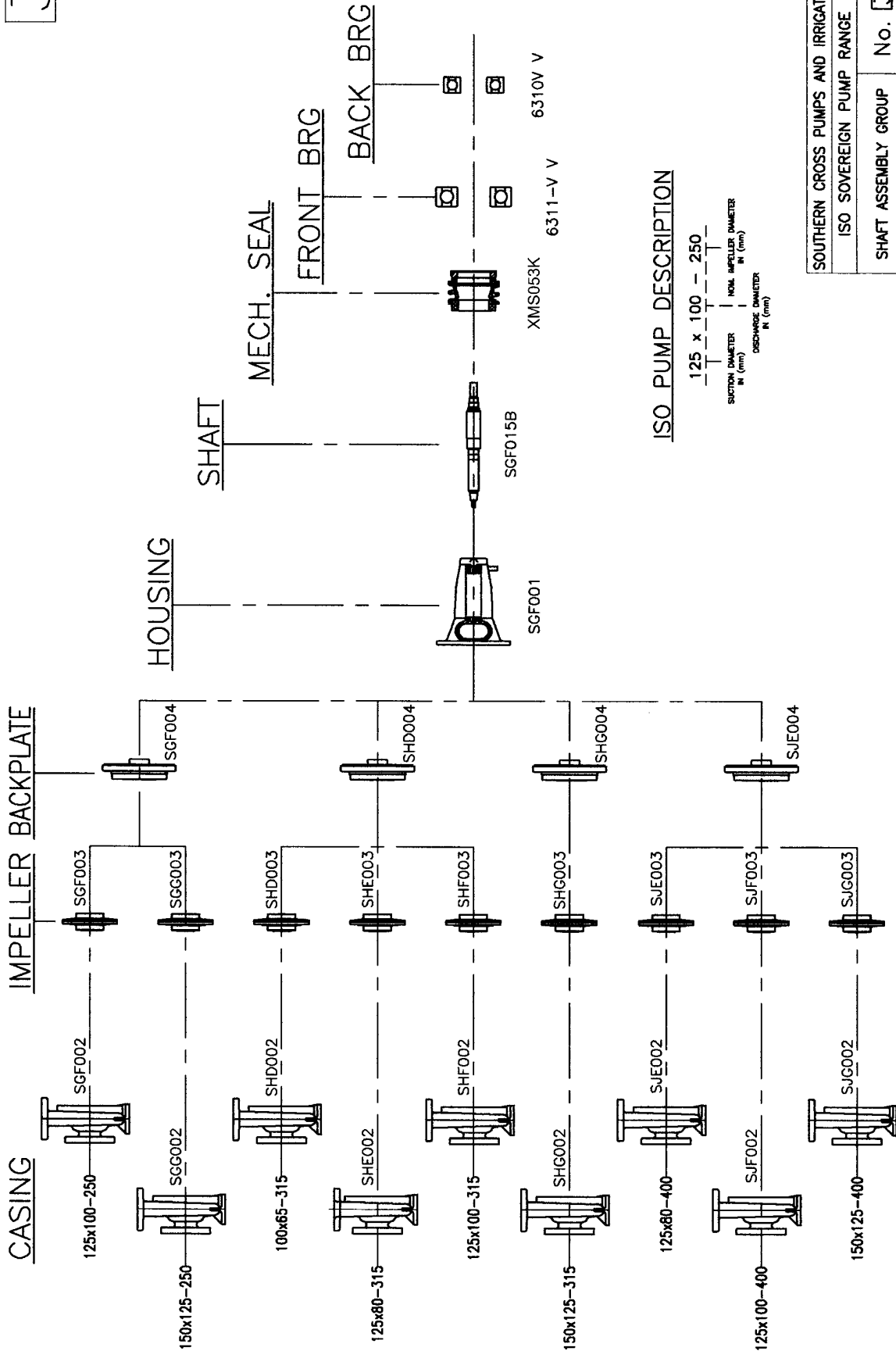


CENTRIFUGAL PUMPS

ISO SOVEREIGN

No. 3 SHAFT MODULE

3



SOUTHERN CROSS PUMPS AND IRRIGATION	
ISO SOVEREIGN PUMP RANGE	
SHAFT ASSEMBLY GROUP	No. 3

**CENTRIFUGAL PUMPS****ISO SOVEREIGN****No. 3 SHAFT MODULE**

Code:

PSGF3**PSGG3****PSHD3**

Model:

**125x100-
250****150x125-
250****100x65-
315**

Illus No.	Description	Material	Part no.	Part no.	Part no.
1	Bearing Housing	Cast Iron	SGF001	SGF001	SGF001
-	Safety Guard - Left	Galvanised Mild Steel	SGF310	SGF310	SGF310
-	Safety Guard - Right	Galvanised Mild Steel	SGF310	SGF310	SGF310
2	Volute Casing - Table E	Cast Iron	SGF002	SGG002	SHD002
3	Impeller	Cast Iron	SGF003	SGG003	SHD003
3	Impeller	ZF Bronze	SGF053	SGG053	SHD053
4	Backplate - Mech Seal	Cast Iron	SGF004	SGF004	SHD004
6	Bearing Cover	Cast Iron	SGF006	SGF006	SGF006
7	Impeller Lock Washer	316SS	SGF007B	SGF007B	SGF007B
8	Support Foot	Mild Steel	SGF008	SGG008	SGF008
14	Water Slinger	Rubber	SGF014	SGF014	SGF014
15	Pump Shaft	431SS	SGF015B	SGF015B	SGF015B
21	Mechanical Seal	53mm Carbon / Ceramic / Nitrile / 316ss	XMS053K	XMS053K	XMS053K
46	Impeller Nut	316SS	SGF046B	SGF046B	SGF046B
102	Pulley Key	Key Steel	SGF102	SGF102	SGF102
E	Volute Drain Plug	Mild Steel - Zinc Plated	489069004	489069006	489069004
F	Impeller Key	Key Steel	432900210	432900210	432900210
G	Casing O-ring	Nitrile Rubber	383002279	383002279	383002279
H	Backplate to Casing Bolt	H/T Steel	-	-	-
I	Brg Hsg to Backplate Bolt	H/T Steel	-	-	-
J	Bearing - Impeller End	(6311) Deep Groove Ball Bearing VVCM	477100115	477100115	477100115
K	Dust Seal - Impeller End	(PR8296) Oil Seal	382005071	382005071	382005071
L	Brg Cover to Brg Hsg Bolt	H/T Steel	406102510	406102510	406102510
M	Dust Seal - Pump End	(PR8265) Oil Seal	382005070	382005070	382005070
N	Bearing - Pump End	(6310) Deep Groove Ball Bearing VVCM	477100105	477100105	477100105
O	Support Foot to Brg Hsg Bolt	H/T Steel	387148035	387148035	387148035
P	Brg Hsg to Casing Bolt	H/T Steel	387146045	387146045	387146045
Q	Discharge Flange Plug	Mild Steel - Zinc Plated	489069004	498069004	489069002
R	Inlet Flange Plug	Mild Steel - Zinc Plated	489069004	489069004	489069002

Optional Wear Rings

A	Wear Ring - Backplate	ZF Bronze	SGF027	SGF027	SFF027
B	Wear Ring - Impeller Rear	ZF Bronze	SGF026	SGF026	SFF026
C	Wear Ring - Impeller Front	ZF Bronze	SGF026	SGF026	SFF026
D	Wear Ring - Volute Casing	ZF Bronze	SGF027	SGF027	SFF027

Optional Packed Gland

4	Backplate - Packed Gland	Cast Iron	SGF011	SGF011	SHD011
-	Packed Gland Kit (Includes Shaft Sleeve Kit)		PSGF65	PSGF65	PSGF65
-	Shaft Sleeve Kit (Includes Packing Ring Set)		PSGF60	PSGF60	PSGF60
-	Packing Ring Set (5)		SGF023	SGF023	SGF023

Overhaul Kits

	Mechanical Seal & O-Ring Kit		ISO3900	ISO3900	ISO3900
	Seal & Bearing Kit		ISO3901	ISO3901	ISO3901

**CENTRIFUGAL PUMPS****ISO SOVEREIGN****No. 3 SHAFT MODULE**

Code:

PSHE3**PSHF3****PSHG3**

Model:

125x80-315**125x100-315****150x125-315**

Illus No.	Description	Material	Part no.	Part no.	Part no.
1	Bearing Housing	Cast Iron	SGF001	SGF001	SGF001
-	Safety Guard - Left	Galvanised Mild Steel	SGF310	SGF310	SGF310
-	Safety Guard - Right	Galvanised Mild Steel	SGF310	SGF310	SGF310
2	Volute Casing - Table E	Cast Iron	SHE002	SHF002	SHG002
3	Impeller	Cast Iron	SHE003	SHF003	SHG003
3	Impeller	ZF Bronze	SHE053	SHF053	SHG053
4	Backplate - Mech Seal	Cast Iron	SHD004	SHD004	SHG004
6	Bearing Cover	Cast Iron	SGF006	SGF006	SGF006
7	Impeller Lock Washer	316SS	SGF007B	SGF007B	SGF007B
8	Support Foot	Mild Steel	SGG008	SGG008	SHG008
14	Water Slinger	Rubber	SGF014	SGF014	SGF014
15	Pump Shaft	431SS	SGF015B	SGF015B	SGF015B
21	Mechanical Seal	53mm Carbon / Ceramic / Nitrile / 316ss	XMS053K	XMS053K	XMS053K
46	Impeller Nut	316SS	SGF046B	SGF046B	SGF046B
102	Pulley Key	Key Steel	SGF102	SGF102	SGF102
E	Volute Drain Plug	Mild Steel - Zinc Plated	489069004	489069006	489069006
F	Impeller Key	Key Steel	432900210	432900210	432900210
G	Casing O-ring	Nitrile Rubber	383002279	383002279	383002279
H	Backplate to Casing Bolt	H/T Steel	-	-	-
I	Brg Hsg to Backplate Bolt	H/T Steel	-	-	-
J	Bearing - Impeller End	(6311) Deep Groove Ball Bearing VVCM	477100115	477100115	477100115
K	Dust Seal - Impeller End	(PR8296) Oil Seal	382005071	382005071	382005071
L	Brg Cover to Brg Hsg Bolt	H/T Steel	406102510	406102510	406102510
M	Dust Seal - Pump End	(PR8265) Oil Seal	382005070	382005070	382005070
N	Bearing - Pump End	(6310) Deep Groove Ball Bearing VVCM	477100105	477100105	477100105
O	Support Foot to Brg Hsg Bolt	H/T Steel	387148035	387148035	387148135
P	Brg Hsg to Casing Bolt	H/T Steel	387146045	387146045	387146045
Q	Discharge Flange Plug	Mild Steel - Zinc Plated	489069004	489069004	489069004
R	Inlet Flange Plug	Mild Steel - Zinc Plated	489069004	489069004	489069004

Optional Wear Rings

A	Wear Ring - Backplate	ZF Bronze	SFF027	SFF027	SGF027
B	Wear Ring - Impeller Rear	ZF Bronze	SFF026	SFF026	SGF026
C	Wear Ring - Impeller Front	ZF Bronze	SFF026	SFF026	SGF026
D	Wear Ring - Volute Casing	ZF Bronze	SFF027	SFF027	SGF027

Optional Packed Gland

4	Backplate - Packed Gland	Cast Iron	SHD011	SHD011	SHG011
-	Packed Gland Kit (Includes Shaft Sleeve Kit)		PSGF65	PSGF65	PSGF65
-	Shaft Sleeve Kit (Includes Packing Ring Set)		PSGF60	PSGF60	PSGF60
-	Packing Ring Set (5)		SGF023	SGF023	SGF023

Overhaul Kits

	Mechanical Seal & O-Ring Kit		ISO3900	ISO3900	ISO3900
	Seal & Bearing Kit		ISO3901	ISO3901	ISO3901

**CENTRIFUGAL PUMPS****ISO SOVEREIGN****No. 3 SHAFT MODULE**

Code:

PSJE3**PSJF3****PSJG3**

Model:

125x80-400**125x100-400****150x125-400**

Illus No.	Description	Material	Part no.	Part no.	Part no.
1	Bearing Housing	Cast Iron	SGF001	SGF001	SGF001
-	Safety Guard - Left	Galvanised Mild Steel	SGF310	SGF310	SGF310
-	Safety Guard - Right	Galvanised Mild Steel	SGF310	SGF310	SGF310
2	Volute Casing - Table E	Cast Iron	SJE002	SJF002	SJG002
3	Impeller	Cast Iron	SJE003	SJF003	SJG003
3	Impeller	ZF Bronze	SJE053	SJF053	SJG053
4	Backplate - Mech Seal	Cast Iron	SJE004	SJE004	SJE004
6	Bearing Cover	Cast Iron	SGF006	SGF006	SGF006
7	Impeller Lock Washer	316SS	SGF007B	SGF007B	SGF007B
8	Support Foot	Mild Steel	SHG008	SHG008	SJG008
14	Water Slinger	Rubber	SGF014	SGF014	SGF014
15	Pump Shaft	431SS	SGF015B	SGF015B	SGF015B
21	Mechanical Seal	53mm Carbon / Ceramic / Nitrile / 316ss	XMS053K	XMS053K	XMS053K
46	Impeller Nut	316SS	SGF046B	SGF046B	SGF046B
102	Pulley Key	Key Steel	SGF102	SGF102	SGF102
E	Volute Drain Plug	Mild Steel - Zinc Plated	489069006	489069006	489069006
F	Impeller Key	Key Steel	432900210	432900210	432900210
G	Casing O-ring	Nitrile Rubber	383002283	383002283	383002283
H	Backplate to Casing Bolt	H/T Steel	406102561	406102561	406102561
I	Brg Hsg to Backplate Bolt	H/T Steel	406102510	406102510	406102510
J	Bearing - Impeller End	(6311) Deep Groove Ball Bearing VVCM	477100115	477100115	477100115
K	Dust Seal - Impeller End	(PR8296) Oil Seal	382005071	382005071	382005071
L	Brg Cover to Brg Hsg Bolt	H/T Steel	406102510	406102510	406102510
M	Dust Seal - Pump End	(PR8265) Oil Seal	382005070	382005070	382005070
N	Bearing - Pump End	(6310) Deep Groove Ball Bearing VVCM	477100105	477100105	477100105
O	Support Foot to Brg Hsg Bolt	H/T Steel	387148035	387148035	387148035
P	Brg Hsg to Casing Bolt	H/T Steel	-	-	-
Q	Discharge Flange Plug	Mild Steel - Zinc Plated	489069004	489069004	489069004
R	Inlet Flange Plug	Mild Steel - Zinc Plated	489069004	489069004	489069004

Optional Wear Rings

A	Wear Ring - Backplate	ZF Bronze	SGF027	SGF027	SGF027
B	Wear Ring - Impeller Rear	ZF Bronze	SGF026	SGF026	SGF026
C	Wear Ring - Impeller Front	ZF Bronze	SGF026	SGF026	SGF026
D	Wear Ring - Volute Casing	ZF Bronze	SGF027	SGF027	SGF027

Optional Packed Gland

4	Backplate - Packed Gland	Cast Iron	SJE011	SJE011	SJE011
-	Packed Gland Kit (Includes Shaft Sleeve Kit)		PSGF65	PSGF65	PSGF65
-	Shaft Sleeve Kit (Includes Packing Ring Set)		PSGF60	PSGF60	PSGF60
-	Packing Ring Set (5)		SGF023	SGF023	SGF023

Overhaul Kits

	Mechanical Seal & O-Ring Kit		ISO3900	ISO3900	ISO3900
	Seal & Bearing Kit		ISO3901	ISO3901	ISO3901

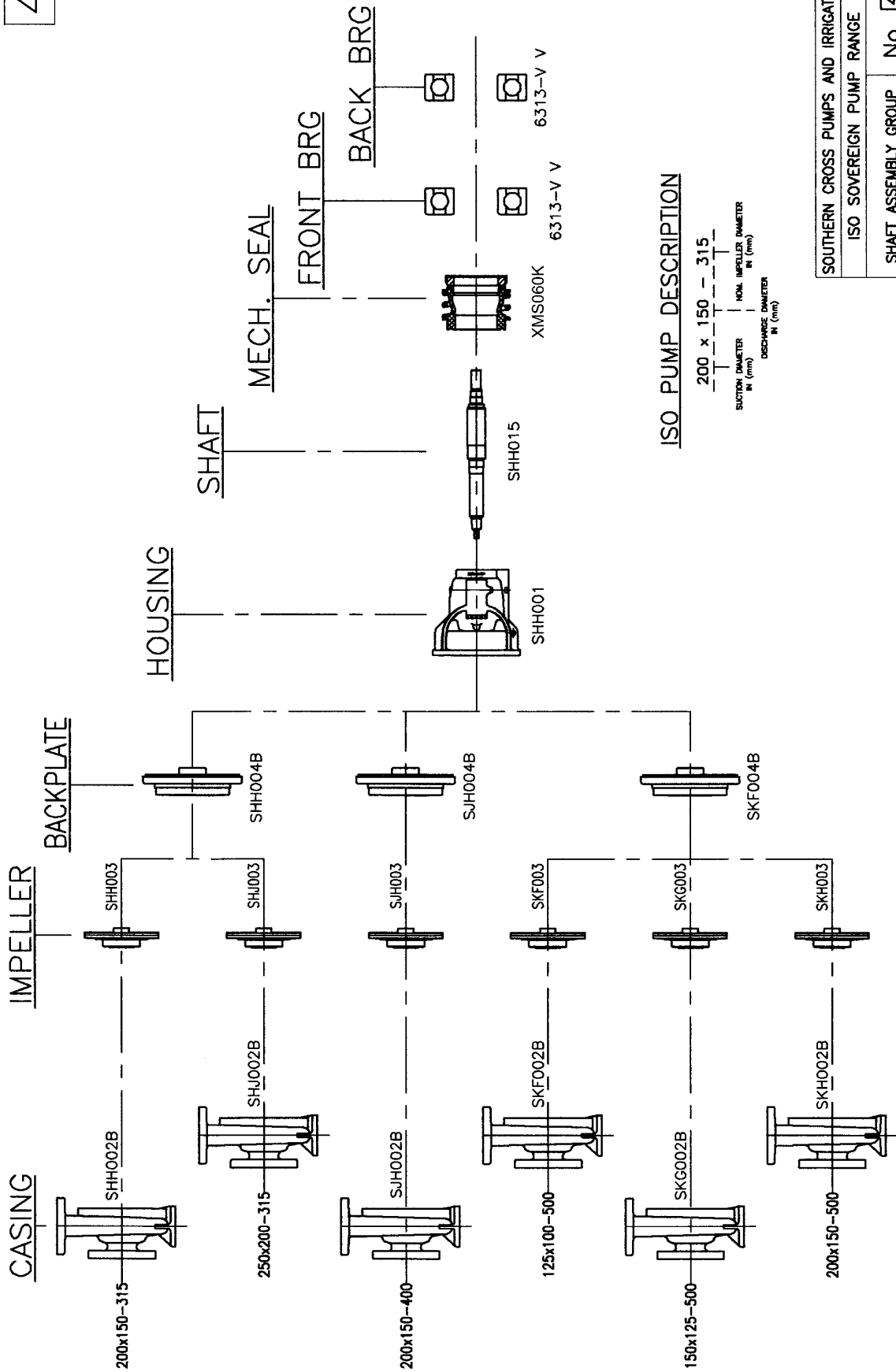


CENTRIFUGAL PUMPS

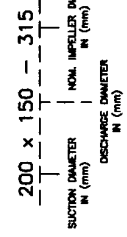
ISO SOVEREIGN

No. 4 SHAFT MODULE
(REAR PUMPOUT VANE IMPELLER DESIGN)

4



ISO PUMP DESCRIPTION



SOUTHERN CROSS PUMPS AND IRRIGATION	
ISO SOVEREIGN PUMP RANGE	
SHAFT ASSEMBLY GROUP	No. 4

**CENTRIFUGAL PUMPS****ISO SOVEREIGN****No. 4 SHAFT MODULE**

Code:

PSHH4**PSHJ4****PSJH4**

Model:

200x150-315**250x200-315****200x150-400**

Illus No.	Description	Material	Part no.	Part no.	Part no.
1	Bearing Housing	Cast Iron	SHH001	SHH001	SHH001
-	Safety Guard - Left	Galvanised Mild Steel	SHH310	SHH310	SHH310
-	Safety Guard - Right	Galvanised Mild Steel	SHH310	SHH310	SHH310
-	Safety Guard Bolt	M12x20 G8.8 ZP	387148020	387148020	387148020
-	Safety Guard Washer	Flat Round M12 ZP	413035012	413035012	413035012
2	Volute Casing - Table E	Cast Iron	SHH002B	SHJ002B	SJH002B
3	Impeller	Cast Iron	SHH003	SHJ003	SJH003
3	Impeller	ZF Bronze	SHH053	SHJ053	SJH053
4	Backplate - Mech Seal	Cast Iron	SHH004B	SHH004B	SJH004B
6	Bearing Cover	Cast Iron	SHH006	SHH006	SHH006
7	Impeller Lock Washer	316SS	SHH007B	SHH007B	SHH007B
8	Support Foot	Mild Steel	SHH008	SHH008	SHH008
14	Water Slinger	Rubber	SHH014	SHH014	SHH014
15	Pump Shaft	431SS	SHH015	SHH015	SHH015
21	Mechanical Seal	60mm Carbon / Ceramic / Nitrile / 316ss	XMS060K	XMS060K	XMS060K
46	Impeller Nut	316SS	SHH046B	SHH046B	SHH046B
102	Pulley Key	Key Steel	SHH102	SHH102	SHH102
E	Volute Drain Plug	Mild Steel - Zinc Plated	489069008	489069008	489069008
F	Impeller Key	Key Steel	432900252	432900252	432900252
G	Casing O-ring	Nitrile Rubber	383002455	383002455	383002463
H	Backplate to Casing Bolt	H/T Steel	-	-	387158050
I	Brg Hsg to Backplate Bolt	H/T Steel	387154050	387154050	387154050
J	Bearing - Impeller End	(6313) Deep Groove Ball Bearing VVCM	477100134	477100134	477100134
K	Dust Seal - Impeller End	(PR3623) Oil Seal	382001040	382001040	382001040
L	Brg Cover to Brg Hsg Bolt	H/T Steel	406102561	406102561	406102561
M	Dust Seal - Pump End	(PR3623) Oil Seal	382001040	382001040	382001040
N	Bearing - Pump End	(6313) Deep Groove Ball Bearing VVCM	477100134	477100134	477100134
O	Support Foot to Brg Hsg Bolt	H/T Steel	387148035	387148035	387148035
P	Brg Hsg to Casing Bolt	H/T Steel	387154050	387154050	-
Q	Discharge Flange Plug	Mild Steel - Zinc Plated	489069006	489069006	489069006
R	Inlet Flange Plug	Mild Steel - Zinc Plated	489069006	489069006	489069006

Optional Wear Rings

A	Wear Ring - Backplate	ZF Bronze	N/A	N/A	N/A
B	Wear Ring - Impeller Rear	ZF Bronze	N/A	N/A	N/A
C	Wear Ring - Impeller Front	ZF Bronze	N/A	N/A	N/A
D	Wear Ring - Volute Casing	ZF Bronze	SHH027	SHJ027	SHH027

Optional Packed Gland

4	Backplate - Packed Gland	Cast Iron	SHH011	SHH011	SJH011
-	Packed Gland Kit (Includes Shaft Sleeve Kit)		PSHH65	PSHH65	PSHH65
-	Shaft Sleeve Kit (Includes Packing Ring Set)		PSHH60	PSHH60	PSHH60
-	Packing Ring Set (5)		SHH023	SHH023	SHH023

Overhaul Kits

	Mechanical Seal & O-Ring Kit		ISO4900	ISO4900	ISO4900
	Seal & Bearing Kit		ISO4901	ISO4901	ISO4901



CENTRIFUGAL PUMPS

ISO SOVEREIGN

No. 4 SHAFT MODULE

Code:

PSKF4

PSKG4

PSKH4

Model:

125x100-500

150x125-500

200x150-500

Illus No.	Description	Material	Part no.	Part no.	Part no.
1	Bearing Housing	Cast Iron	SHH001	SHH001	SHH001
-	Safety Guard - Left	Galvanised Mild Steel	SHH310	SHH310	SHH310
-	Safety Guard - Right	Galvanised Mild Steel	SHH310	SHH310	SHH310
-	Safety Guard Bolt	M12x20 G8.8 ZP	387148020	387148020	387148020
-	Safety Guard Washer	Flat Round M12 ZP	413035012	413035012	413035012
2	Volute Casing - Table E	Cast Iron	SKF002B	SKG002B	SKH002B
3	Impeller	Cast Iron	SKF003	SKG003	SKH003
3	Impeller	ZF Bronze	SKF053	SKG053	SKH053
4	Backplate - Mech Seal	Cast Iron	SKF004B	SKF004B	SKF004B
6	Bearing Cover	Cast Iron	SHH006	SHH006	SHH006
7	Impeller Lock Washer	316SS	SHH007B	SHH007B	SHH007B
8	Support Foot	Mild Steel	SJJ008	SJJ008	SJK008
14	Water Slinger	Rubber	SHH014	SHH014	SHH014
15	Pump Shaft	431SS	SHH015	SHH015	SHH015
21	Mechanical Seal	60mm Carbon / Ceramic / Nitrile / 316ss	XMS060K	XMS060K	XMS060K
46	Impeller Nut	316SS	SHH046B	SHH046B	SHH046B
102	Pulley Key	Key Steel	SHH102	SHH102	SHH102
E	Volute Drain Plug	Mild Steel - Zinc Plated	489069008	489069008	489069008
F	Impeller Key	Key Steel	432900252	432900252	432900252
G	Casing O-ring	Nitrile Rubber	383002470	383002470	383002470
H	Backplate to Casing Bolt	H/T Steel	387158050	387158050	387158050
I	Brg Hsg to Backplate Bolt	H/T Steel	387154050	387154050	387154050
J	Bearing - Impeller End	(6313) Deep Groove Ball Bearing VVCM	477100134	477100134	477100134
K	Dust Seal - Impeller End	(PR3623) Oil Seal	382001040	382001040	382001040
L	Brg Cover to Brg Hsg Bolt	H/T Steel	406102561	406102561	406102561
M	Dust Seal - Pump End	(PR3623) Oil Seal	382001040	382001040	382001040
N	Bearing - Pump End	(6313) Deep Groove Ball Bearing VVCM	477100134	477100134	477100134
O	Support Foot to Brg Hsg Bolt	H/T Steel	387148035	387148035	387148035
P	Brg Hsg to Casing Bolt	H/T Steel	-	-	-
Q	Discharge Flange Plug	Mild Steel - Zinc Plated	489069006	489069006	489069006
R	Inlet Flange Plug	Mild Steel - Zinc Plated	489069006	489069006	489069006

Optional Wear Rings

A	Wear Ring - Backplate	ZF Bronze	N/A	N/A	N/A
B	Wear Ring - Impeller Rear	ZF Bronze	N/A	N/A	N/A
C	Wear Ring - Impeller Front	ZF Bronze	N/A	N/A	N/A
D	Wear Ring - Volute Casing	ZF Bronze	SKF027	SKG027	SHH027

Optional Packed Gland

4	Backplate - Packed Gland	Cast Iron	SKF011	SKF011	SKF011
-	Packed Gland Kit (Includes Shaft Sleeve Kit)		PSHH65	PSHH65	PSHH65
-	Shaft Sleeve Kit (Includes Packing Ring Set)		PSHH60	PSHH60	PSHH60
-	Packing Ring Set (5)		SHH023	SHH023	SHH023

Overhaul Kits

	Mechanical Seal & O-Ring Kit		ISO4900	ISO4900	ISO4900
	Seal & Bearing Kit		ISO4901	ISO4901	ISO4901