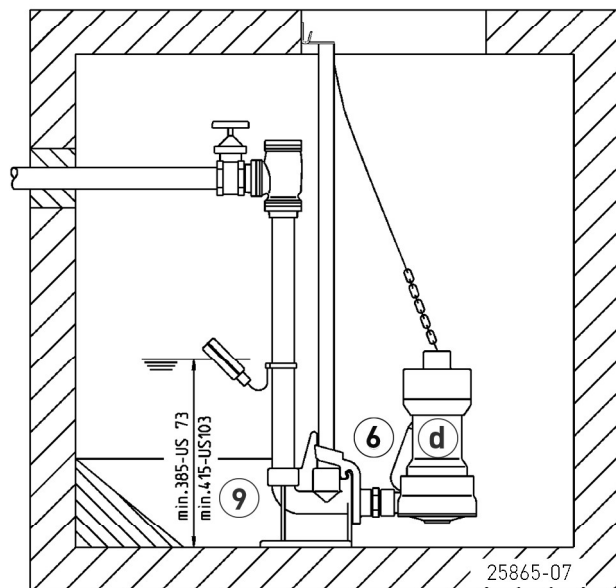


US 73 HE-US 103 HE


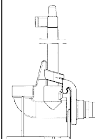
SUBMERSIBLE DRAINAGE PUMP FOR HOT WATER OPERATION

Example of single pump installation with GR



Single unit US-H with GR 40: sump area min. 40x65 cm
Single unit US-H without GR: sump area min. 40x40 cm

MECHANICAL ACCESSORY

			Code No.
	6 Special float	for lower switching points	JP44795
	9 Guide rail system	GR 40	JP25592